

A-10
Rev. 0

TYP. ROOF CONSTRUCTION:
 PRE-FIN METAL ROOF - (VICWEST - ULTRAVIC)
 BITUTHENE MEMBRANE
 1/2" EXT PLYWD DECK W/ H CLIPS
 PRE-FAB WOOD TRUSSES
 R-30 BATT INSULATION
 6 MIL POLY VB
 1/2" GWB CEILING

PRE-FIN METAL EAVESTROUGH & DOWNSPOUT

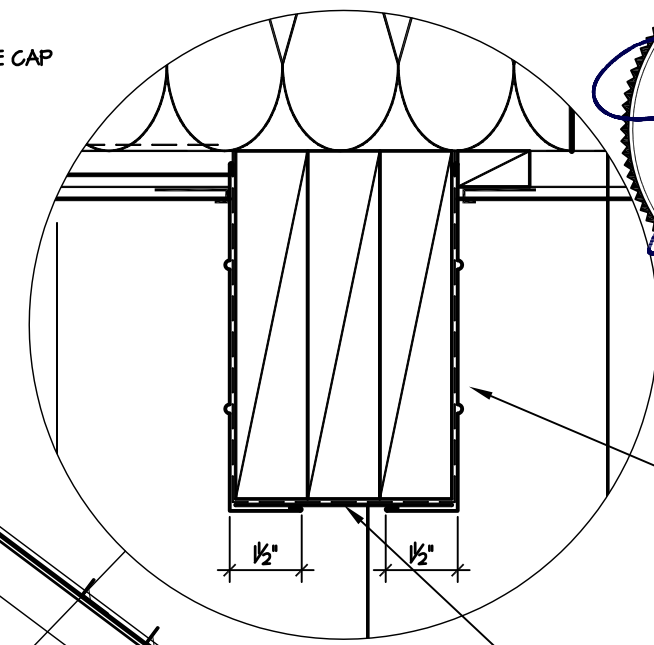
SCREEN WALL CONSTRUCTION - WALL TYPE B:
 - PRE-FINISHED METAL CLADDING (VICWEST DIAMOND RIB)
 - TYVEK AIR BARRIER
 - 1 1/2" RIGID INSULATION W/ HORIZ P.T. STRAPPING / Z GIRT @ 24" O.C.
 - 1/2" EXT. PLYWD SHEATHING
 - 2" x 6" WD STUDS @ 16" O.C.
 - 1/2" EXT. PLYWD SHEATHING
 - TYVEK AIR BARRIER
 - PRE-FINISHED METAL CLADDING (VICWEST DIAMOND RIB)

PRE-FIN METAL DRIP CAP

CEMENT PARING ON GALV. EXPANDED METAL LATH OVER 2" RIGID INSULATION AROUND FULL DEPTH OF THICKEN EDGE SLAB - TYP.

TYPICAL - SLOPE GRADE AWAY FROM BUILDING @ 5% SLOPE MIN FOR 6 FT. AROUND. WELL COMPACTED BELOW 4" TOP SOIL.

PRE-FIN METAL RIDGE CAP



PRE-FIN METAL CLADDING W/ HORIZ MINOR RIBS OVER LINTEL

PRE-FIN METAL FLAT STOCK AT BOTTOM OF LINTEL

U/S TRUSS EL. 108'-1"

PRE-FIN PERFORATED METAL SOFFIT W/ ALL ACCESSORIES & TRIM REQUIRED. PROVIDE STRAPPING AS NECESSARY - TYP.

PRE-FIN METAL ANGLE FLASHING CLADDING OVER BUILD-UP WD BEAM

PRE-FIN METAL SOFFIT OVER 1/2" PLYWD SHEATHING TO U/S OF ROOF TRUSS AT ENTRANCE AREA

PRE-FIN 5" x 5" METAL CORNER TRIM

SLOPE ENTRANCE SLAB DOWN 1" TOWARDS SIDEWALK

CONC. / ASPHALT SIDEWALK OVER COMPACTED GRANULAR FILL PER SITE CONDITION.

T.O. SLAB EL. 100'-0"

HIGH DENSITY RIGID INSULATION UNDER THICKEN EDGE - SEE STRUCT

3" HORIZONTAL RIGID INSULATION EXTENSION AROUND CONCRETE SLAB (INSTALL IN TWO LAYERS W/ JOINTS STAGGERED) - TYPICAL SLOPE TO DRAIN

COMFORT STATION FOR WINNIPEG TRANSIT

BUILDING SECTION

REV. 0 13/11/29 ISSUED FOR TENDER & CONSTRUCTION

SCALE: 1/2" = 1'-0"
DATE: 2013/06/20

Victor Suen Architect

23 Stormont Drive, Winnipeg, MB R3V 1L9
 email: victorsuenarchitect@mts.net
 Ph (204) 228-0230 Fax (204) 261-6341

1
A-10

BLDG SECTION 5-5

SCALE 1/2" = 1'-0"