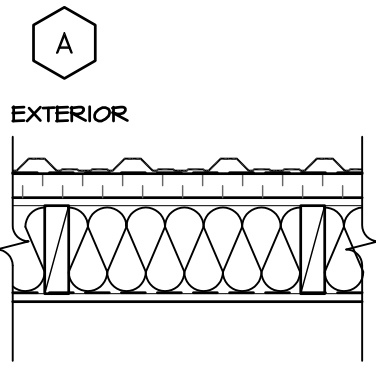
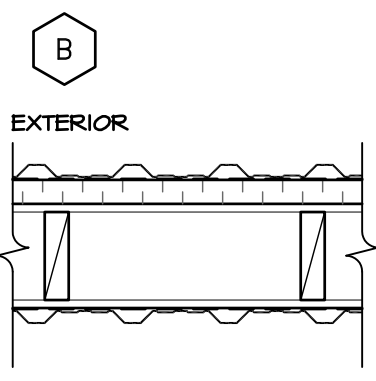


WALL SCHEDULES

EXTERIOR WALL TYPES

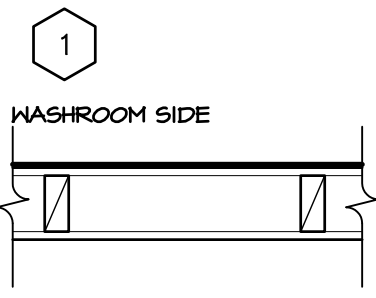


- TYPICAL EXTERIOR CONSTRUCTION:**
- PRE-FINISHED METAL CLADDING (VICWEST DIAMOND RIB)
 - TYVEK AIR BARRIER
 - 1 1/2" RIGID INSULATION W/ HORIZ P.T. STRAPPING / Z GIRTS @ 24" O.C.
 - 1/2" EXT. PLYWD SHEATHING
 - 2" x 6" WD STUDS @ 16" O.C. (SET BASE PLATE ON SILL SEAL GASKET - ETHAFOAM PLATE OR UQUAL)
 - R-20 F.G. BATT INSUL.
 - 6 MIL POLY VB
 - 1/2" GWB
 - SEMI-RIGID PVC WALL PANEL W/ WATER TIGHT TRIM JOINTS (ALTRO WHITEROCK OR EQUAL) (SEE 1/A-14 FOR PANEL TO COVE BASE DETAIL)

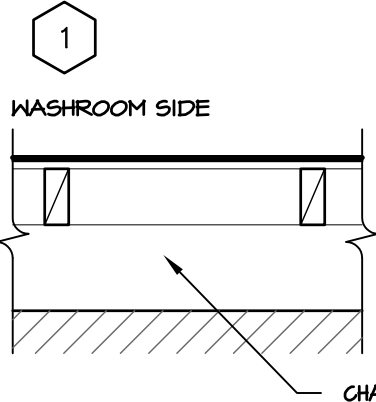


- TYPICAL SOLID SCREEN WALL CONSTRUCTION:**
- PRE-FINISHED METAL CLADDING (VICWEST DIAMOND RIB)
 - TYVEK AIR BARRIER
 - 1 1/2" RIGID INSULATION W/ HORIZ P.T. STRAPPING / Z GIRTS @ 24" O.C.
 - 1/2" EXT. PLYWD SHEATHING
 - 2" x 6" WD STUDS @ 16" O.C.
 - 1/2" EXT. PLYWD SHEATHING
 - TYVEK AIR BARRIER
 - PRE-FINISHED METAL CLADDING (VICWEST DIAMOND RIB)

INTERIOR WALL TYPES

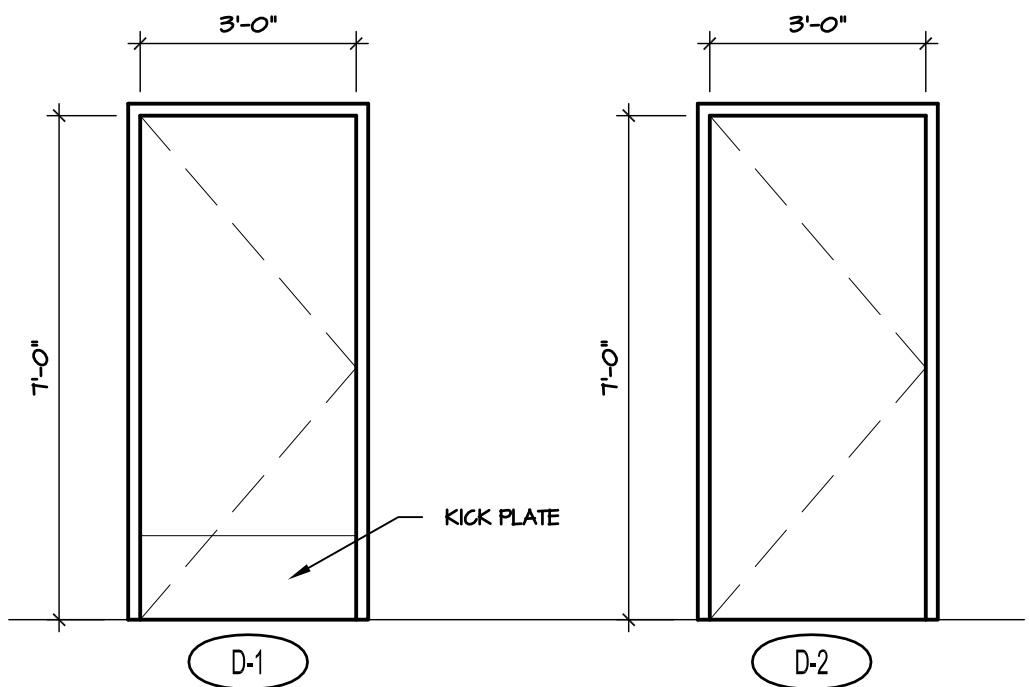


- INTERIOR MECH ROOM WALL CONSTRUCTION:**
- SEMI-RIGID PVC WALL PANEL W/ WATER TIGHT TRIM JOINTS (ALTRO WHITEROCK OR EQUAL) - WASHROOM SIDE
 - 1/2" GWB.
 - 2" x 4" WD STUDS @ 16" O.C.
 - 1/2" MR GWB - MECH ROOM SIDE



- PLUMBING CHASE WALL CONSTRUCTION:**
- SEMI-RIGID PVC WALL PANEL W/ WATER TIGHT TRIM JOINTS (ALTRO WHITEROCK OR EQUAL) - WASHROOM SIDE
 - 1/2" GWB.
 - 2" x 4" WD STUDS @ 16" O.C.
 - PLUMBING CHASE SPACE (PROVIDE VENTING OF CHASE SPACE - SEE MECH.)

DOOR SCHEDULE



D-1
 1 3/4" x 36" x 84" INSULATED HM DOOR W/ POLYURETHANE CORE; WELDED HM FRAME, FOAM FILLED.
 PROVIDE ROUGH IN FOR OWNER SUPPLIED ELEC STRIKE & CARD READER

D-2
 1 3/4" x 36" x 84" HM DOOR; WELDED HM FRAME
 PROVIDE ROUGH IN FOR OWNER SUPPLIED ELEC STRIKE & CARD READER

HARDWARE SET

SET #1.0 - Door: D-1

3 Hinge	TA2314 NRP 114mm x 102mm	US26D	MK
1 Storeroom Lock	L9080L 42B	630	SCH
1 Mortise Lock	L496L	630	SCH
	(Mortise Deadbolt with "OCCUPIED" Indicator)		
1 Electric Strike	(Supplied and installed by owner)	US32D	VD
1 Door Closer	1431 P9	EN	SA
2 Kickplate	K1050 12"	US32D	RO
1 Door Stop	471 EXP	US26D	RO
1 Threshold	171A		PE
1 Gasketing	315CN		PE
1 Gasketing	2891AS		PE
2 Gasketing	316AS		PE
1 Door Contact	(Supplied and installed by owner)		
1 Siren Strobe	(Supplied and installed by owner)		
1 Panic Button	(Supplied and installed by owner)		
1 Card Reader	(Supplied and installed by owner)		

NOTE: Door and frame to be prepared for owner supplied and installed items. Final BEST core by owner.

SET #2.0 - Door: D-2

3 Hinge	TA2714 NRP 114mm x 102mm	US26D	MK
1 Storeroom Lock	L9080L 42B	630	SCH
1 Electric Strike	(Supplied and installed by owner)	US32D	VD
1 Door Closer (surface)	1130 RU	EN	SA
1 Door Stop	441H	US26D	RO
1 Door Contact	(Supplied and installed by owner)		00
1 Card Reader	(Supplied and installed by owner)		HD

NOTE: Door and frame to be prepared for owner supplied and installed items. Final BEST core by owner.



COMFORT STATION FOR WINNIPEG TRANSIT

Victor Suen Architect

SCHEDULES

23 Stormont Drive, Winnipeg, MB R3V 1L9
 email: victorsuenarchitect@mts.net
 Ph (204) 228-0230 Fax (204) 261-6341

A-4

REV. 0 13/11/29 ISSUED FOR TENDER & CONSTRUCTION

SCALE: 1" = 1'-0"
 DATE: 2013/06/20

Rev. 0