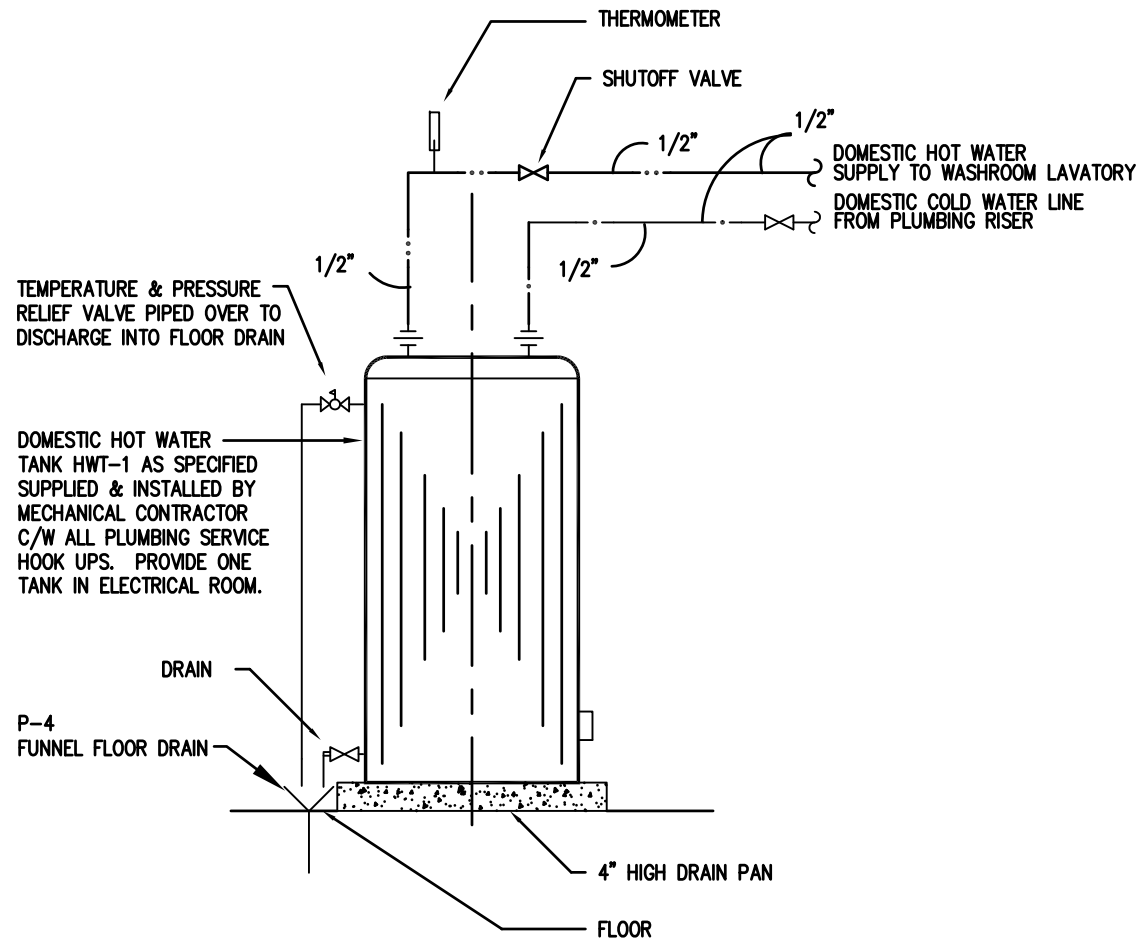


INCOMING WATER SERVICE DETAIL

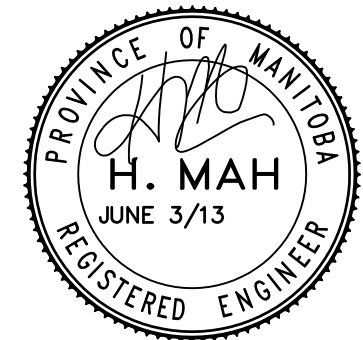
N.T.S.

NOTE
 * X TAMPER-PROOF VALVE



**ELECTRIC HOT WATER HEATER DETAIL
 (ONE SINGLE TANK - ELECTRICAL ROOM)**

NTS



B.P. DESIGNS LTD.
 39 BERUBE PLACE
 WINNIPEG, MANITOBA
 R3X - 1E4
 PHONE: 253-9613
 FAX: 257-2333

COMFORT STATION FOR WINNIPEG TRANSIT

Victor Suen Architect

23 Stormont Drive, Winnipeg, MB R3V 1L9
 email: victorsuenarchitect@mts.net
 Ph (204) 228-0230 Fax (204) 261-6341

MECHANICAL DETAILS

SCALE: 3/8"=1'-0"
 DATE: JUNE 3, 2013

REV. 0 13/11/29 ISSUED FOR TENDER & CONSTRUCTION

M-1.2
 REV. 0