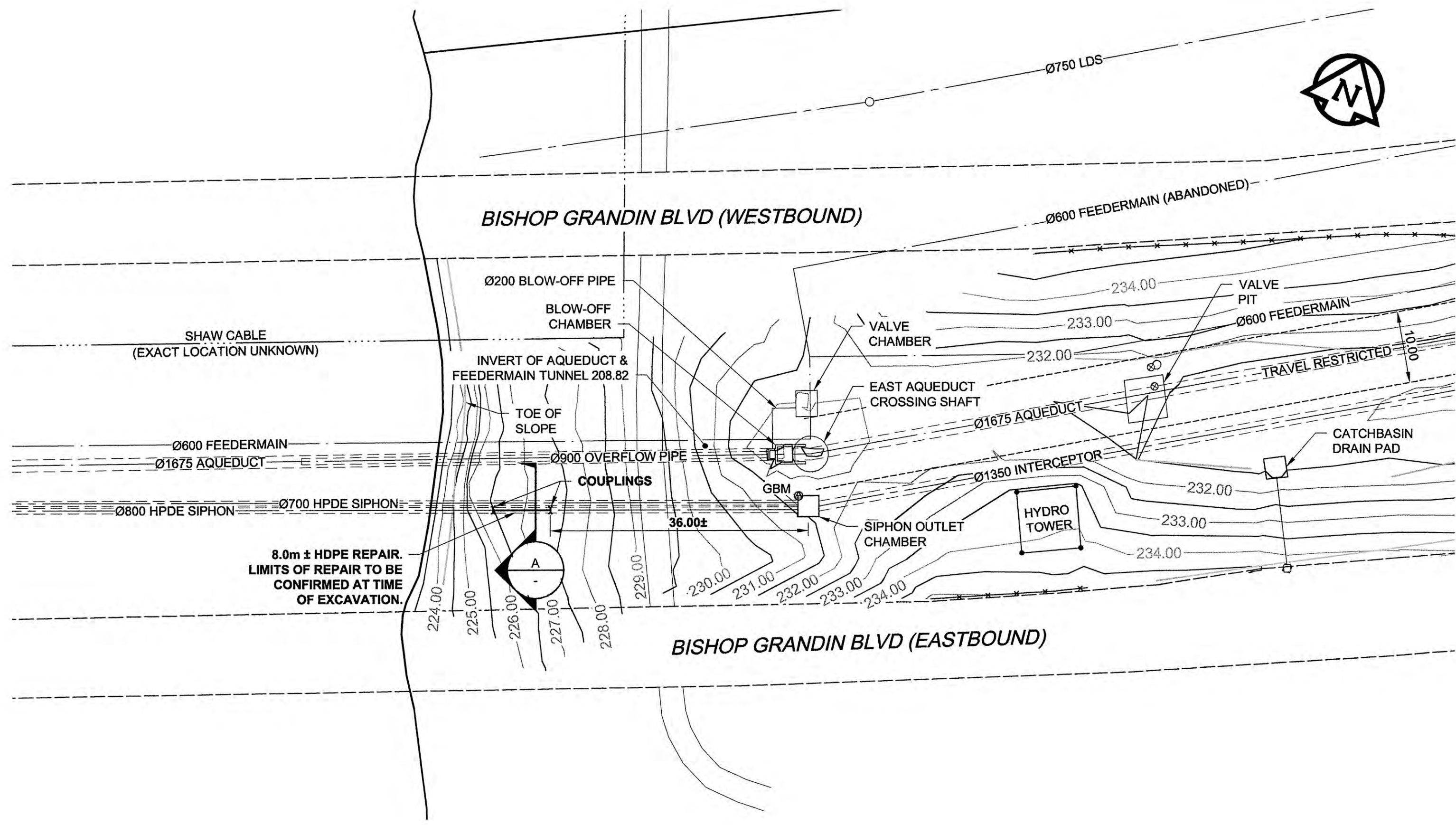
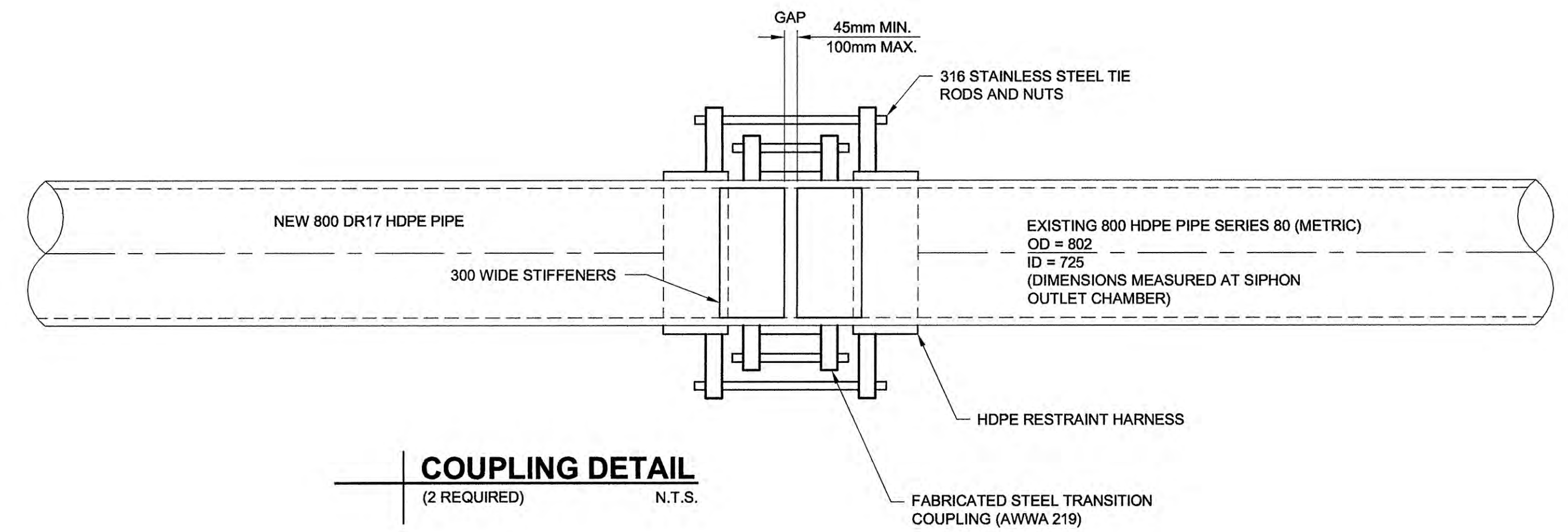
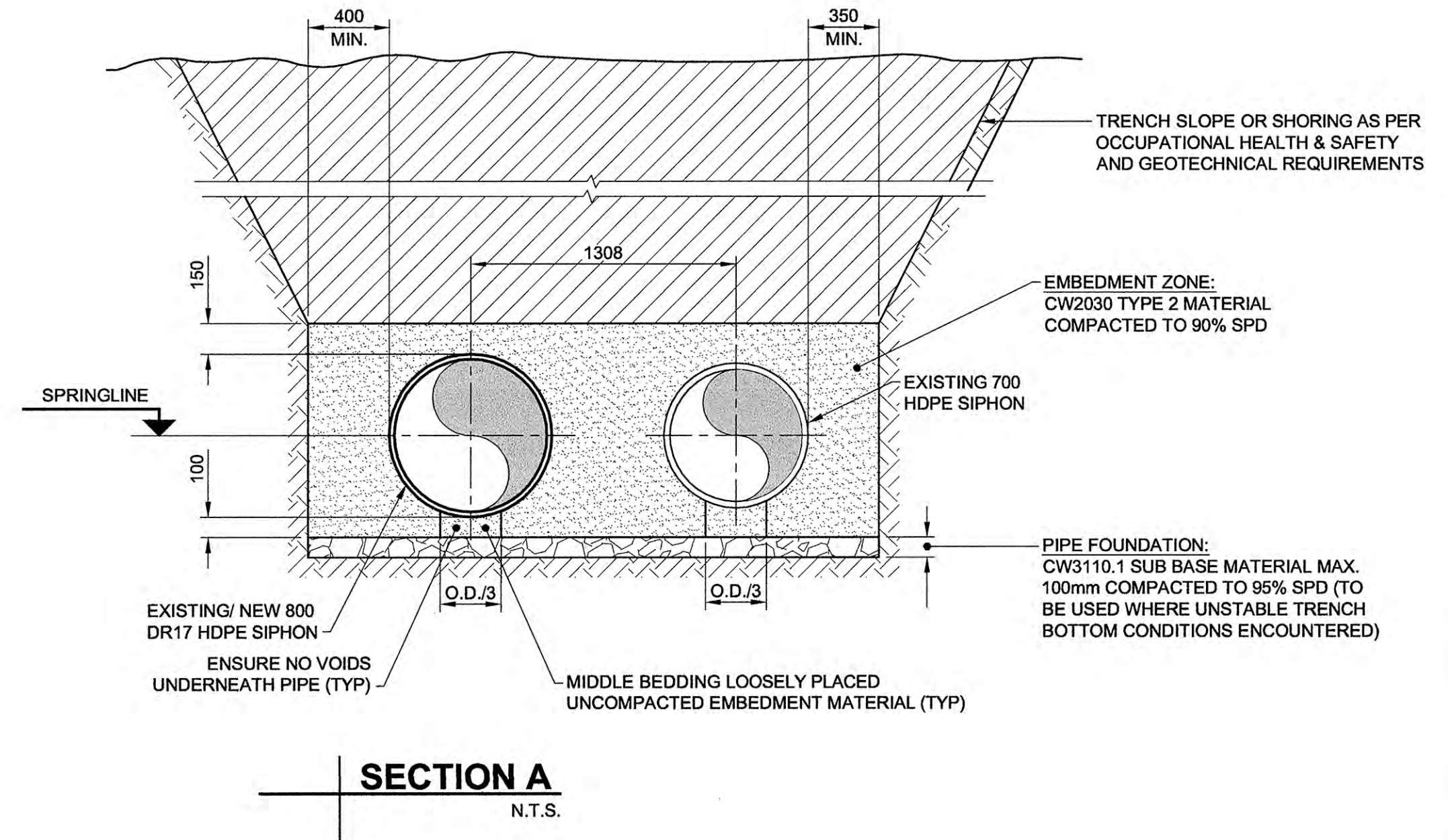
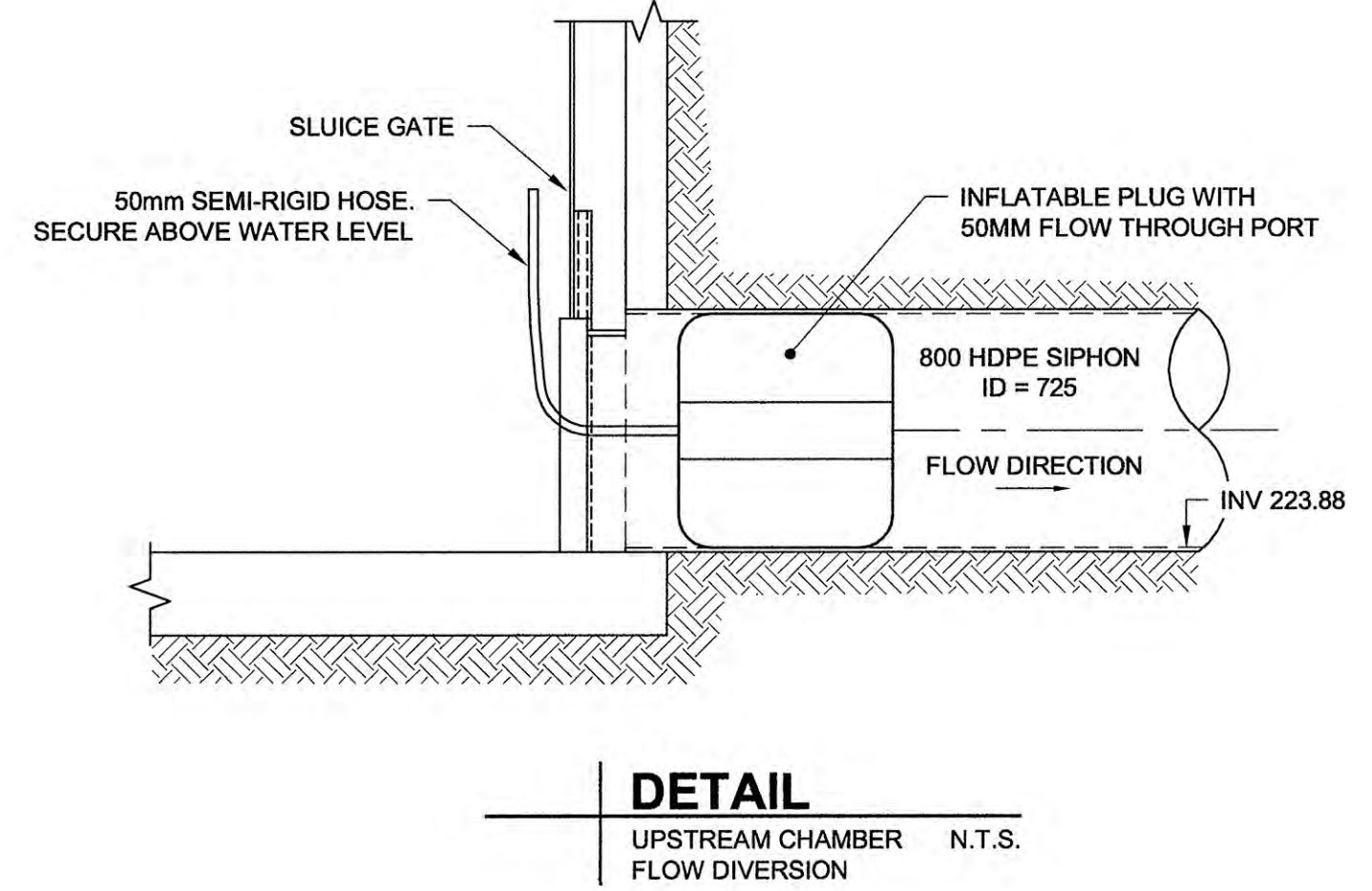
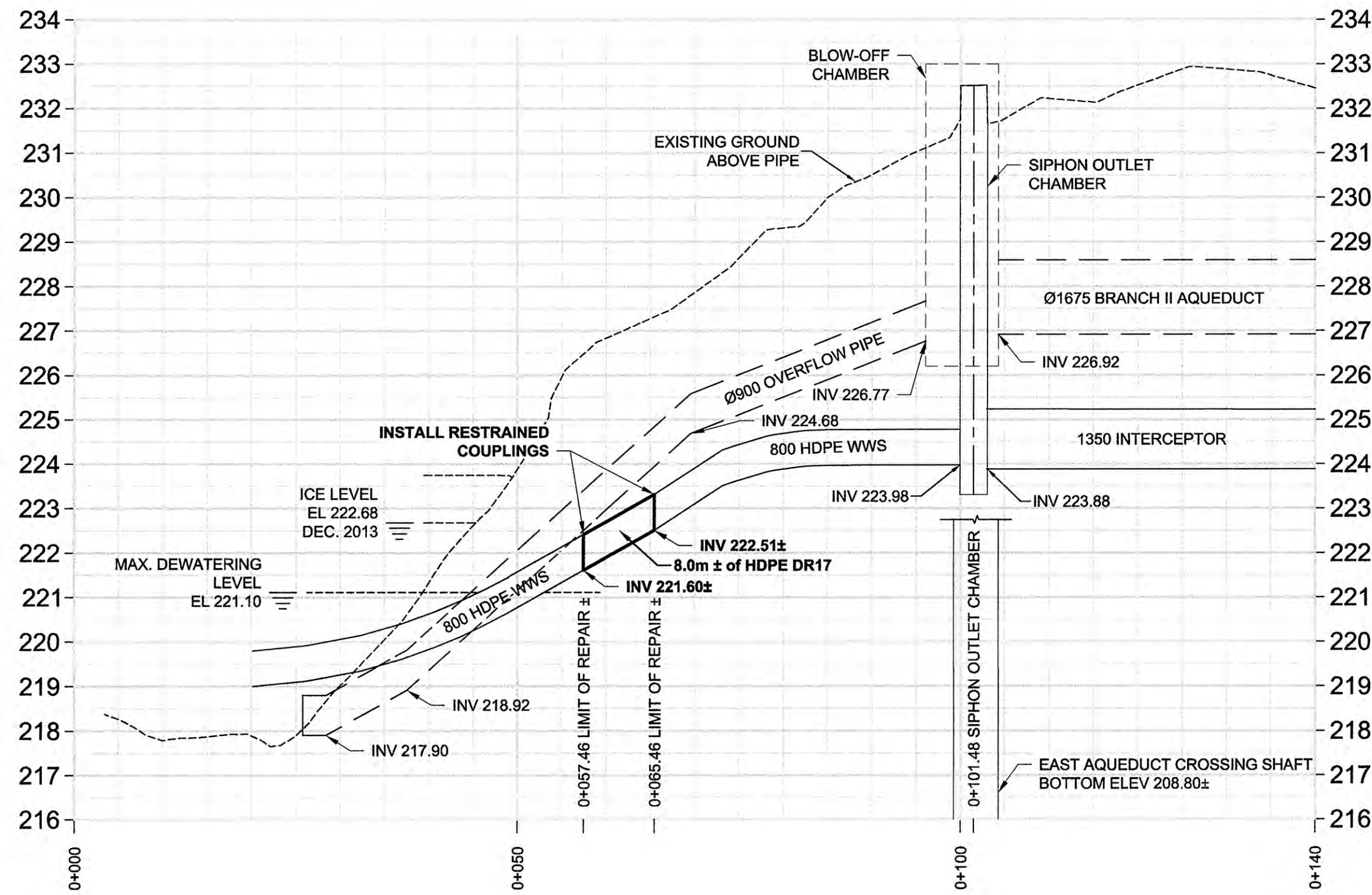


D SIZE 22" x 34" (559mm x 864mm)

PLOT: 12/13/2013 12:59:59 PM

AECOM FILE NAME: 60274906-01-C-1001-ROX.dwg Saved By: [Name]



- NOTES:**
- CONFIRM EXISTING PIPE DIMENSIONS PRIOR TO CUTTING INTO PIPE
 - INTERNAL DIAMETER OF HDPE SIPHON MAY BE CONFIRMED FROM SIPHON OUTLET CHAMBER
 - FLOW BY-PASS:
 - INSTALL INFLATABLE PLUG IN UPSTREAM CHAMBER COMPLETE WITH 50mm AIR PORT
 - INSTALL STOP LOGS IN DOWNSTREAM CHAMBER
 - ENSURE UPSTREAM PORTION OF PIPE IS ADEQUATELY VENTED DURING DEWATERING TO PREVENT THE CREATION OF A VACUUM IN THE SIPHON
 - SLUICE GATE MAY BE CLOSED UPON COMPLETION OF INITIAL DEWATERING (EST. 35m³)
 - REMOVE EXISTING TREE'S AS REQUIRED AND AS PER THE SPECIFICATIONS
 - SEE DWG LD-7277 FOR SILT FENCING REQUIREMENTS

- REQUIRED WORK:**
- EXCAVATE AND EXPOSE EXISTING SIPHONS
 - INSPECT EXISTING 800 SIPHON FOR DAMAGE
 - REPLACE PORTION OF 800 SIPHON IF REQUIRED
 - BED AND BACKFILL SIPHONS
 - RESTORE SITE
 - INSTALL EROSION CONTROL BLANKETS ON DISTURBED AREAS IF DIRECTED BY THE CONTRACT ADMINISTRATOR

APEGM
 Certificate of Authorization
 AECOM Canada Ltd.
 No. 4671 Date: Dec 13/13

BID OPPORTUNITY NO. 1040-2013

REVISION	DATE	DESCRIPTION
0	ISSUED FOR CONSTRUCTION	13/12/13 KLC
1	NO. REVISIONS	YYMMDD BY

SYMBOL	DESCRIPTION	SYMBOL	DESCRIPTION
150 WM	WATERMAIN	150 WM	WATERMAIN
300 LDS	LAND DRAINAGE SEWER	300 LDS	LAND DRAINAGE SEWER
250 WWS	WASTE WATER SEWER	250 WWS	WASTE WATER SEWER
MANHOLE	MANHOLE	MTS	MANHOLE
CATCH BASIN	CATCH BASIN	GAS	GAS
CURB INLET	CURB INLET	TESTHOLE	TESTHOLE
CULVERT	CULVERT	LAMP STANDARD	LAMP STANDARD
PIPE ABANDONMENTS	PIPE ABANDONMENTS	TREE	TREE
SURVEY BAR	SURVEY BAR		
EXISTING	LEGEND - PLAN	NEW	LEGEND - PROFILE

LOCATION APPROVED
 UNDERGROUND STRUCTURES

SUPR. U/G STRUCTURES DATE COMMITTEE

NOTE:
 LOCATION OF UNDERGROUND STRUCTURES AS SHOWN ARE BASED ON THE BEST INFORMATION AVAILABLE. BUT NO GUARANTEE IS GIVEN THAT ALL EXISTING UTILITIES ARE SHOWN OR THAT THE GIVEN LOCATIONS ARE EXACT. CONFIRMATION OF EXISTENCE AND EXACT LOCATION OF ALL SERVICES MUST BE OBTAINED FROM THE INDIVIDUAL UTILITIES BEFORE PROCEEDING WITH CONSTRUCTION.

NO.	REVISIONS	DATE	BY
0	ISSUED FOR CONSTRUCTION	13/12/13	KLC
1	NO. REVISIONS	YYMMDD	BY

AECOM

DESIGNED BY: ADB
 CHECKED BY: [Signature]
 DRAWN BY: JP
 APPROVED BY: [Signature]
 HOR. SCALE: 1:500
 VERT. SCALE: 1:100
 DATE: Dec 14/13

PROFESSIONAL'S SEAL
 PROVINCE OF MANITOBA
 A.D. BRAUN
 Member Dec 13/13
 24453
 CONSULTANT DRAWING NO.
 60274906-01-C-1001-ROX.dwg

THE CITY OF WINNIPEG
 WATER AND WASTE DEPARTMENT

FORT GARRY INTERCEPTOR SIPHON REPAIR CIVIL
 PLAN/ PROFILE & DETAILS

SHEET 1 OF 1
 CITY DRAWING NUMBER
10723
 REV 0