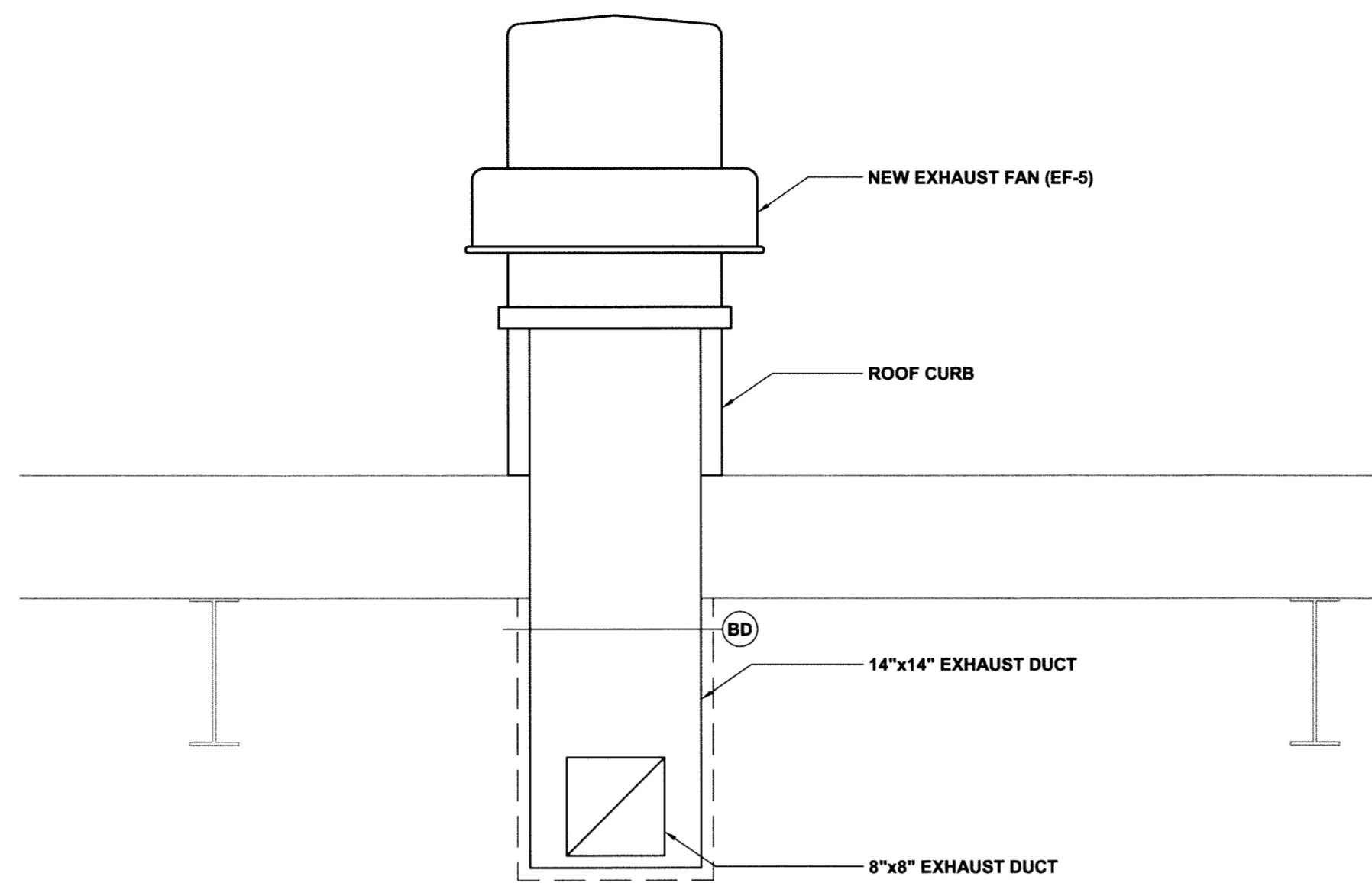


1 EXHAUST FAN EF-4 - ELEVATION
M04 Scale N.T.S.



2 EXHAUST FAN EF-5 - ELEVATION
M04 Scale N.T.S.

LEGEND:

- NEW EQUIPMENT/DUCTWORK
- EXISTING EQUIPMENT/DUCTWORK
- ==== EXTERNALLY INSULATED DUCTWORK
- ⊙ BD BACKDRAFT DAMPER C/W ACCESS DOOR

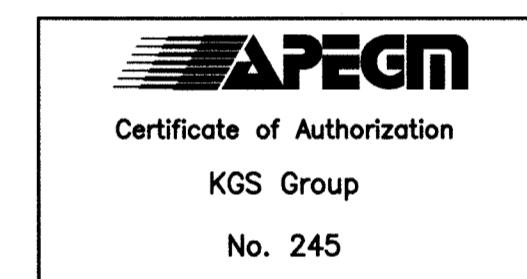
Ownership of Documents:
Drawings and specifications as instruments of service are and shall remain the property of the Architect whether the project for which they are made is executed or not. They are not to be used by the city on other projects or extensions to this project except by agreement in writing and with appropriate compensation to the Architect.

This drawing shall not be scaled. Follow given dimensions only.

ISSUED FOR

0 ISSUED FOR TENDER

SEAL



ARCHITECT / PRIME CONSULTANT

SYNYSHYN
ARCHITECTURE + INTERIOR DESIGN INC.

MANITOBA • ALBERTA
T: 204.947-1100
F: 204.956-5742

603-83 Albert Street info@synyshyn.com
Winnipeg, Manitoba
R3B 1G4 Canada www.synyshyn.com

ENGINEERING CONSULTANT



ENGINEERING CONSULTANT

PROJECT TITLE

**MARGARET GRANT POOL
INTERIOR RENOVATIONS
BID OPPORTUNITY NO.
12-2013**

685 DALHOUSIE DRIVE , Winnipeg , MB

DRAWING TITLE

**MECHANICAL
SECTIONS AND DETAILS**

DESIGNED BY PSS DRAWN BY TJC

ISSUE DATE 13/02/06 REVISION No. 0

PROJECT No. 12-1894-001 DRAWING No. **M06**