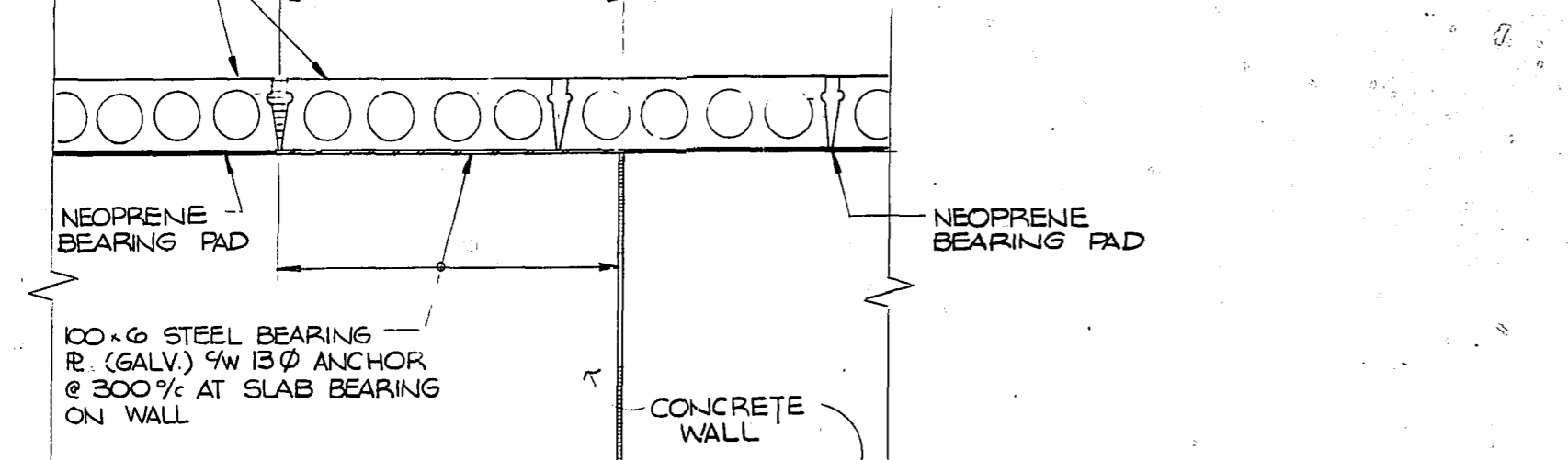


ELEVATION WALL LINE N
1:200

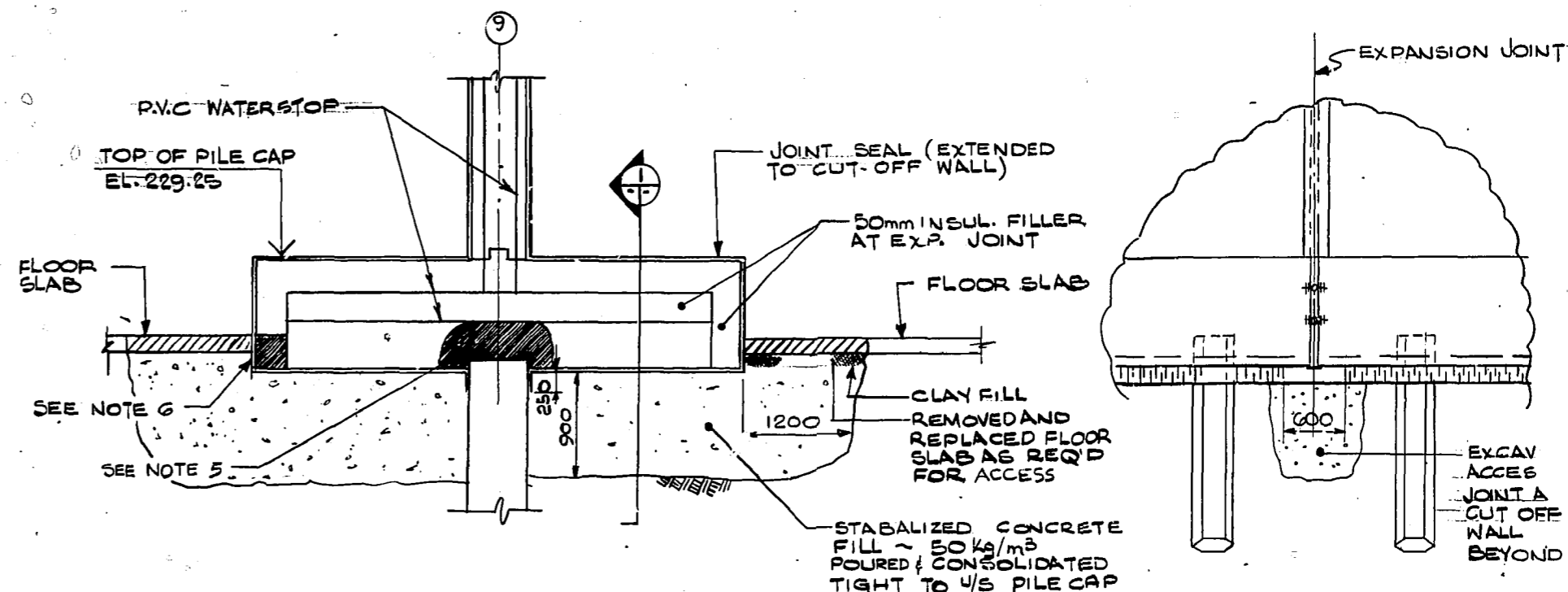
GRID LINE
ROOF EXPANSION JOINT
WALL EXPANSION JOINT
300 HOLLOWCORE SLAB

3000 FROM LINE G	ON LINE 1
600 FROM LINE G	ON LINE 19
1000 FROM LINE G	ON LINE 9 EA. SIDE
4200 FROM LINE 9	ON LINE N

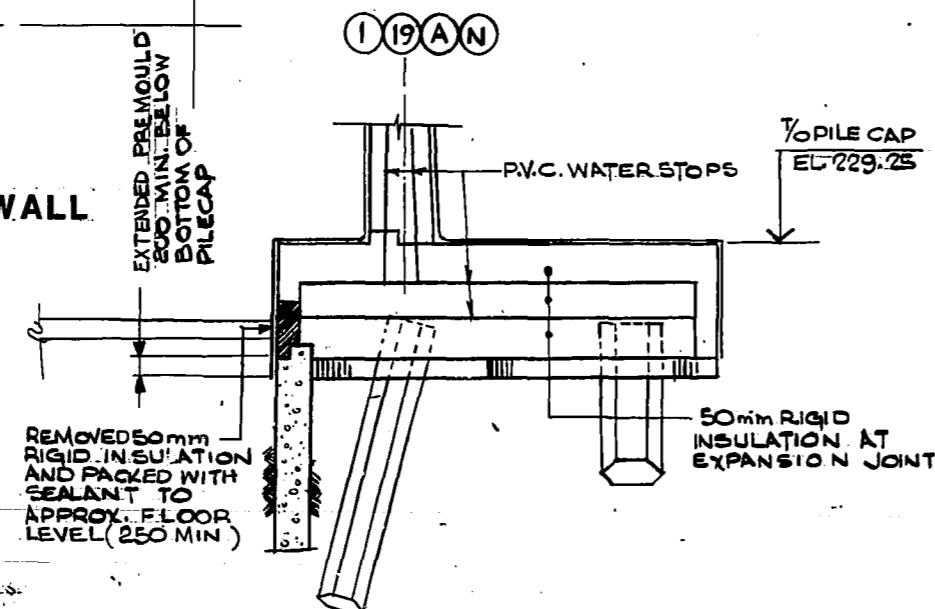


EXPANSION JOINT AT TOP OF WALL

DETAIL
1:20



SECTION THRU DIVIDER WALL AT EXPANSION JOINT



SECTION AT EXPANSION JOINT

(8 EXPANSION JOINTS THUS)

NOTES:

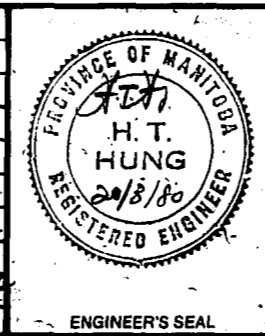
- EXCAVATED TRENCH TO WIDTH AND DEPTH REQUIRED FOR CUT OFF WALL TO UNDISTURBED SOIL ON EACH SIDE OF WALL. SEE DWG. WL-2 FOR SUCTION LINE LOCATION
- REINFORCING STEEL CAGE AND CONCRETE PLACED IMMEDIATELY AFTER TRENCHING
- TYPE 50 SULPHATE RESISTANT CEMENT WAS USED FOR CONCRETE WITH COMPRESSIVE STRENGTH OF 35 MPa @ 28 DAYS
- PRECAST CONCRETE PILES WERE INSTALLED 7 DAYS AFTER CUT OFF WALL WAS POURED.
- REMOVED 50mm RIGID INSULATION JOINT FILLER AS SHOWN. AIR DRIED SURFACES FILL WITH JOINT SEALANT TIGHT TO RIGID INSULATION, WATERSTOP AND CONCRETE
- REMOVED 50mm RIGID INSULATION JOINT FILLER AIR DRIED SURFACES FILL WITH JOINT SEALANT

RECORD DRAWING

METRIC NOTES
WHOLE NUMBERS IND. MILLIMETRES
DECIMALIZED EXPRESSIONS IND. METRES



NO.	REVISIONS	DATE	APP.
3	RECORD DRAWING	NOV 26/80	EEL
2	CONST. RECORD CHANGES	AUG 21/80	EEL
1	WALL LINE N REVISED	APR 23/80	EEL



DESIGNED BY: H.T.H.		DRAWN BY: T.H.	
CHECKED BY:		DATE: MARCH 20, 1980	
APPROVED BY:		DATE: 20/3/80	

THE CITY OF WINNIPEG
WORKS & OPERATIONS DEPARTMENT

WILKES AVENUE RESERVOIR RECONSTRUCTION
WALL - LINE N
RELEASED FOR CONSTRUCTION: DATE: 20/03/80
SCALE: AS NOTED
DRAWING NO: WL-19