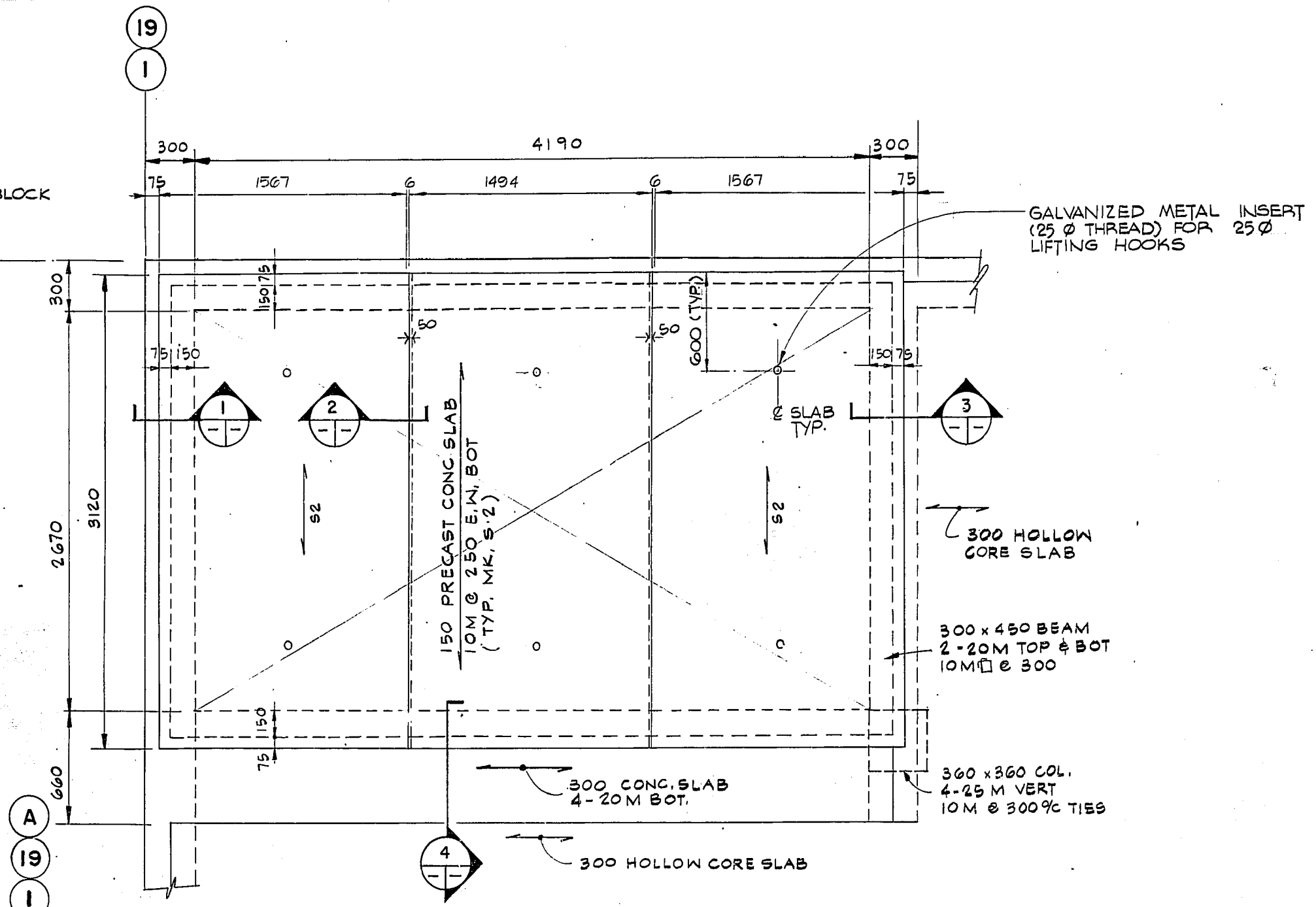


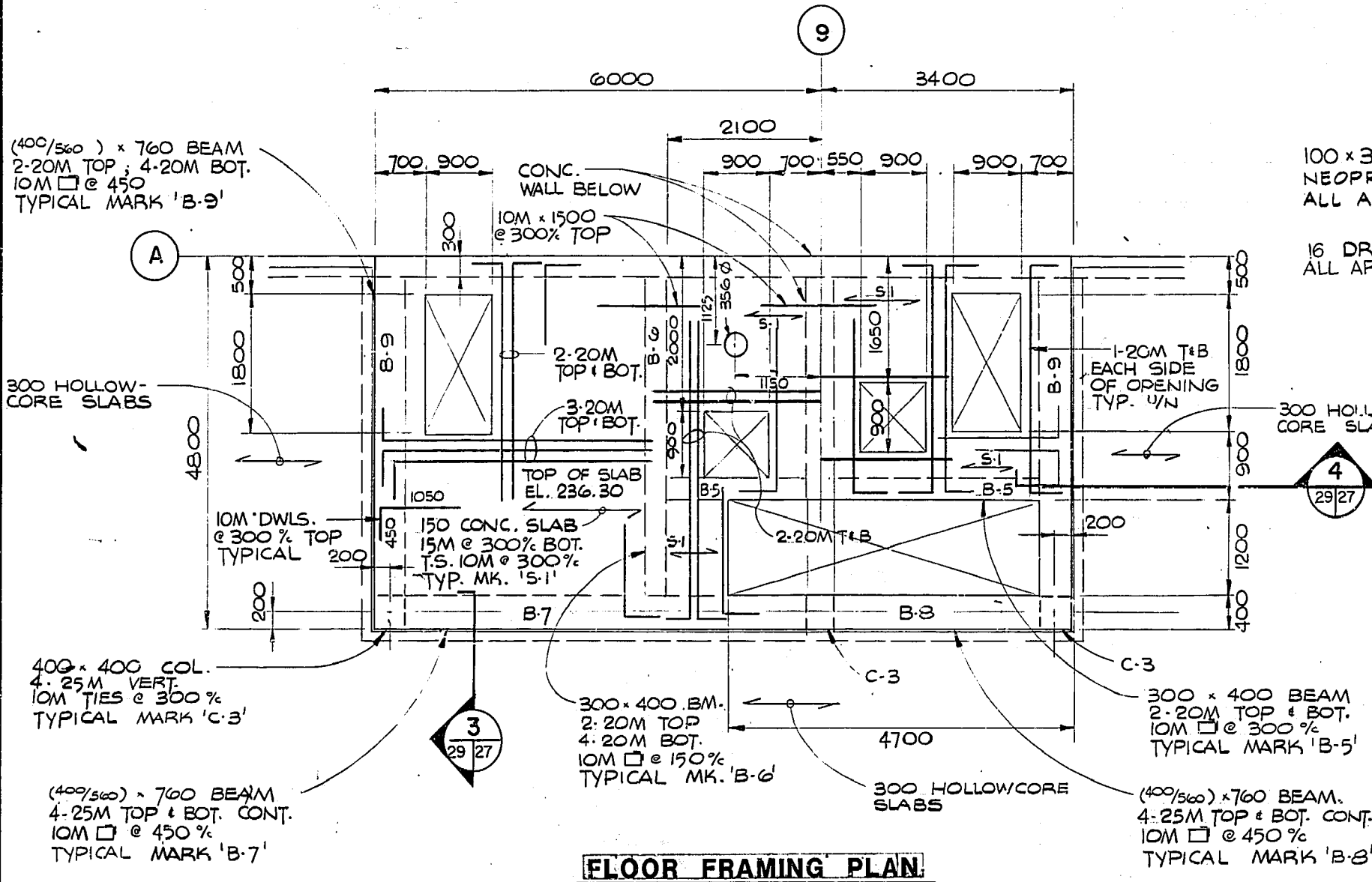
**ENTRANCE HOUSE
ROOF FRAMING PLAN**

1:50



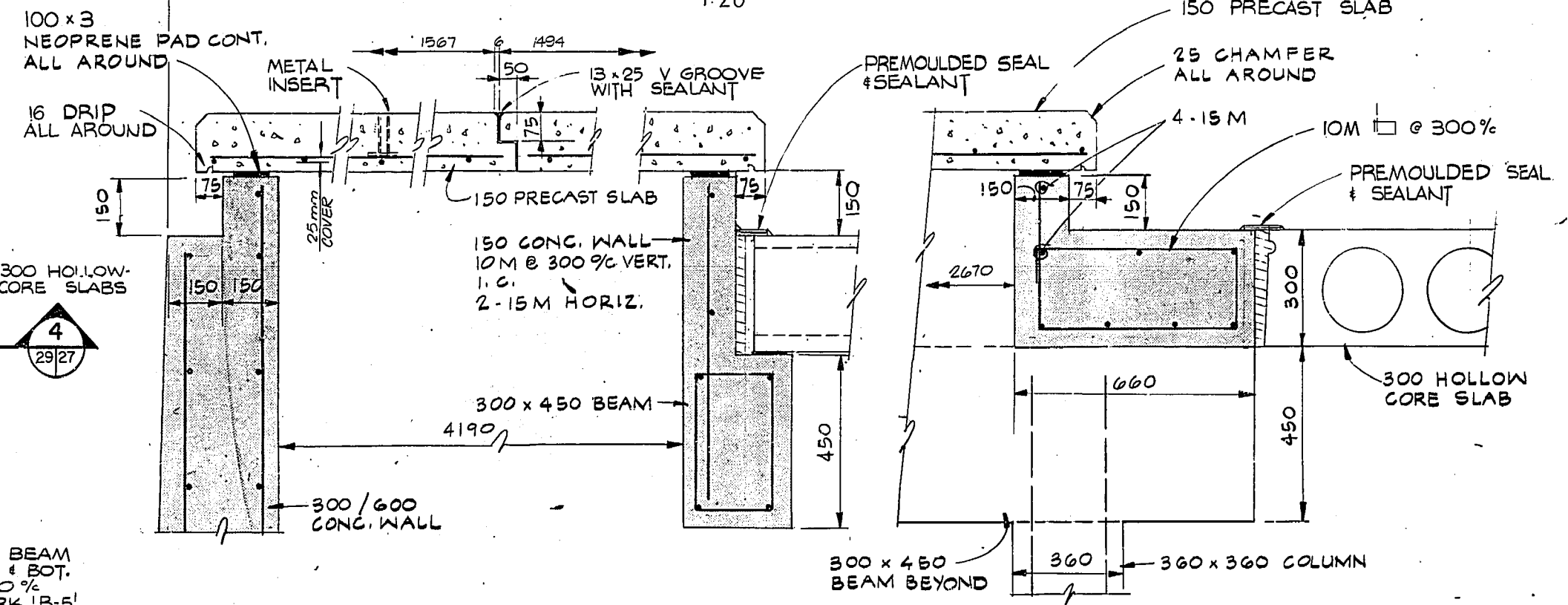
ROOF ACCESS FRAMING PLAN

1:20



FLOOR FRAMING PLAN

1:50



SECTION 1
1:10

SECTION 2
1:10

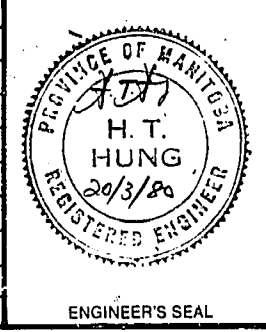
SECTION 3
1:10

SECTION 4
1:10

METRIC NOTES
WHOLE NUMBERS IND. MILLIMETRES
DECIMALIZED EXPRESSIONS IND. METRES



NO.	REVISIONS	DATE	APP.
2	RECORD DRAWING	DEC 1981	SEL
1	ADDENDUM NO. 1	22 APR 82	HL



Underwood McLellan Ltd. Consulting Engineers and Planners	
DESIGNED BY: H.T.H.	DRAWN BY: T.H.
CHECKED BY: <i>[Signature]</i>	DATE: MARCH 20, 1980
APPROVED BY: <i>[Signature]</i>	DATE: 20/3/80

THE CITY OF WINNIPEG
WORKS & OPERATIONS DEPARTMENT
WATERWORKS, WASTE & DISPOSAL DIVISION

WILKES AVENUE RESERVOIR RECONSTRUCTION
ROOF ACCESS DETAILS
ENTRANCE HOUSING,
ROOF AND FLOOR FRAMING
RELEASED FOR CONSTRUCTION DATE: 20/03/80
SCALE: AS NOTED
DRAWING NO: **WIL-27**
REV 2