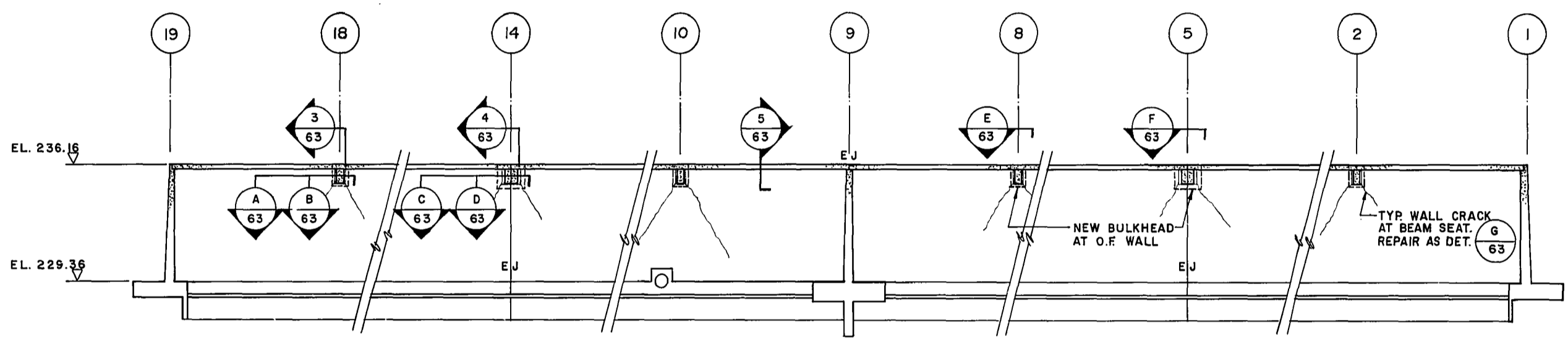
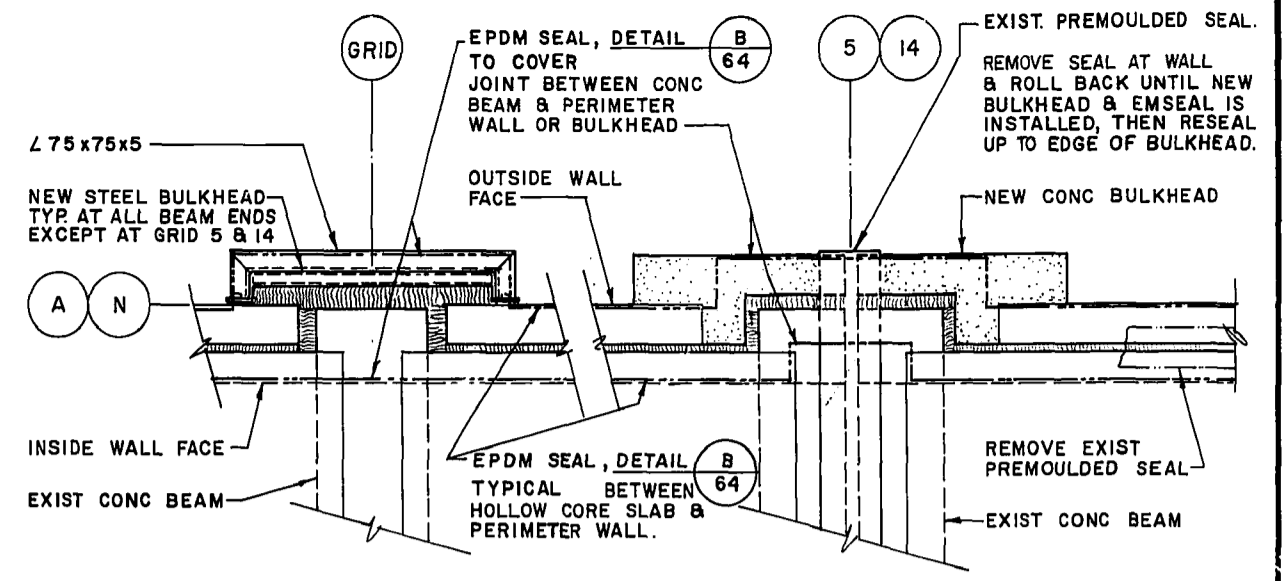


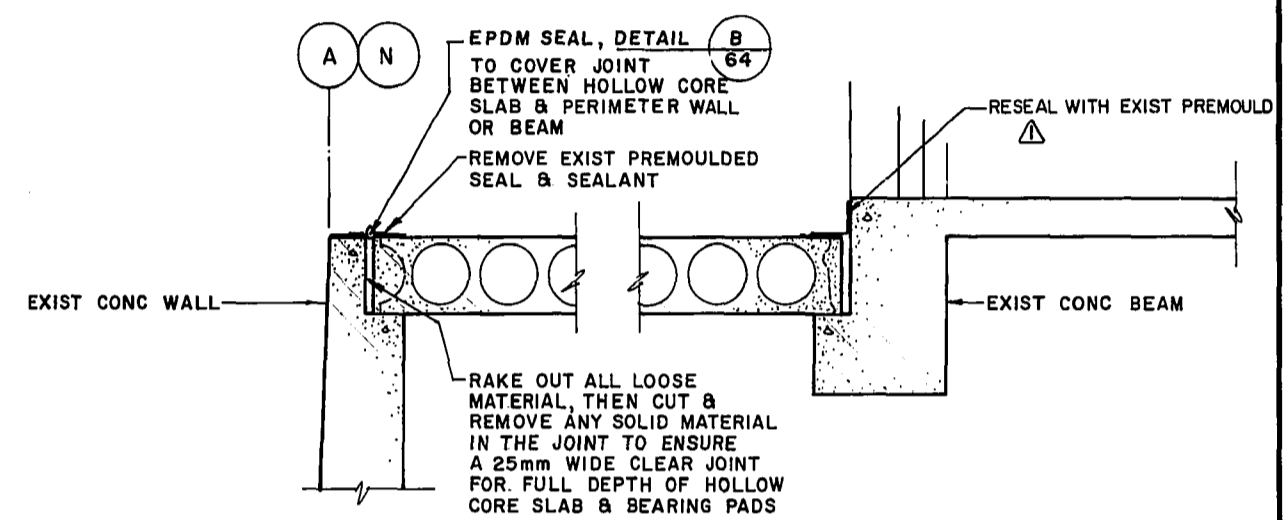
1 PARTIAL ELEVATION WALL LINE A
63 1:200



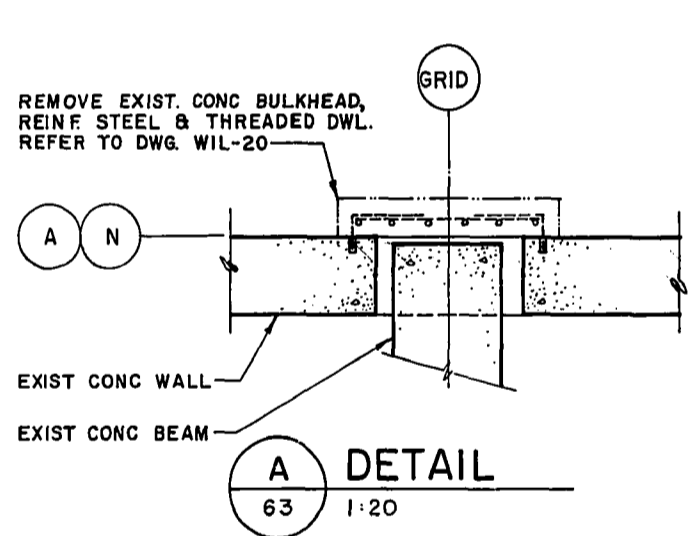
2 PARTIAL ELEVATION WALL LINE N
63 1:200



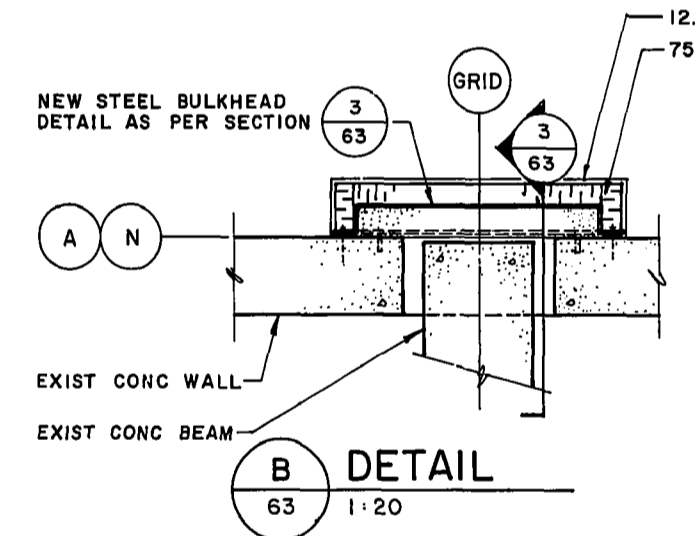
E DETAIL 63 1:20
F DETAIL 63 1:20



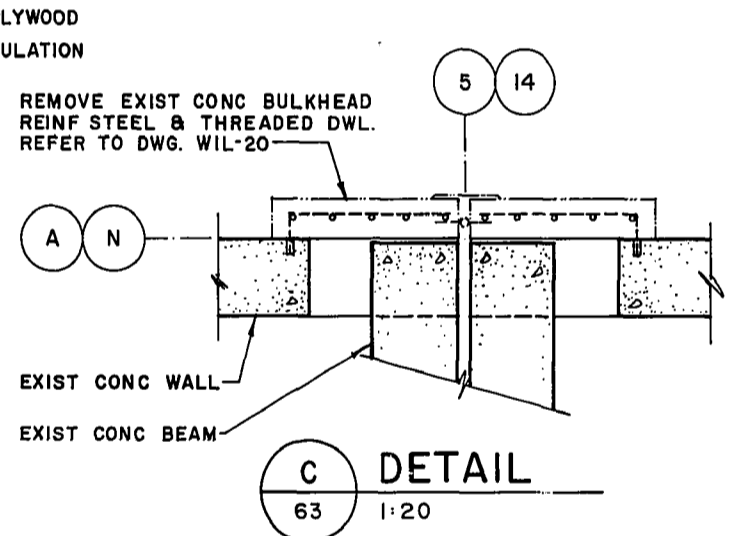
5 SECTION 63 1:20
6 SECTION 63 1:20



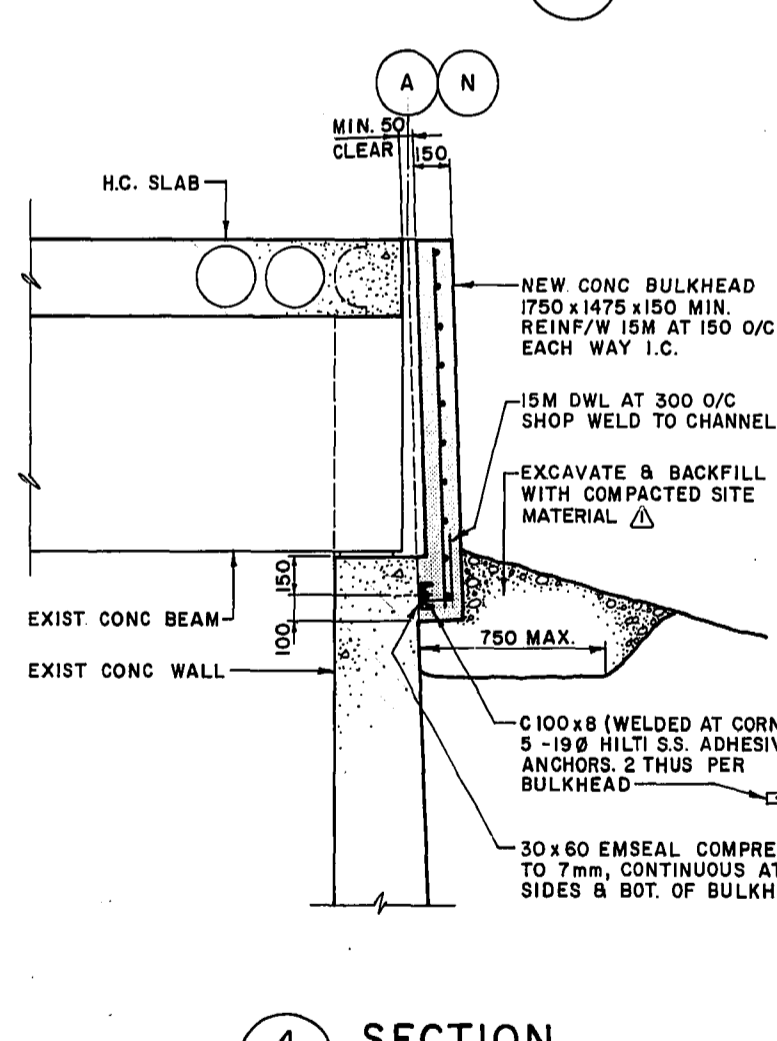
A DETAIL 63 1:20



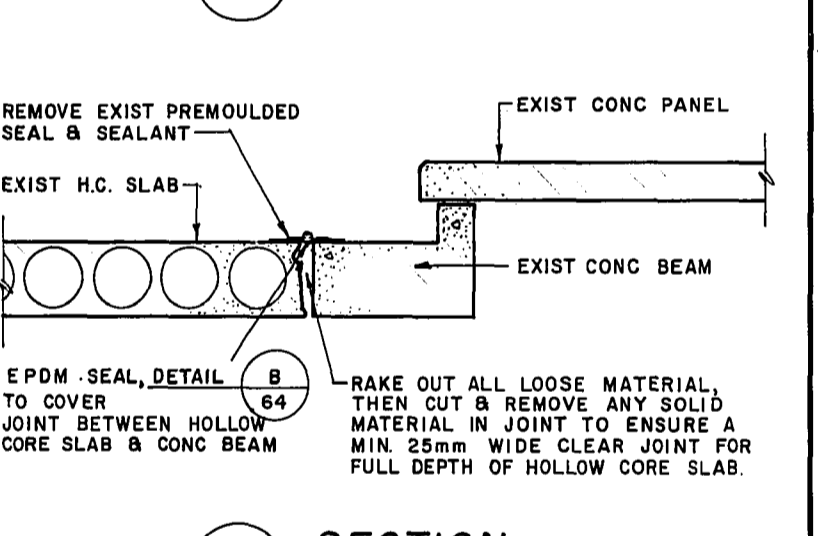
B DETAIL 63 1:20



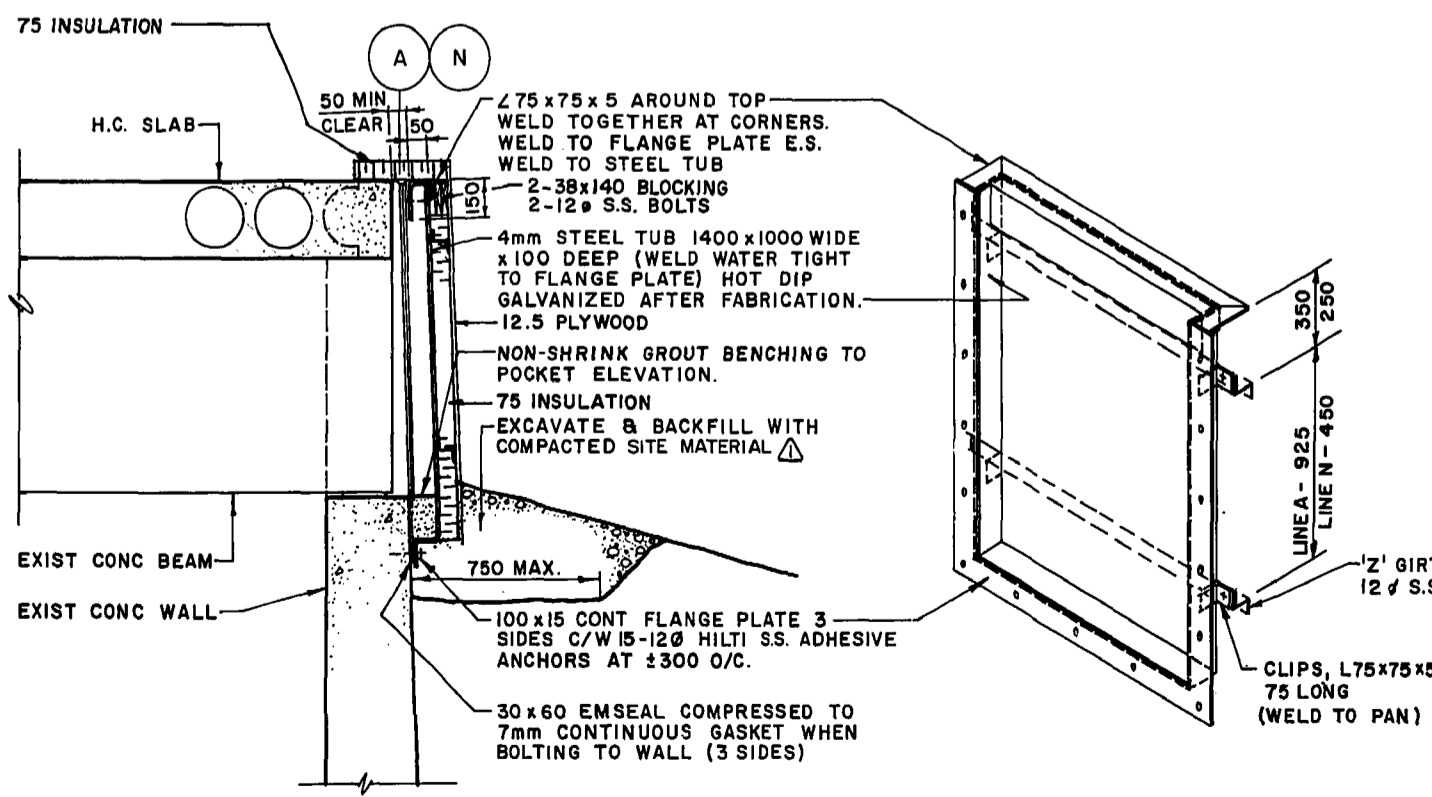
C DETAIL 63 1:20



4 SECTION 63 1:20

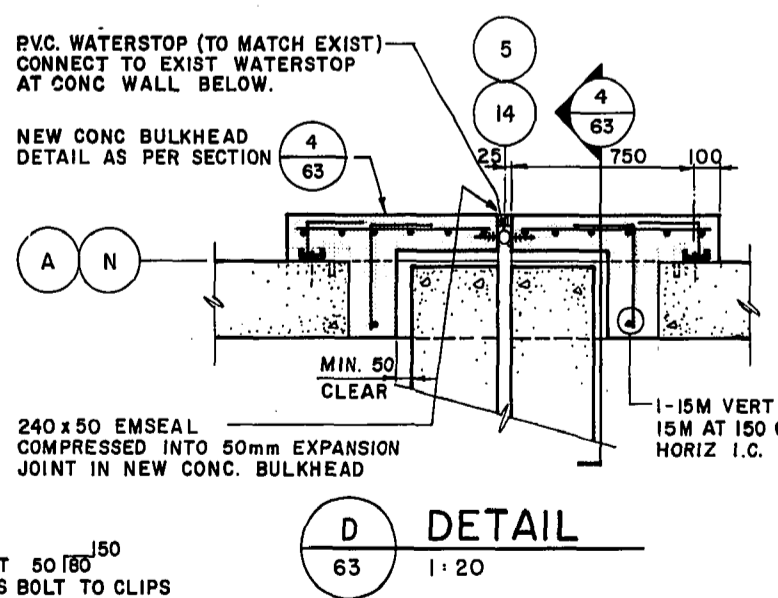


7 SECTION 63 1:20



3 SECTION 63 1:20

ISOMETRIC VIEW OF STEEL BULKHEAD



D DETAIL 63 1:20

RECORD DRAWING

LOCATION APPROVED UNDERGROUND STRUCTURES

SUPV U/G STRUCTURES COMMITTEE DATE

NOTE: LOCATION OF UNDERGROUND STRUCTURES AS SHOWN ARE BASED ON THE BEST INFORMATION AVAILABLE BUT NO GUARANTEE IS GIVEN THAT ALL EXISTING UTILITIES ARE SHOWN OR THAT THE GIVEN LOCATIONS ARE EXACT CONFIRMATION OF EXISTENCE AND EXACT LOCATION OF ALL SERVICES MUST BE OBTAINED FROM THE INDIVIDUAL UTILITIES BEFORE PROCEEDING WITH CONSTRUCTION

B.M. ELEV	
DESIGNED BY	S. B. B.
DRAWN BY	K. J. L.
HOR SCALE NOTED	VERTICAL
DATE	1991-01-31
NO REVISIONS	

UMA Engineering Ltd.
1479 Buffalo Place, Winnipeg, Manitoba, Canada R3T 1L7

DESIGNED BY S. B. B.
CHECKED BY [Signature]
DRAWN BY K. J. L.
APPROVED BY [Signature]
HOR SCALE NOTED VERTICAL
RELEASED FOR CONSTRUCTION [Signature]
DATE 1991 02 15

ENGINEER'S SEAL
PROVINCE OF MANITOBA
BISWANGER
REGISTERED PROFESSIONAL ENGINEER
CONSULTANT DRAWING NO.
41 13 0265 259 02

THE CITY OF WINNIPEG
WORKS AND OPERATIONS DIVISION
WATERWORKS, WASTE & DISPOSAL DIVISION

WILKES RESERVOIR
PHASE II CONSTRUCTION
STRUCTURAL WORKS

GRID A & N WALL REPAIR DETAILS

CITY DRAWING NUMBER
SHEET 3 OF 5
WIL-63

P.D. No. 91-19

216 #RE 10317