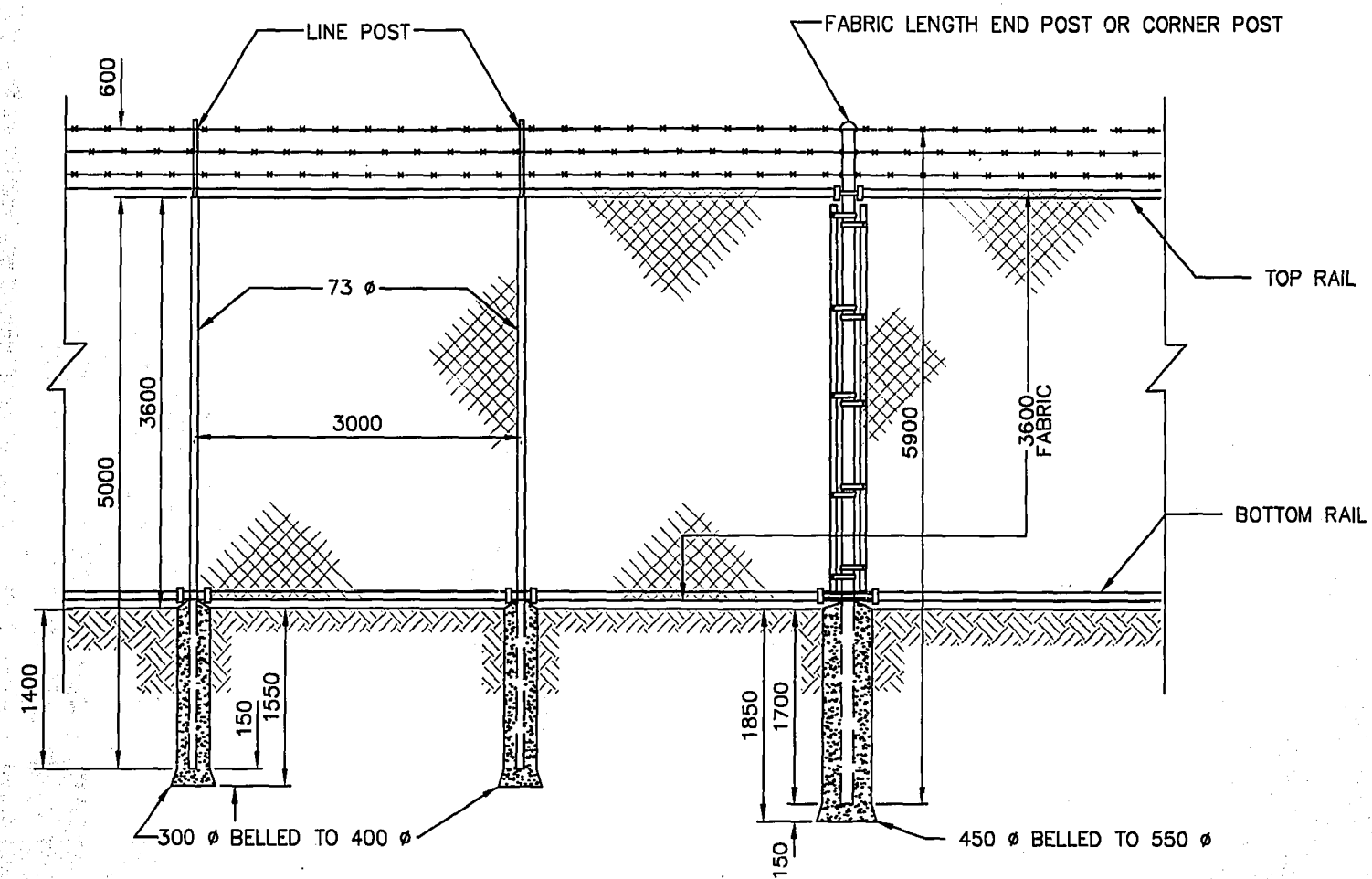
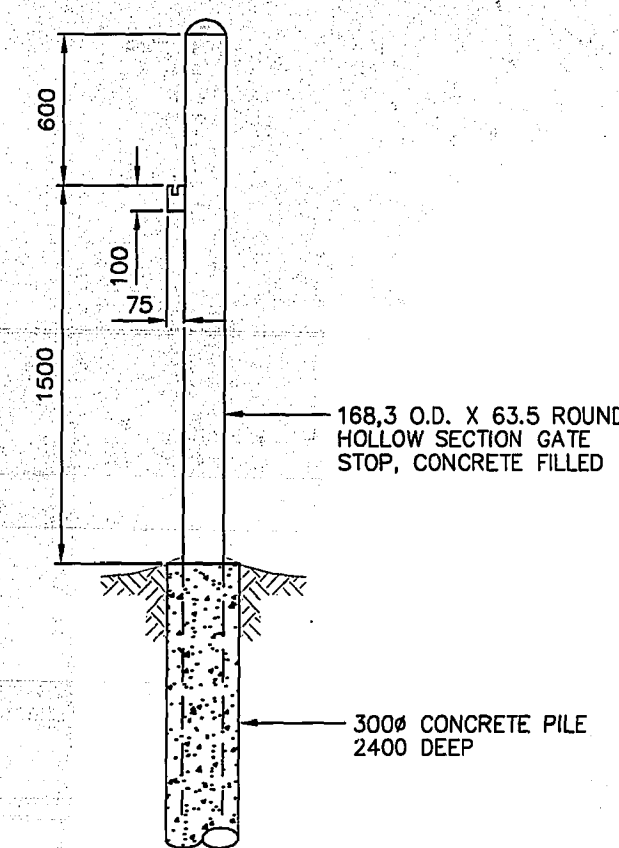
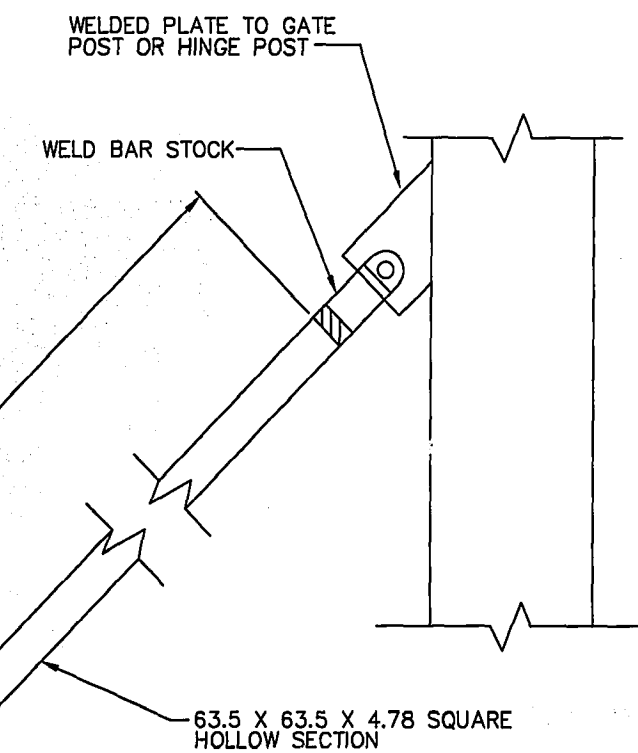


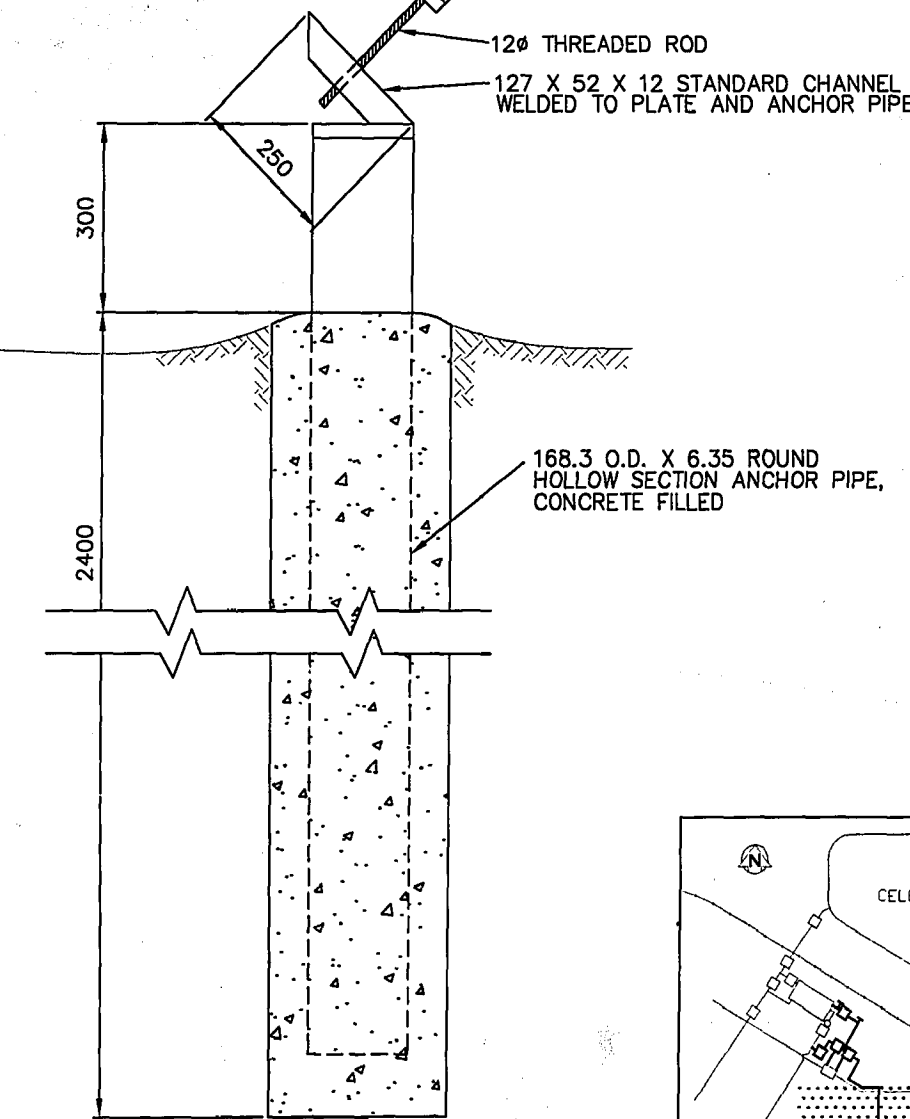
GATE DETAILS
SCALE 1 : 50



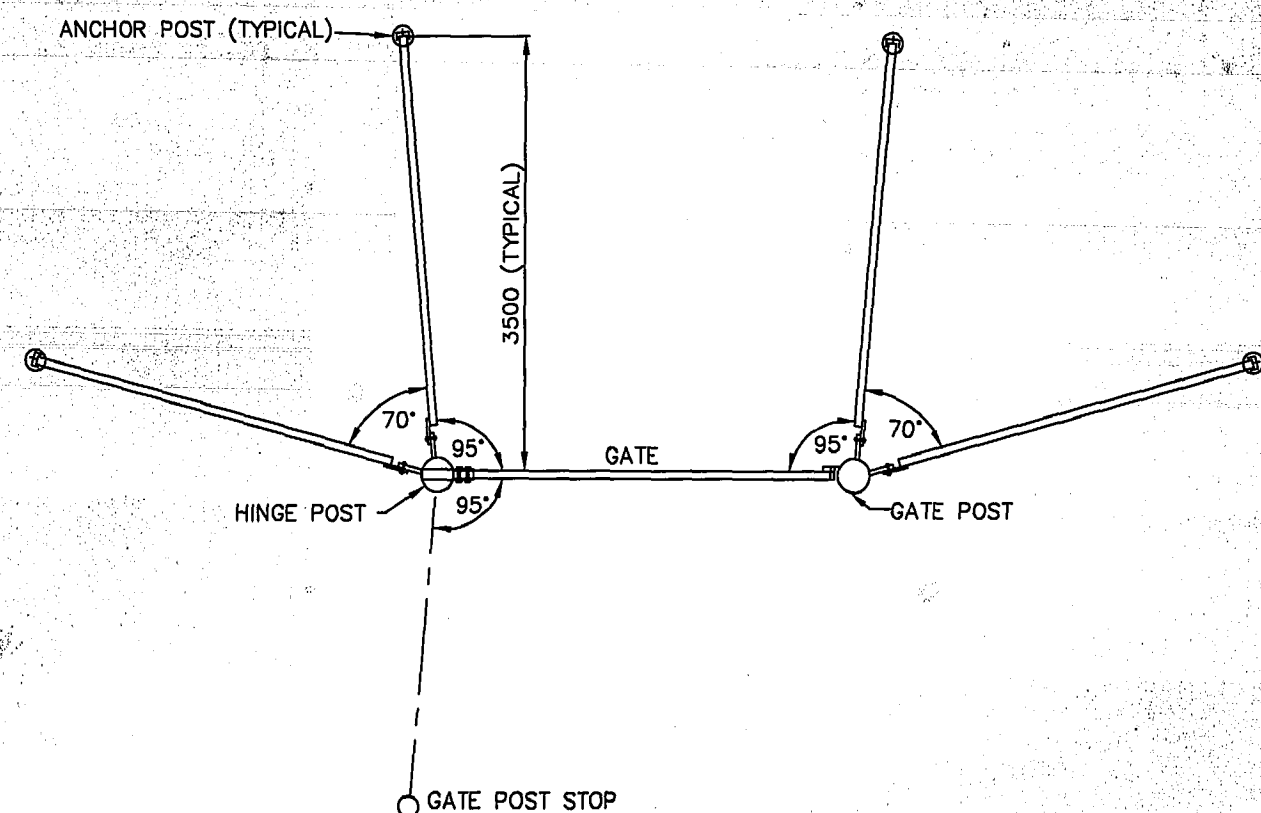
INSTALLATION DETAIL
SCALE 1 : 50



GATE STOP DETAIL
SCALE 1 : 10

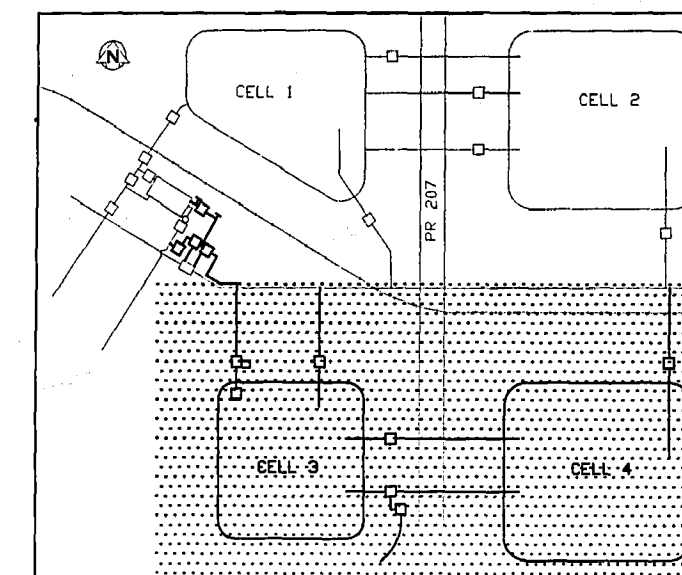


ANCHOR DETAIL
SCALE 1 : 10



PLAN OF ANCHOR AND GATE STOP LOCATIONS
SCALE 1 : 50

NOTE: SEE DRAWING NO. D-2121 FOR LOCATION OF CHAIN LINK FENCING AND GATES



AS-CONSTRUCTED
Robinson & Colton 01.09.27
 CONTRACT ADMINISTRATION DRAFTING & GRAPHIC SERVICES DATE
 WATER AND WASTE DEPARTMENT

DESIGNED BY CT		CHECKED BY CT/KMD	
DRAWN BY WKT/EN		APPROVED BY JEC	
HOR. SCALE AS NOTED		RELEASED FOR CONSTRUCTION	
VERTICAL		DATE	
REVISED TO AS-BUILT	98.05.15	TM	
NO. REVISIONS	DATE	BY	DATE 19 01 20

ENGINEER'S SEAL

ORIGINAL SIGNED BY
 J. E. COMEAU
 1995.01.30

TENDER 95-2
 AUTOCADR2000



THE CITY OF WINNIPEG
 WORKS AND OPERATIONS DIVISION
 WATERWORKS WASTE AND DISPOSAL DEPARTMENT

DEACON RESERVOIR EXPANSION
 CONSTRUCTION OF CELL 3 AND CELL 4

FENCING DETAILS

SHEET OF

CITY DRAWING NUMBER

D-2123

METRIC

WHOLE NUMBERS INDICATE MILLIMETRES
 DECIMALIZED NUMBERS INDICATE METRES