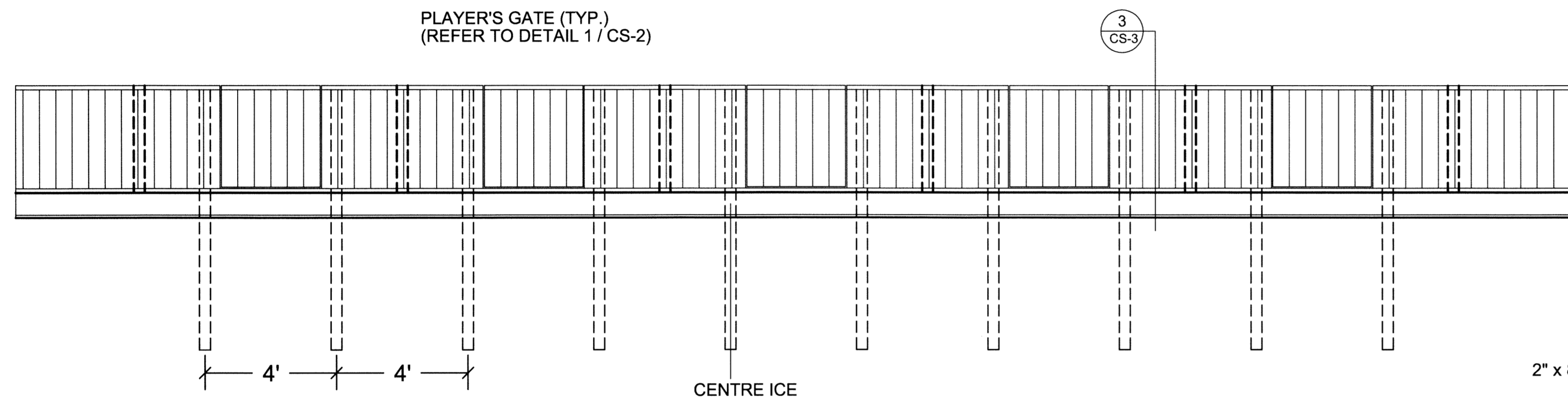
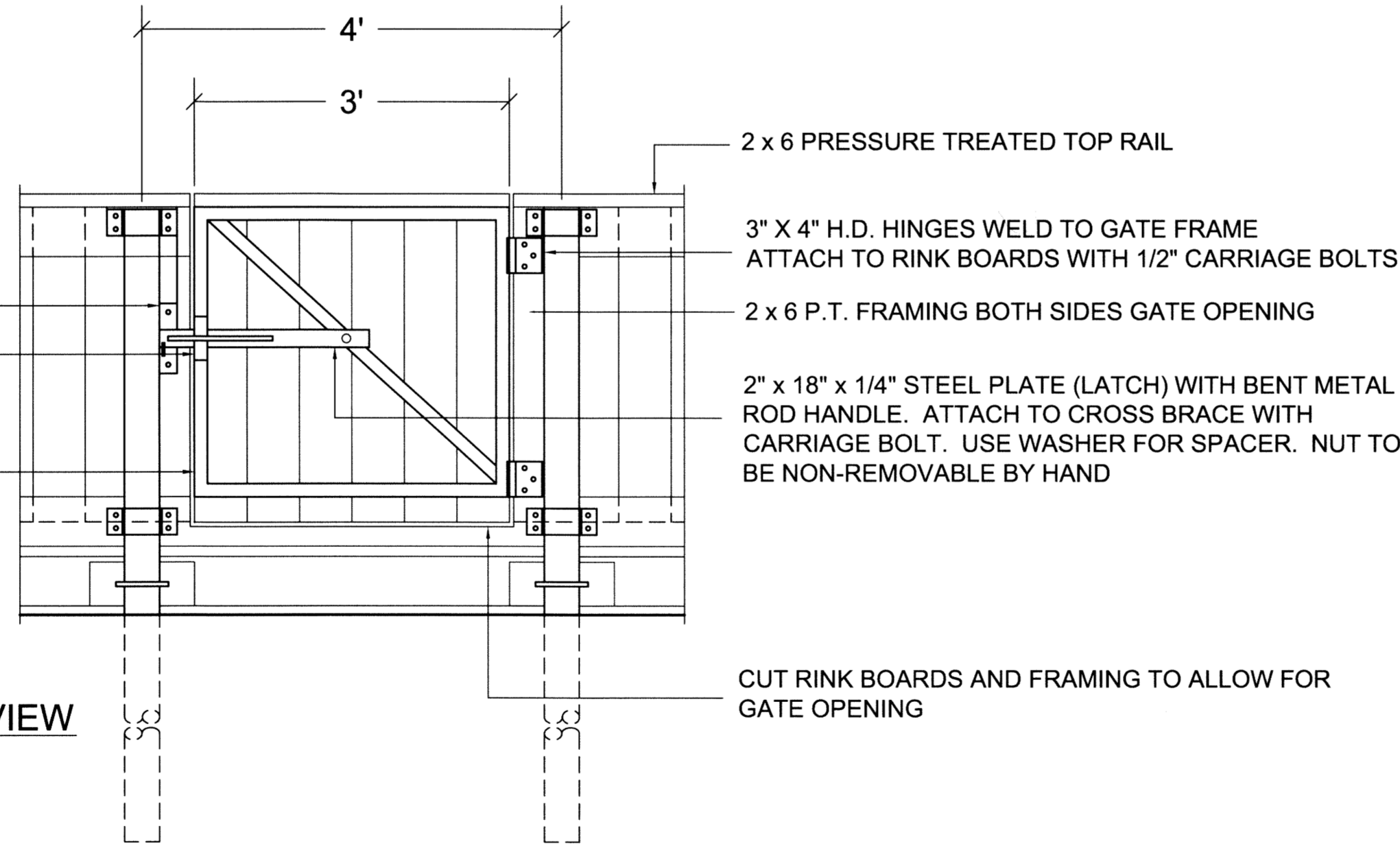


PLAYER'S/PENALTY BOXES - PLAN VIEW
SCALE: N.T.S.

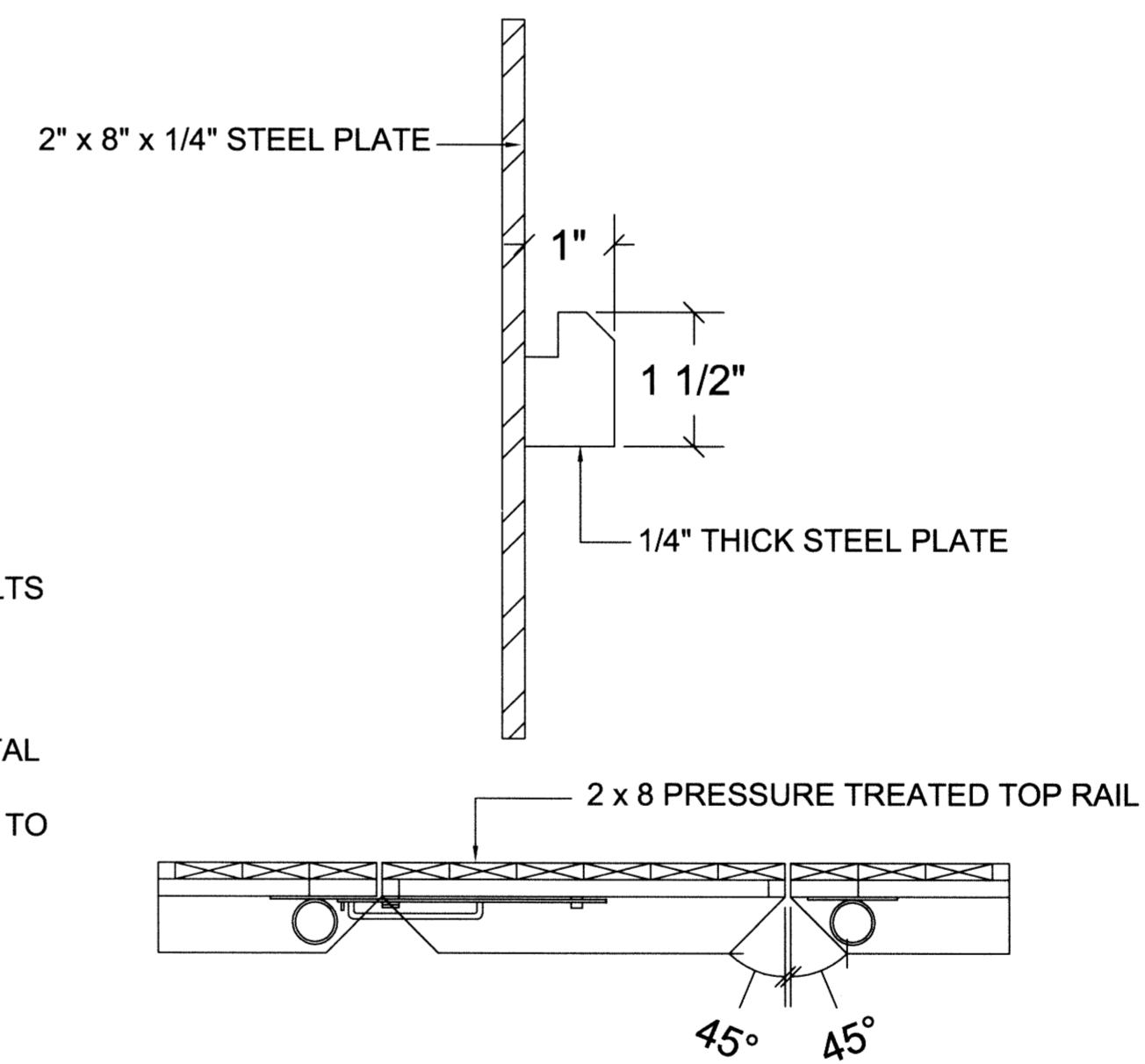


PLAYER'S/PENALTY BOXES - ELEVATION VIEW
SCALE: N.T.S.

2" x 8" x 1/4" STEEL PLATE WITH H.D. STAPLE. ATTACH TO FRAMING W/ CARRIAGE BOLTS. WELD STAPLE TO STEEL BAR
1 1/2" WIDE METAL STRAPPING WELDED TO GATE FRAME TO GUIDE LATCH
1 1/2" x 1 1/2" H.S.S. WELDED GATE FRAME WITH 1 1/2" x 1 1/2" ANGLE IRON CROSS BRACE. ATTACH TO RINK BOARDS AND TOP RAIL WITH 1/2" DIAMETER CARRIAGE BOLTS



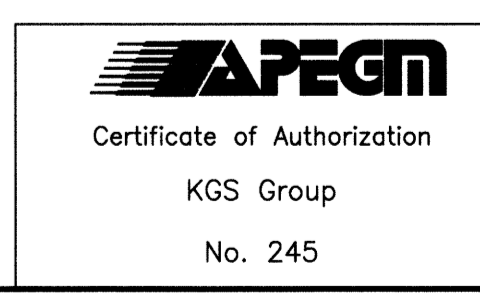
1 PLAYER'S ACCESS GATE - ELEVATION VIEW
SCALE: N.T.S.



PLAYER'S ACCESS GATE - PLAN VIEW
SCALE: N.T.S.

- GENERAL**
- Drawing should be used as a general guide. Exact size, along with style and location of vehicle gates, access, player's gates, and player's boxes location, grading and lighting requirements to be shown on project site plan.
- APPLICABLE CITY OF WINNIPEG STANDARD SPECIFICATIONS**
- CW 3110 - R12 - Sub-grade, Sub-base and Base Course Construction
 - CW 3110 - R12 - Earthwork and Grading
- HOCKEY PEN AND PLAYER'S BOXES**
- All post uprights to be minimum 89mm diameter Schedule 40 steel pipes.
 - Upright posts to be located as shown on the Drawings. Posts to be pushed into ground and shall be plumb in all directions.
 - Vehicle Gates (Option 'B') requires post uprights encased in concrete (gate only).
 - All lumber and plywood to be pressure treated (P.T.).
 - Lumber with loose knots, surface imperfections or splits will not be accepted.
 - All fasteners to be galvanized. Nails to be 89mm Ardox and clinched.
 - All carriage bolts, barrel bolts, nuts and washers to be cadmium plated.
 - Carriage bolts to be used to fasten wood framing to sleeves and gate hardware.
 - All bolt locations to be pre-drilled.
 - Nuts on gate hardware to be non-removable.
 - Top rail of rink end boards to be cut at location of posts 2" x 8" (38 x 184mm) pressure treated lumber. Cut at location of posts.
 - All hardware to be hot-dipped galvanized after fabrication.
 - Player's boxes to be constructed separately from rink.
 - Notch top plate of rink boards to fit Player's Box uprights.
 - Floor of Player's Boxes to be notched around steel posts. Floor to be flush with back of rink boards.
- CHAINLINK SCREENING**
- 10' high chainlink screening shall be located at both ends of rinks as shown.
 - 6' high chainlink screening shall be located at both sides of rinks as shown.
 - All chainlink screening to be 9 gauge steel wire woven into 2" (50mm) mesh. Top and bottom selvage shall be knuckled.
 - Top rails for screening shall be 1 1/2" (38mm) diameter. Rails to be hammered flat and welded to uprights.
 - All welds to be smooth and continuous.
 - Posts and rails to be cleaned of all welding residue. Apply Galvalume according to Manufacturer's specifications.
 - Mesh to be attached to uprights with wire ties at 1' on center.
 - Metal strapping to be interwoven in mesh and secured to top rail with screws at 8" o.c. Strapping to be continuous post to post.
 - Chainlink screening to be flush with front of upright.
 - Chainlink construction shall be in accordance with City of Winnipeg Standard Construction Specifications CW 3550.
 - Chainlink screening shall be installed as part of vehicle gates and referee gates to a height matching the adjacent screening.
- PAINTING**
- Inside of rink boards and entire player's boxes shall be painted with two (2) coats of white paint c/w game lines (red & blue).

File Name: P:\Projects\2012\12-0107-016\Doc\Control\To\Bissaud\DWG\12-0107-016_CS-2-Rev 0.dwg - Tab: CS-2 Plotted By: Deroche 13/03/28 [Thu 8:37am] A1/PLOT SCALE: 1"=1'



LOCATION APPROVED UNDERGROUND STRUCTURES SUPV. U/G STRUCTURES COMMITTEE DATE _____ NOTE: LOCATION OF UNDERGROUND STRUCTURES AS SHOWN ARE BASED ON THE BEST INFORMATION AVAILABLE BUT NO GUARANTEE IS GIVEN THAT ALL EXISTING UTILITIES ARE SHOWN OR THAT THE GIVEN LOCATIONS ARE EXACT. CONFIRMATION OF EXISTENCE AND EXACT LOCATION OF ALL SERVICES MUST BE OBTAINED FROM THE INDIVIDUAL UTILITIES BEFORE PROCEEDING WITH CONSTRUCTION.		B.M. ELEV. XX-XXX 2XX.XXX DESCRIPTION	KGS GROUP CONSULTING ENGINEERS	ENGINEER'S SEAL 	THE CITY OF WINNIPEG PLANNING, PROPERTY & DEVELOPMENT
DESIGNED BY LMC DRAWN BY LMC HOR. SCALE: N.T.S. VERTICAL: - NO. REVISIONS DATE BY DATE	CHECKED [Signature] APPROVED [Signature] RELEASED FOR CONSTRUCTION:	CONSULTANT DRAWING NO. 12-0107-016_CS-2	PROJECT TITLE STURGEON HEIGHTS COMMUNITY CENTRE SITE DEVELOPMENT PROJECT BID OPPORTUNITY 169-2013 PLAYER'S BOX PLAN, ELEVATION & DETAILS	SHEET OF 06 OF 09 COMPUTER FILE NAME 12-0107-016_CSALL CITY DRAWING NUMBER CS-2	