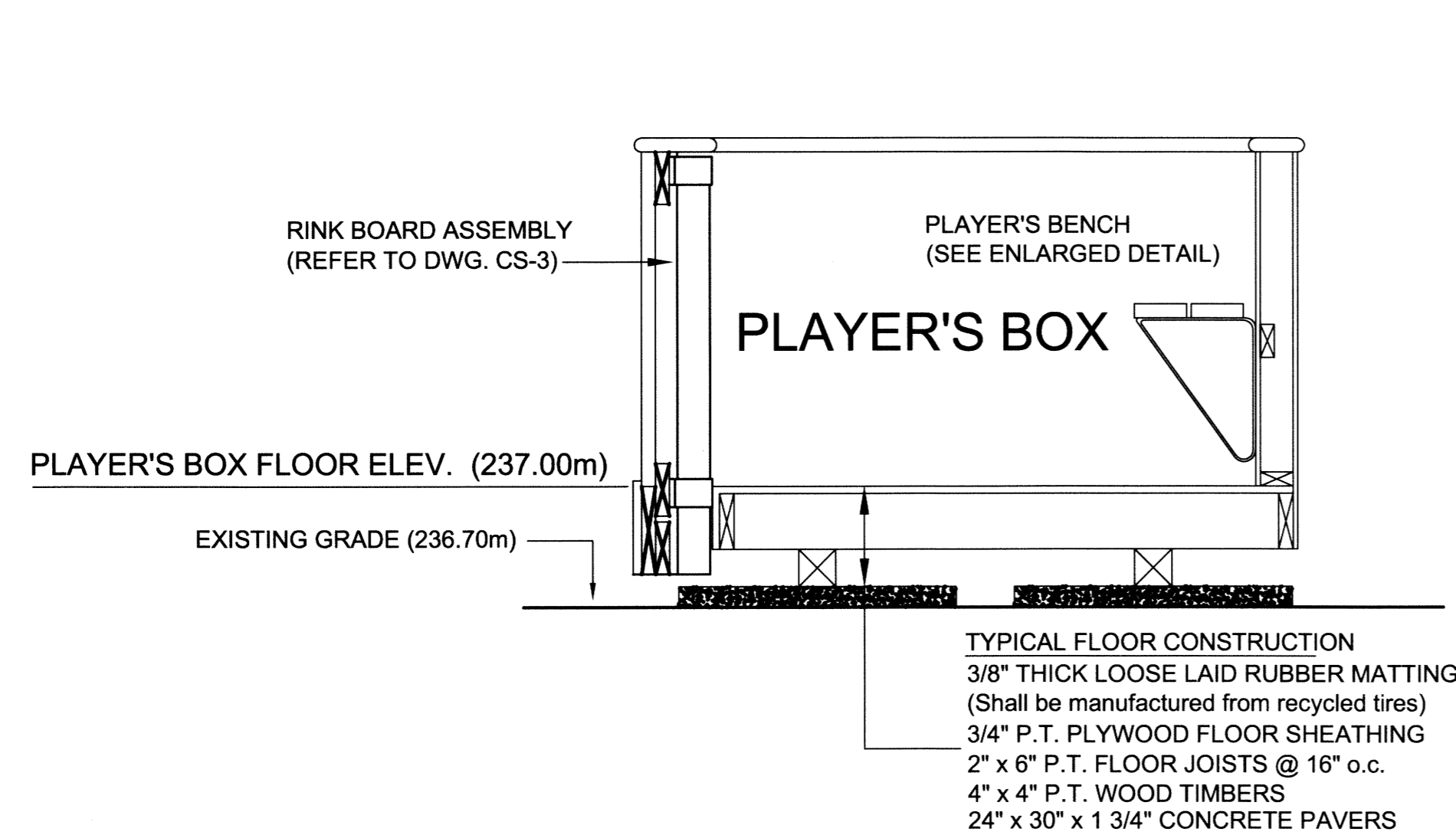
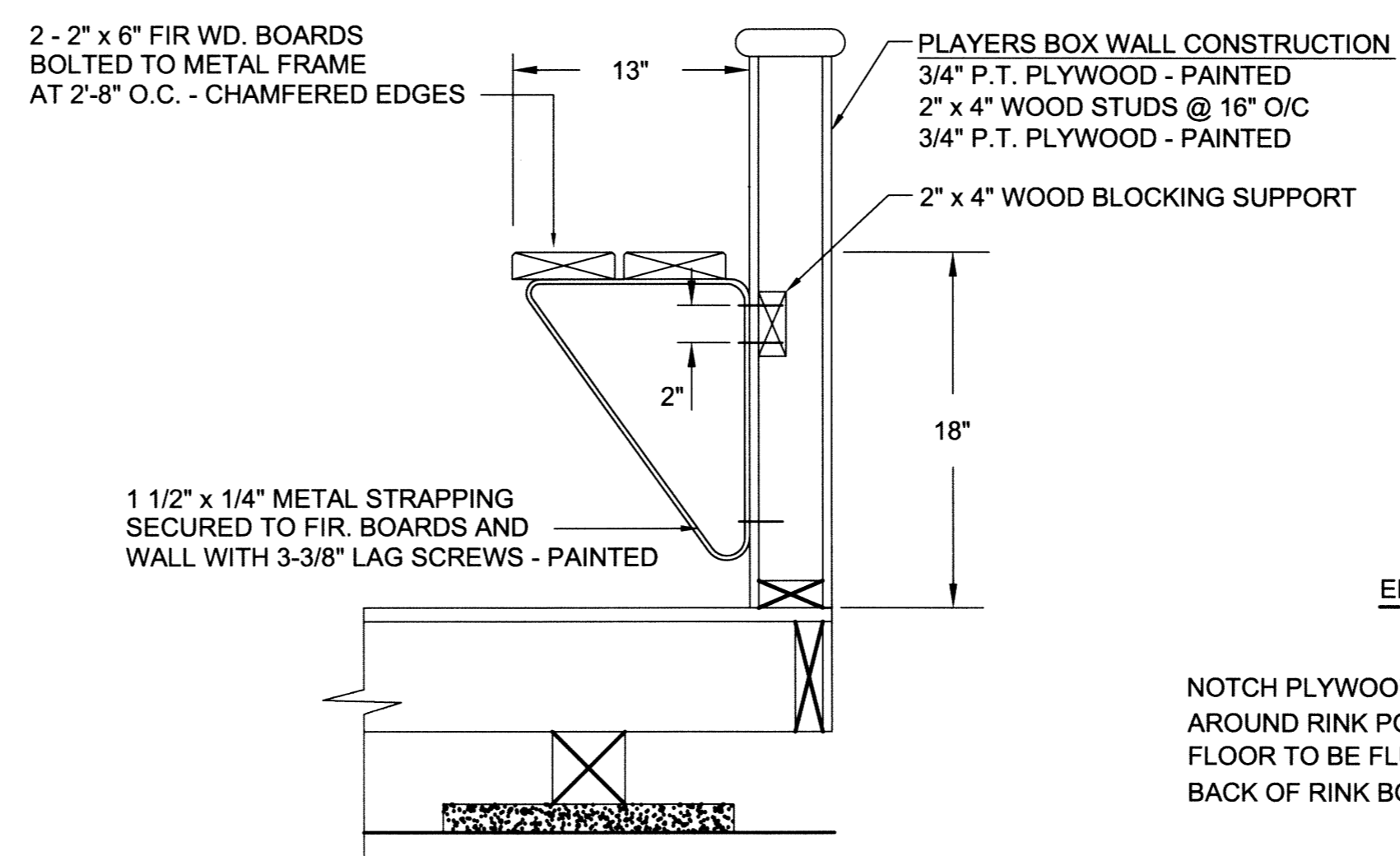


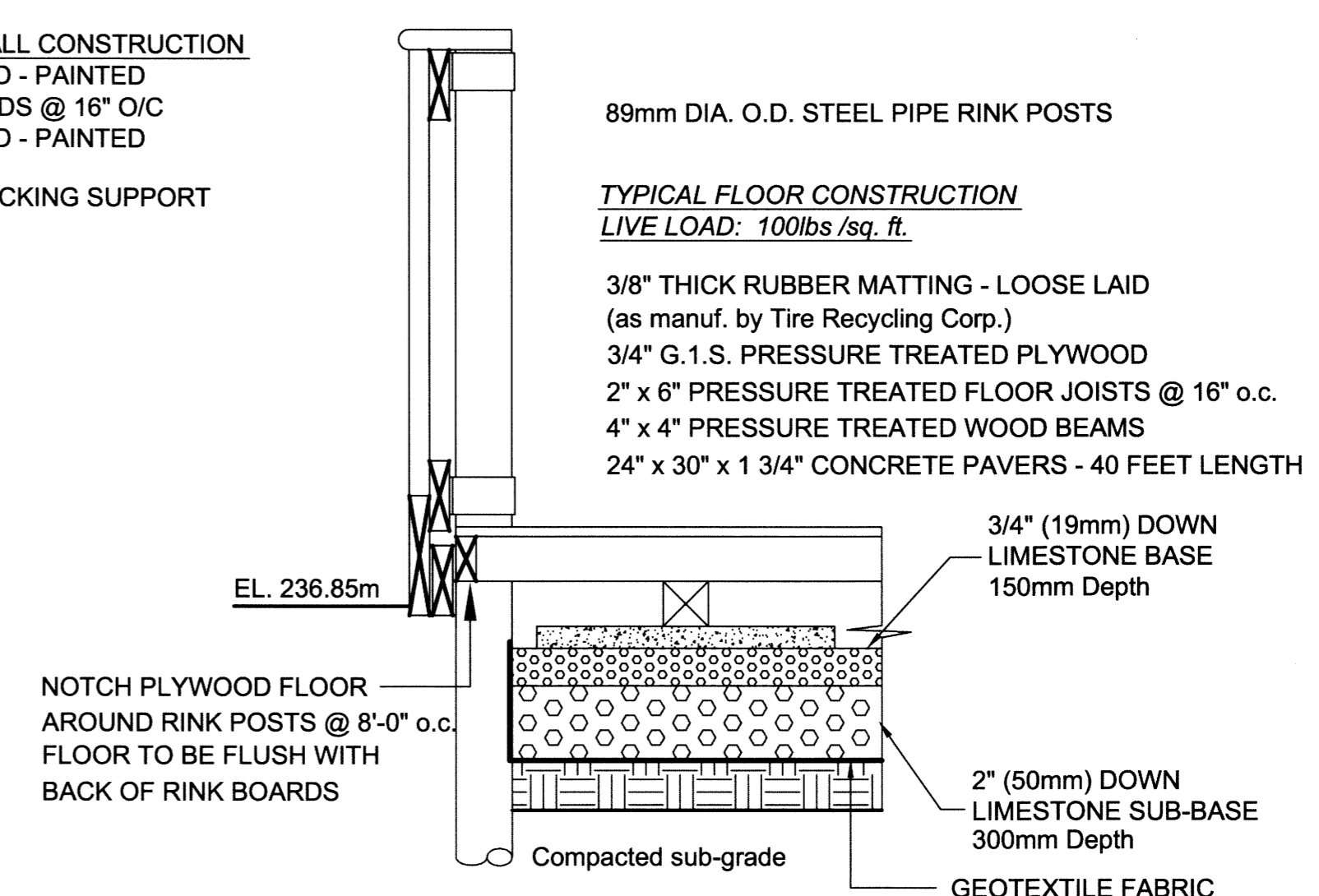
File Name: P:\Projects\2012\12-0107-016\Doc\Control\ToBeIssued\DWG\12-0107-016\_CS-5-5-Rev 0.dwg - Tab: CS-5 Plotted By: DDeroche 13/03/28 [Thu 2:17pm]  
 A:1/PLOT SCALE: 1=1



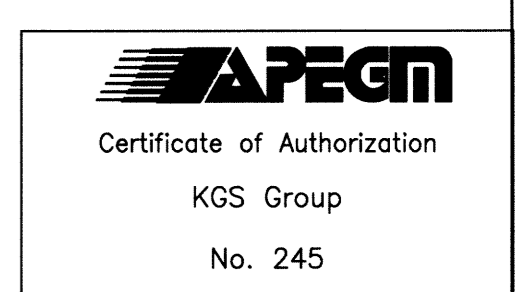
**1** SECTION THRU PLAYER'S BOX  
 CS-5 SCALE: N.T.S.



**PLAYER'S BENCH DETAIL**  
 SCALE: N.T.S.



**PLAYER'S BOX BASE DETAIL**  
 SCALE: N.T.S.



<b>LOCATION APPROVED UNDERGROUND STRUCTURES</b> SUPV. U/G STRUCTURES COMMITTEE DATE NOTE: LOCATION OF UNDERGROUND STRUCTURES AS SHOWN ARE BASED ON THE BEST INFORMATION AVAILABLE BUT NO GUARANTEE IS GIVEN THAT ALL EXISTING UTILITIES ARE SHOWN OR THAT THE GIVEN LOCATIONS ARE EXACT. CONFIRMATION OF EXISTENCE AND EXACT LOCATION OF ALL SERVICES MUST BE OBTAINED FROM THE INDIVIDUAL UTILITIES BEFORE PROCEEDING WITH CONSTRUCTION.		B.M. ELEV. XX-XXX 2XX.XXX DESCRIPTION	<b>KGS GROUP</b> CONSULTING ENGINEERS	ENGINEER'S SEAL 	<b>THE CITY OF WINNIPEG</b> PLANNING, PROPERTY & DEVELOPMENT
DESIGNED BY LMC DRAWN BY LMC HOR. SCALE: N.T.S. VERTICAL: .	CHECKED [Signature] APPROVED RELEASED FOR CONSTRUCTION:	CONSULTANT DRAWING NO. 12-0107-016_CS-5	PROJECT TITLE STURGEON HEIGHTS COMMUNITY CENTRE SITE DEVELOPMENT PROJECT BID OPPORTUNITY 169-2013 PLAYER'S BOX SECTION		SHEET OF 09 OF 09 COMPUTER FILE NAME 12-0107-016_CSALL CITY DRAWING NUMBER CS-5
0 ISSUED FOR TENDER 13/03/27 NO. REVISIONS DATE BY	13/03/27 DATE	13/03/27 DATE			