

**LEGEND:**

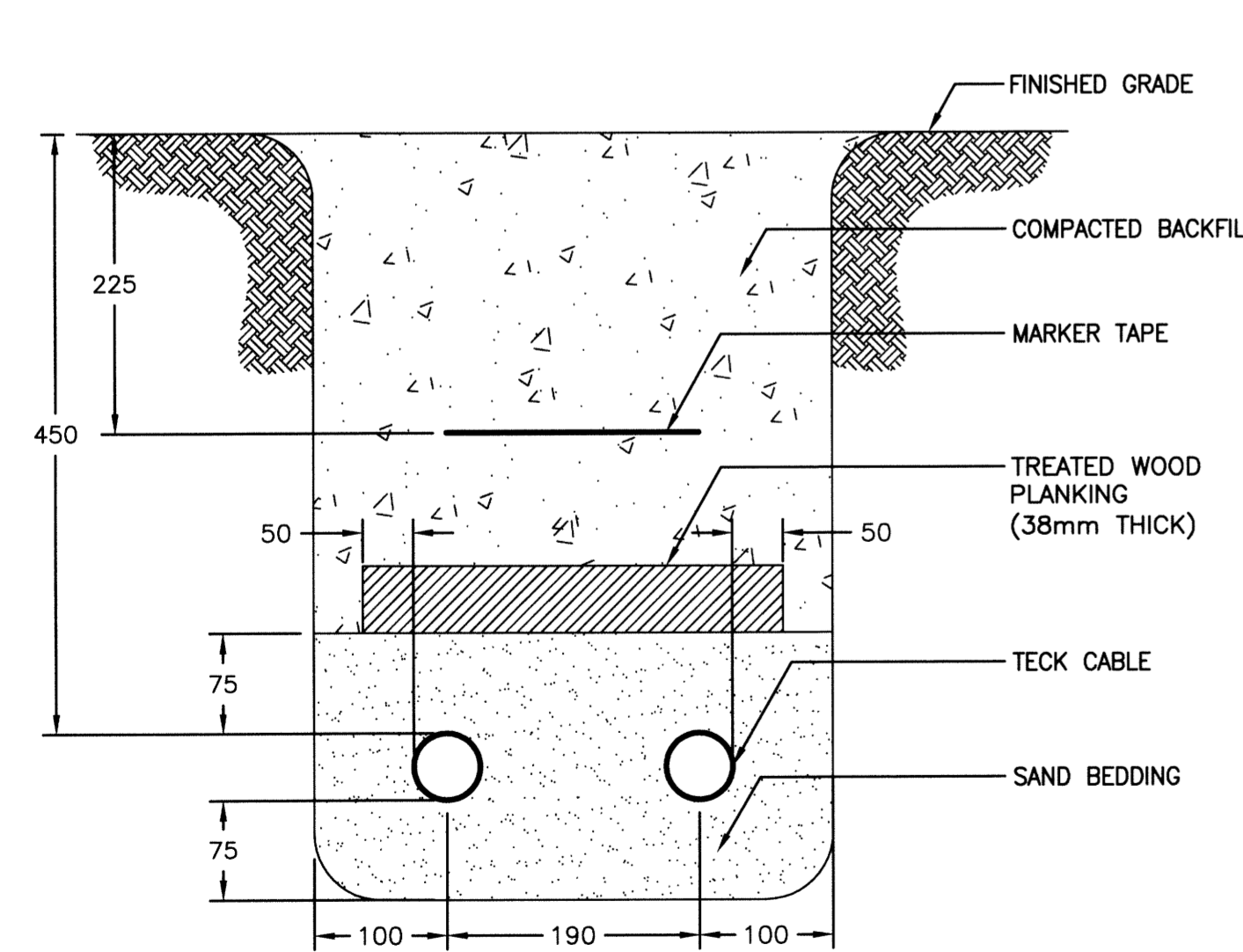
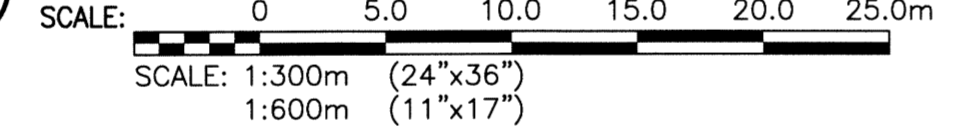
- (L1) POLE MOUNTED LUMINAIRE
- UNDERGROUND CABLE ROUTE (NOTE 10)
- o VERTICAL CONDUIT (EXISTING)
- HORIZONTAL CONDUIT (EXISTING)

**NOTES:**

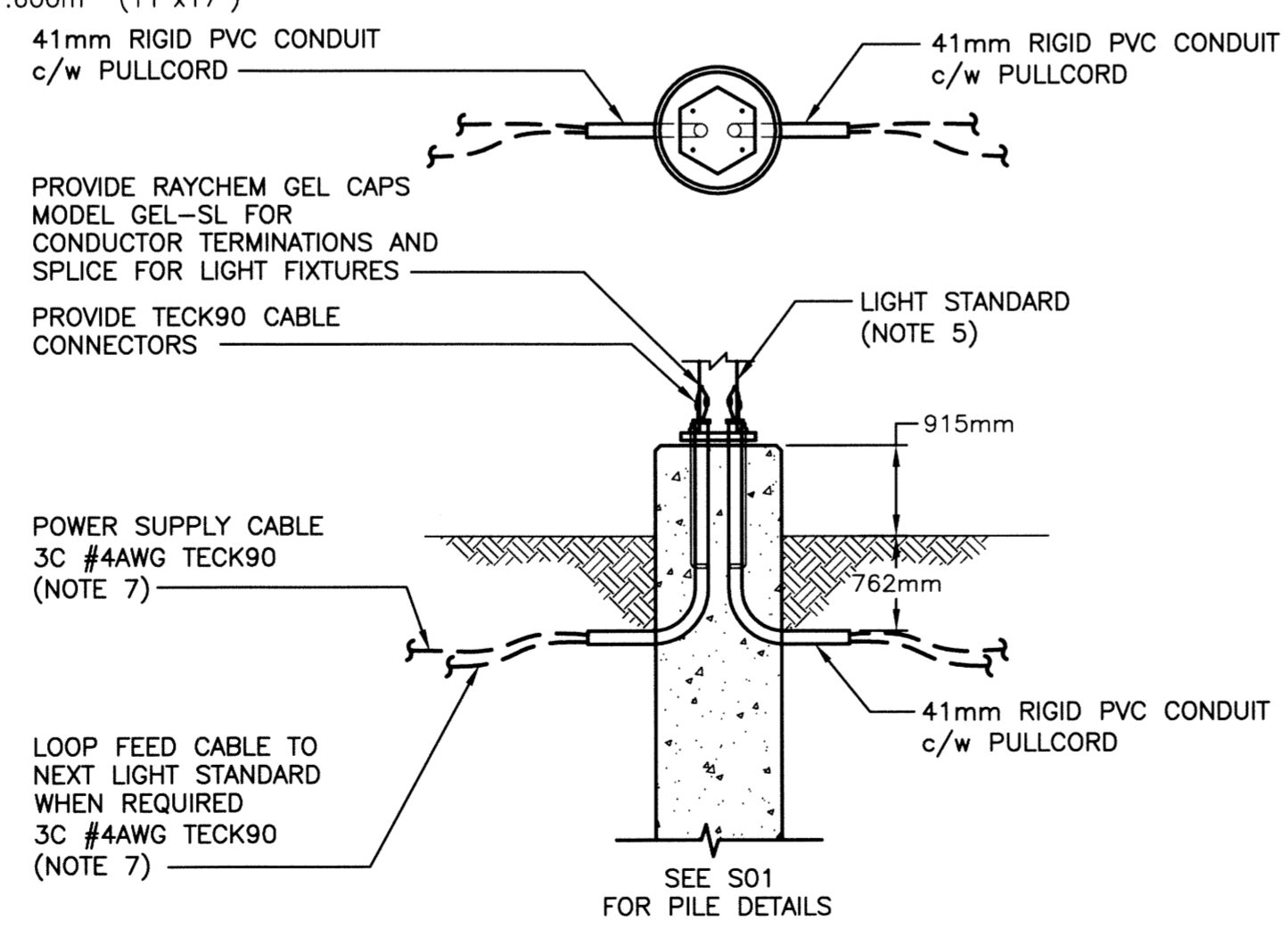
1. ELECTRICAL INSTALLATION SHALL BE IN ACCORDANCE WITH THE CURRENT EDITION OF THE CANADIAN ELECTRICAL CODE, PROVINCIAL, MUNICIPAL AND OTHER CODES, RULES AND REGULATIONS.
2. PREPARE AND SUBMIT TO THE PROPER AUTHORITIES ALL NECESSARY PERMITS AND PAY ALL FEES.
3. UPON COMPLETION AND BEFORE FINAL PAYMENT IS MADE, PRESENT TO THE CONTRACT ADMINISTRATOR A CERTIFICATE OF APPROVAL FOR ALL ELECTRICAL WORK FOR THE INSPECTION DEPARTMENT HAVING JURISDICTION.
4. THE CONTRACTOR SHALL GUARANTEE THE SATISFACTORY OPERATION OF ALL WORK AND APPARATUS INCLUDED AND INSTALLED UNDER THIS SECTION OF THE SPECIFICATION FOR THE PERIOD OF 12 MONTHS AFTER THE CERTIFICATE OF TOTAL PERFORMANCE IS ISSUED.
5. MOUNT POLES ON CONCRETE BASES CENTRED PLUMB AND TRUE, UTILIZING METAL SHIMS AS REQUIRED. ENSURE COMPLETE ELECTRICAL CONNECTION AND SECURELY ANCHOR POLES TO CONCRETE PILES.
6. EXACT LOCATION OF THE LIGHT POLES SHALL BE INSPECTED AND APPROVED BY THE CONTRACT ADMINISTRATOR PRIOR TO EXCAVATION FOR NEW CONCRETE PILES. AIMING ANGLE OF FIXTURES TO BE DETERMINED WITH ENGINEER DURING FINAL COMMISSIONING.
7. PROVIDE SLACK LOOP OF CABLES AT ALL FIXTURE LOCATIONS TO ALLOW FOR GROUND MOVEMENT.
8. EXISTING 4" CONDUIT. REMOVE EXISTING CABLE BEFORE USE. SEAL BOTH END PENETRATIONS AFTER PULLING LIGHTING POWER CABLES.
9. PROVIDE 8x 1C#8 AWG TO NEW LIGHTING CONTROL PANEL. CONTRACTOR TO VERIFY APPROPRIATE ROUTING ON SITE.
10. ALL CABLE AND CABLE TRENCH SHALL REMAIN OUTSIDE PERIMETER OF RINK. NO CABLE OR CABLE TRENCH TO CROSS UNDER ICE SURFACE.
11. SUPPLY AND INSTALL NEW LIGHTING CONTROL PANEL INCLUDING TWO (2) 50A, 3P LIGHTING CONTACTORS (NEMA RATED), TWO (2) SELECTOR SWITCHES (HEAVY DUTY OIL TIGHT) AND TWO (2) PILOT LIGHTS (HEAVY DUTY OIL TIGHT). PROVIDE FUSED CONTROL CIRCUIT DERIVED FROM INCOMING POWER CABLE. ENCLOSURE SHALL BE NEMA 12 AND c/w PROVISION FOR LOCKING.
12. PROVIDE AND INSTALL 2 NEW BREAKERS IN PANEL 'M'. MATCH EXISTING.

File Name: P:\Projects\2012\12-0107-016\_E01-Rev 0.dwg - Tab: E01 Plotted By: D.Deroche 13/03/28 [Thu 9:28am]  
 A:1/PLOT SCALE:1=1

**1 SITE PLAN LIGHTING**

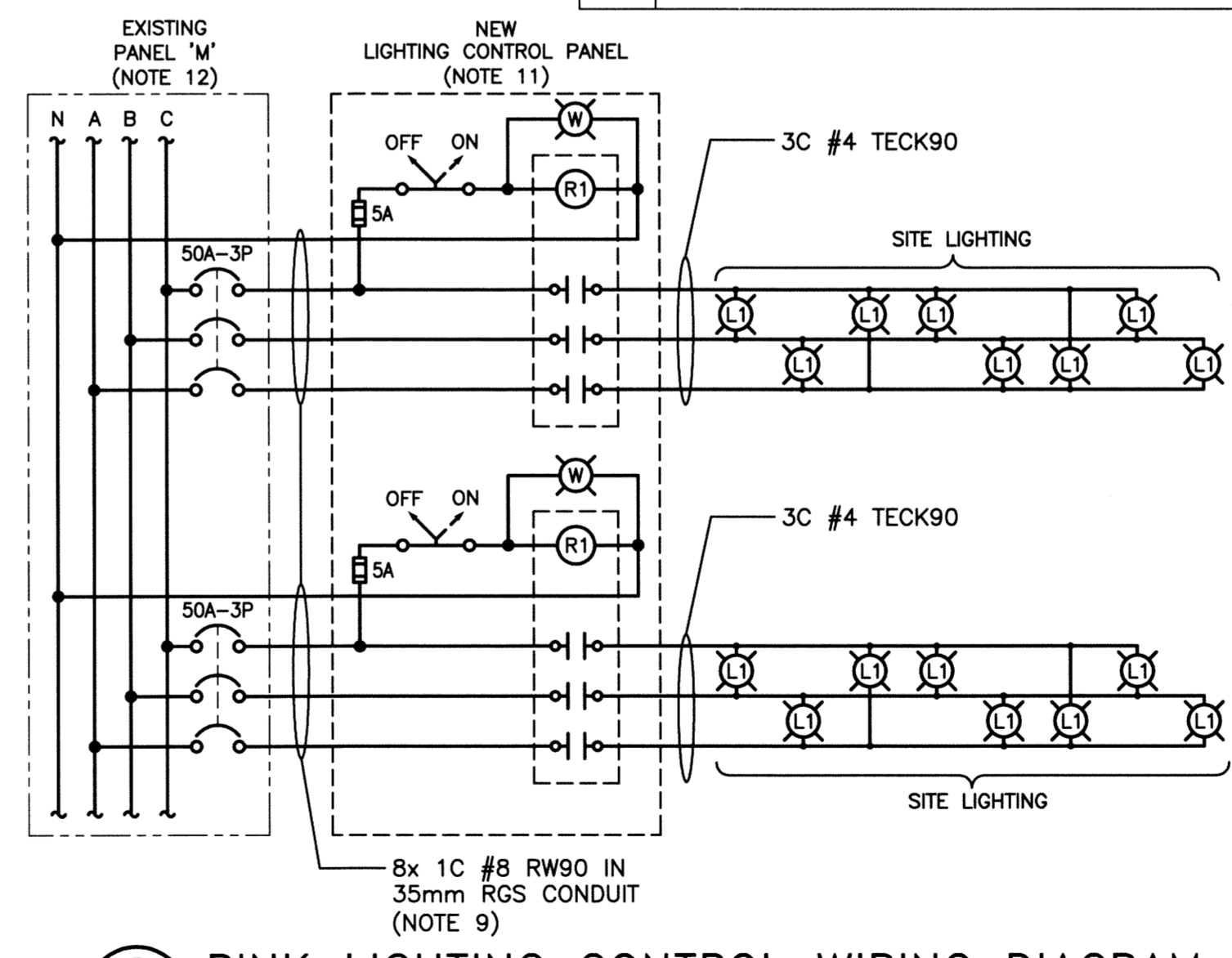


**A** CABLE TRENCH DETAIL  
SCALE: NTS

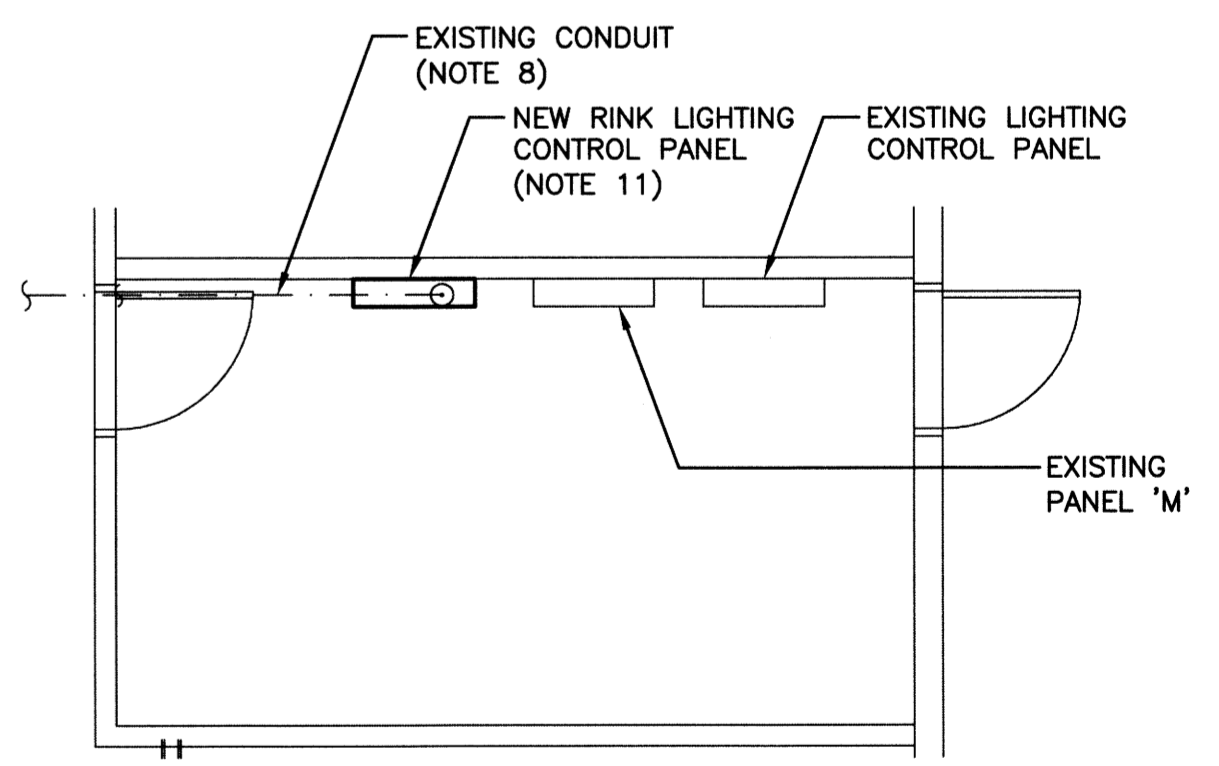


**B** LIGHT POLE DETAIL  
SCALE: NTS

LUMINAIRE SCHEDULE				
TYPE	DESCRIPTION	VOLTAGE	LAMPS	APPROVED MANUFACTURER
L1	LIGHT FIXTURE EXTERIOR FLOODLIGHT, DIE CAST ALUMINUM HOUSING AND DOOR, FLAT TEMPERED GLASS LENS, ANODIZED REFLECTOR, IES BEAM DISTRIBUTION 6H X 6V, BRONZE POLYESTER POWDER COAT FINISH, PREMIUM, PULSE START, LEXAN VANDAL SHIELD, SLIP FITTER TENON MOUNT. POLE 30'-0" HIGH STEEL TAPERED, OCTAGONAL POLE, BLACK FINISH c/w 2" STANDARD TENON, 4"x7" COVERED HAND HOLE AND 2 FIXTURE BULLHORN AS REQUIRED.	208V	1-1000W MH	LIGHT FIXTURE ACCULITE: FLC 1000MH QT SF, FLC-TA, FLC-LS POLE VALMONT: OT-30-2.0/BH2-180



**C** RINK LIGHTING CONTROL WIRING DIAGRAM  
SCALE: NTS

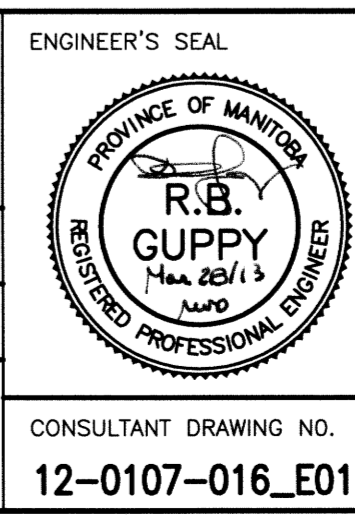


**D** ELECTRICAL ROOM  
SCALE: NTS

B.M. ELEV.	DESCRIPTION	DATE	BY
0	ISSUED FOR TENDER	13/03/27	R.G.
	NO. REVISIONS	DATE	BY

**KGS GROUP**  
CONSULTING ENGINEERS

DESIGNED BY: CPS	CHECKED: R.G.
DRAWN BY: JPL	APPROVED:
HOR. SCALE: AS NOTED	RELEASED FOR CONSTRUCTION:
VERTICAL:	
DATE: 12/11/15	



**THE CITY OF WINNIPEG**  
PLANNING, PROPERTY AND DEVELOPMENT

PROJECT TITLE: **STURGEON HEIGHTS COMMUNITY CENTRE SITE DEVELOPMENT PROJECT**  
**BID OPPORTUNITY 169-2013**  
**ELECTRICAL - SITE PLAN AND DETAILS**

CONSULTANT DRAWING NO. **12-0107-016\_E01**

SHEET **04** OF **09**  
COMPUTER FILE NAME: **12-0107-016**  
CITY DRAWING NUMBER: **E01**

**APEGM**  
Certificate of Authorization  
**KGS Group**  
No. 245