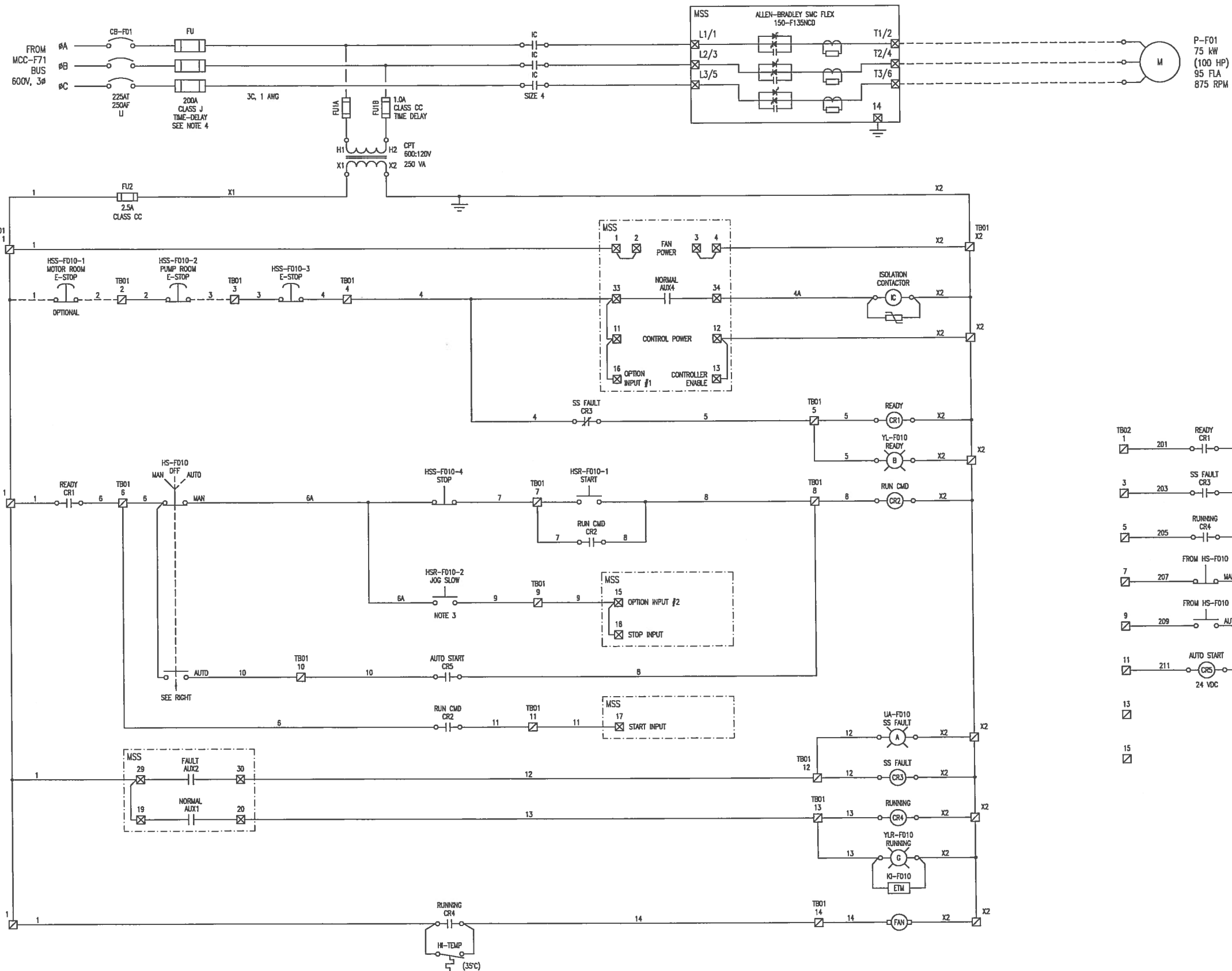
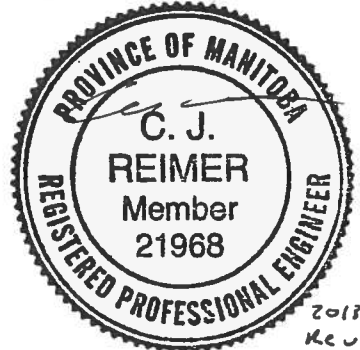
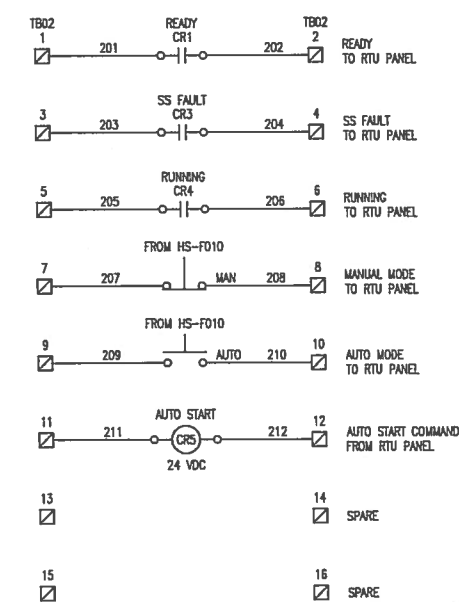


AI SIZE - 50mm x 84mm



LEGEND:

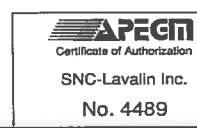
- ☐ SOFT START ENCLOSURE TERMINAL
- ☒ SOFT START DEVICE TERMINAL
- |○ CONTACT
- (R) INDICATING LIGHT, R = RED, A = AMBER, G = GREEN, B = BLUE
- (R) RELAY COIL
- ⎓ TRANSIENT VOLTAGE SUPPRESSOR
- ETM ELAPSED TIME METER
- (A) AMMETER



2018-02-26
Kevoo

- NOTES:**
- COMPLETE ASSEMBLY TO HAVE A SHORT CIRCUIT CURRENT RATING OF 18KA OR HIGHER.
 - ALL REMOTE WIRING IS 24VDC.
 - JOG SLOW WILL OPERATE THE MOTOR AT A SLOW SPEED, WHEREBY THE CENTRIFUGAL PUMP WILL NOT ACTUALLY LIFT THE WASTEWATER. CONFIRMATION OF PUMPING, OR LACK THEREOF, DURING SLOW SPEED OPERATION IS BY OTHERS.
 - FUSES ARE PROVIDED TO ACHIEVE THE DESIGN 18KA SHORT CIRCUIT CURRENT RATING.

1-0136F-E0005	CONNECTION DIAGRAM - MS-FD1
1-0136F-E0008	PANEL LAYOUT - MS-FD1
	REFERENCE DRAWINGS



NO.	REVISIONS	DATE	DESIGN	CHECK
00	ISSUED FOR TENDER, BID OPP. 177-2013	2013/02/25	BJC	

DESIGNED BY: B. CLEVEN	CHECKED BY:
DRAWN BY: S. FUNK	APPROVED BY:
SCALE: NTS	RELEASED FOR CONSTRUCTION
DATE: 2012/11/01	DATE: 2013/02/25
CONSULTANT NO.: 611511-0000-4700-0004	

THE CITY OF WINNIPEG WATER AND WASTE DEPARTMENT	
DESPINS FLOOD PUMPING STATION	
MOTOR STARTER SCHEMATIC MS-FD1 FLOOD PUMP P-FD1	
CITY DRAWING NUMBER 1-0136F-E0004	SHEET REV. SIZE 001 00 A1

SMC: 2013/02/25 - 10:20am
 Path: \\A:\11311\KENC\7ELE\DO - General DWG\1-0136F-E0004-001-00.dwg