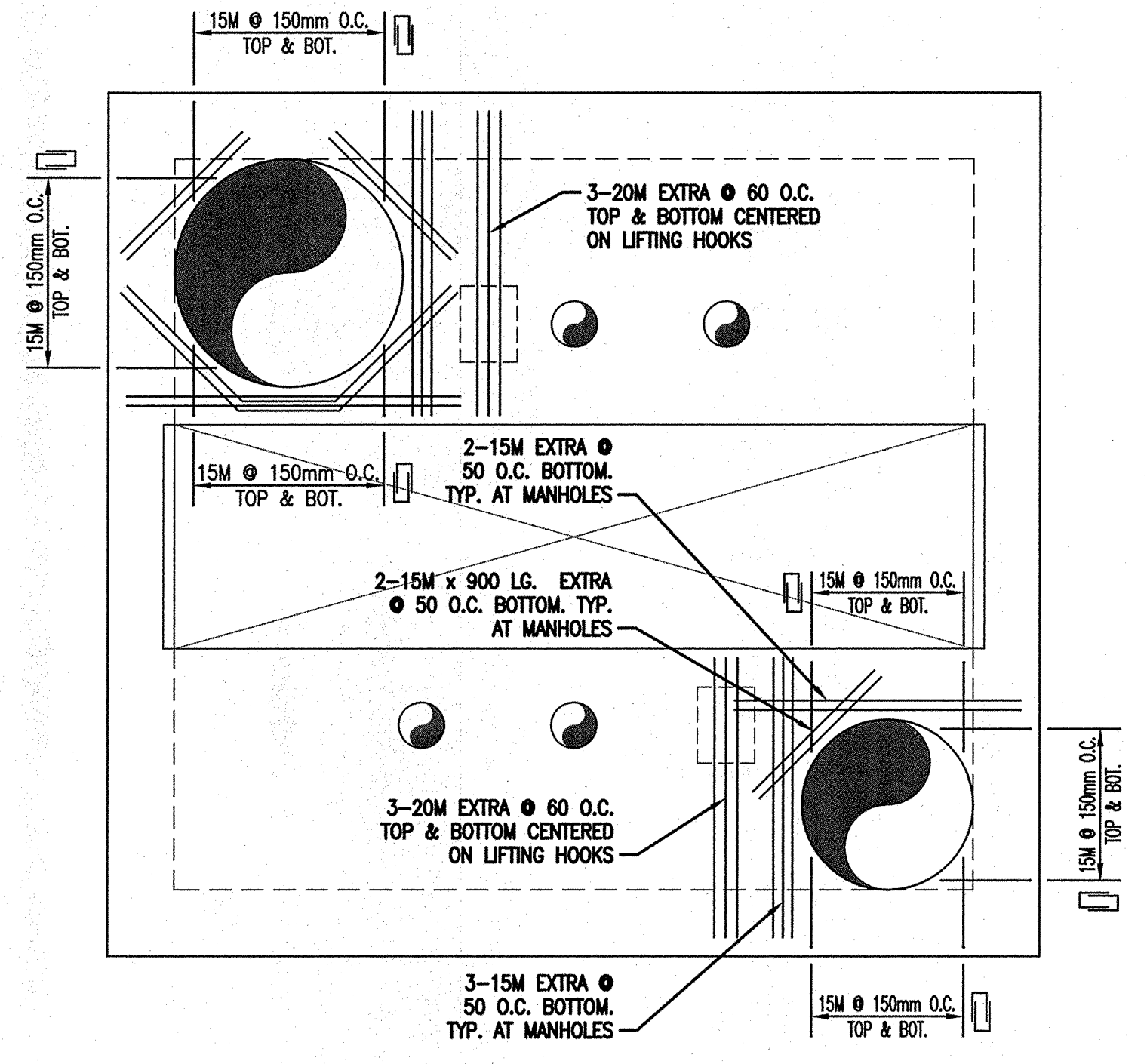
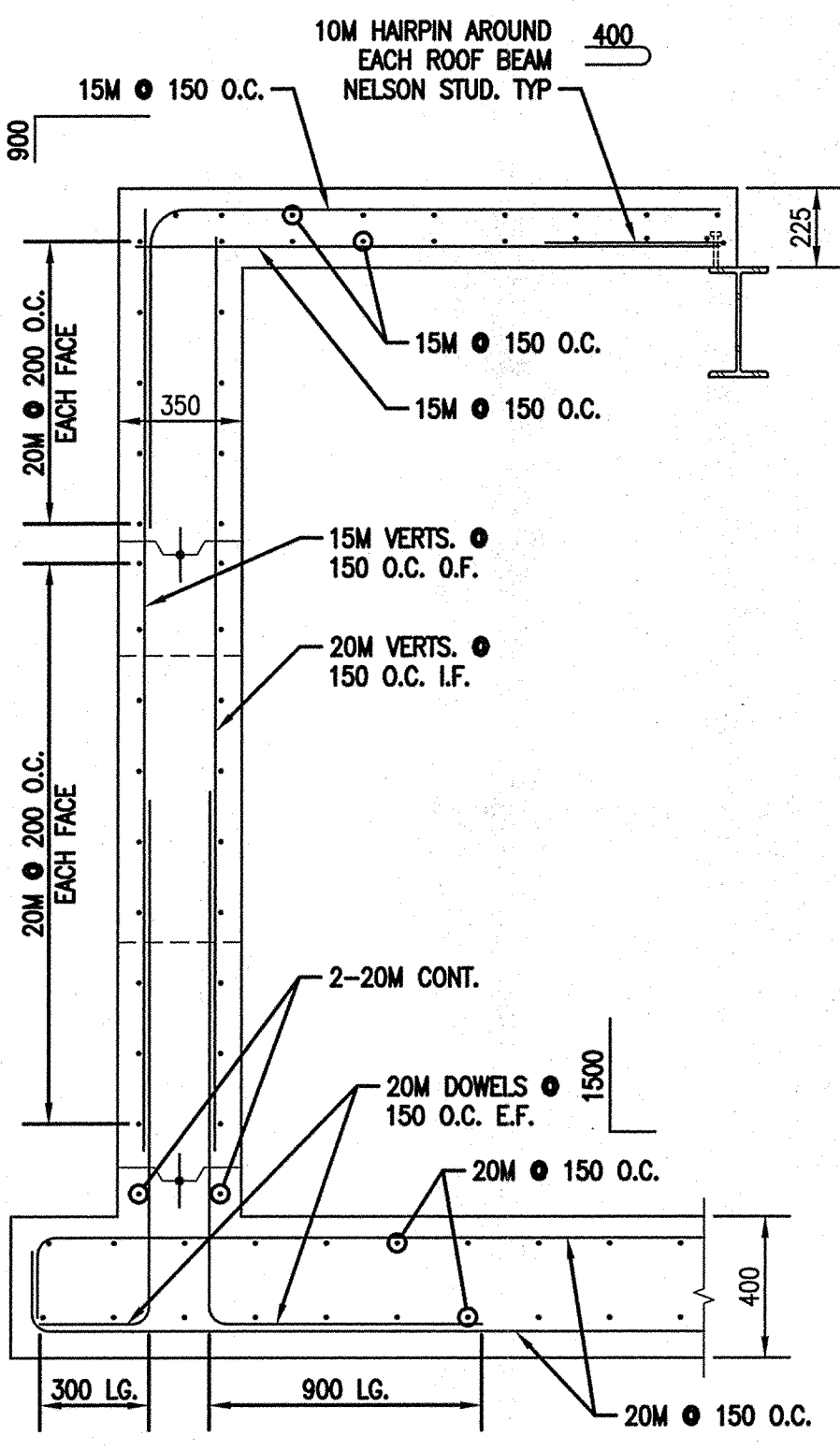
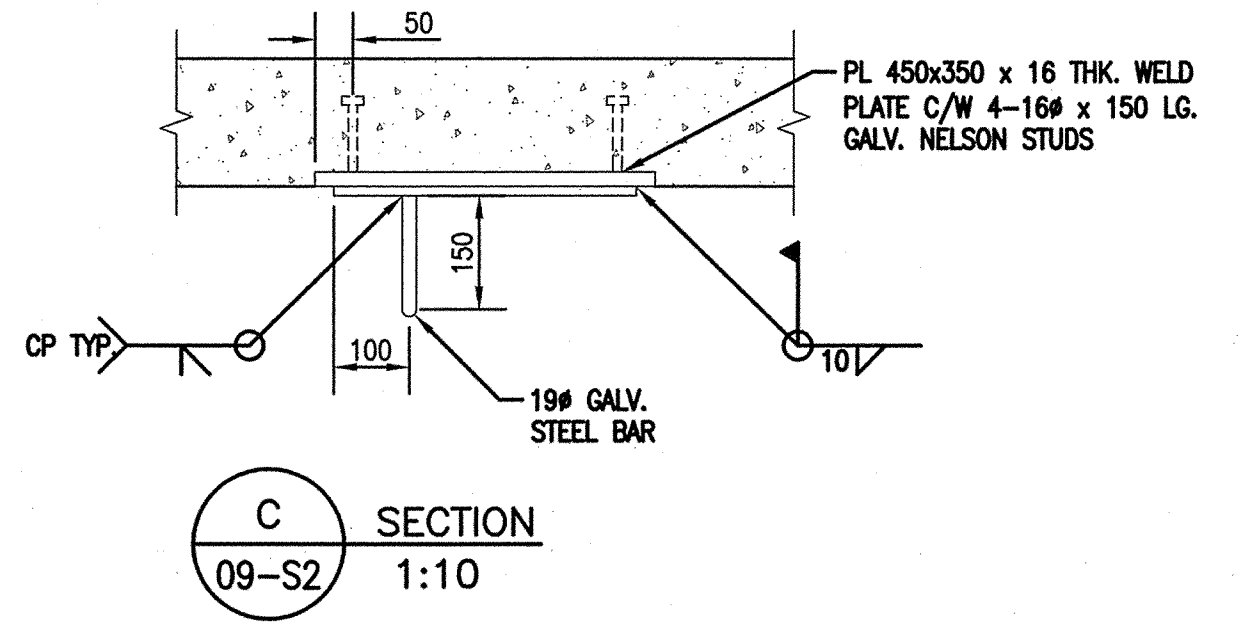
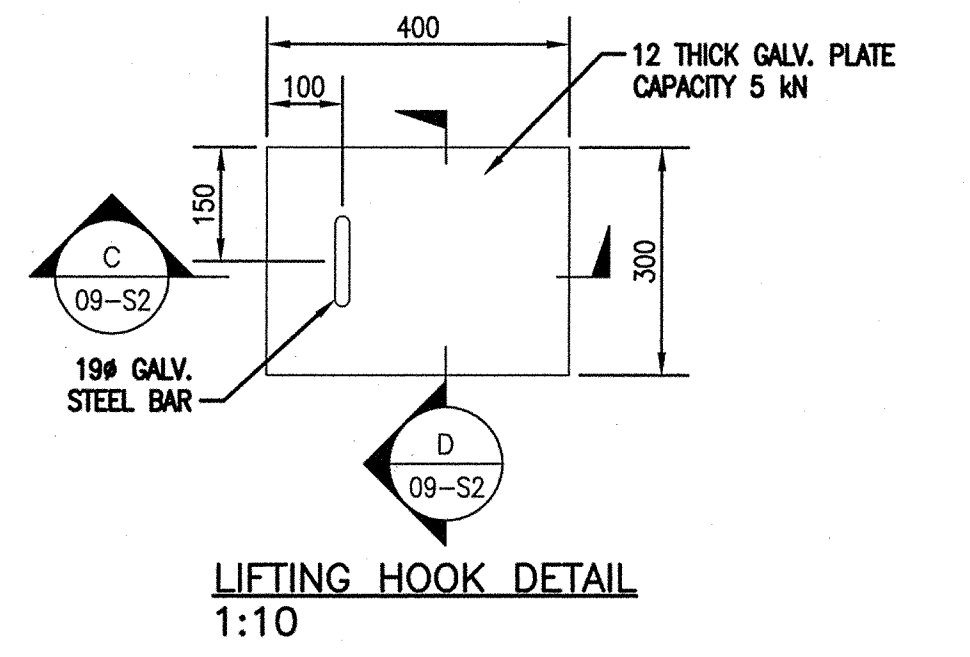
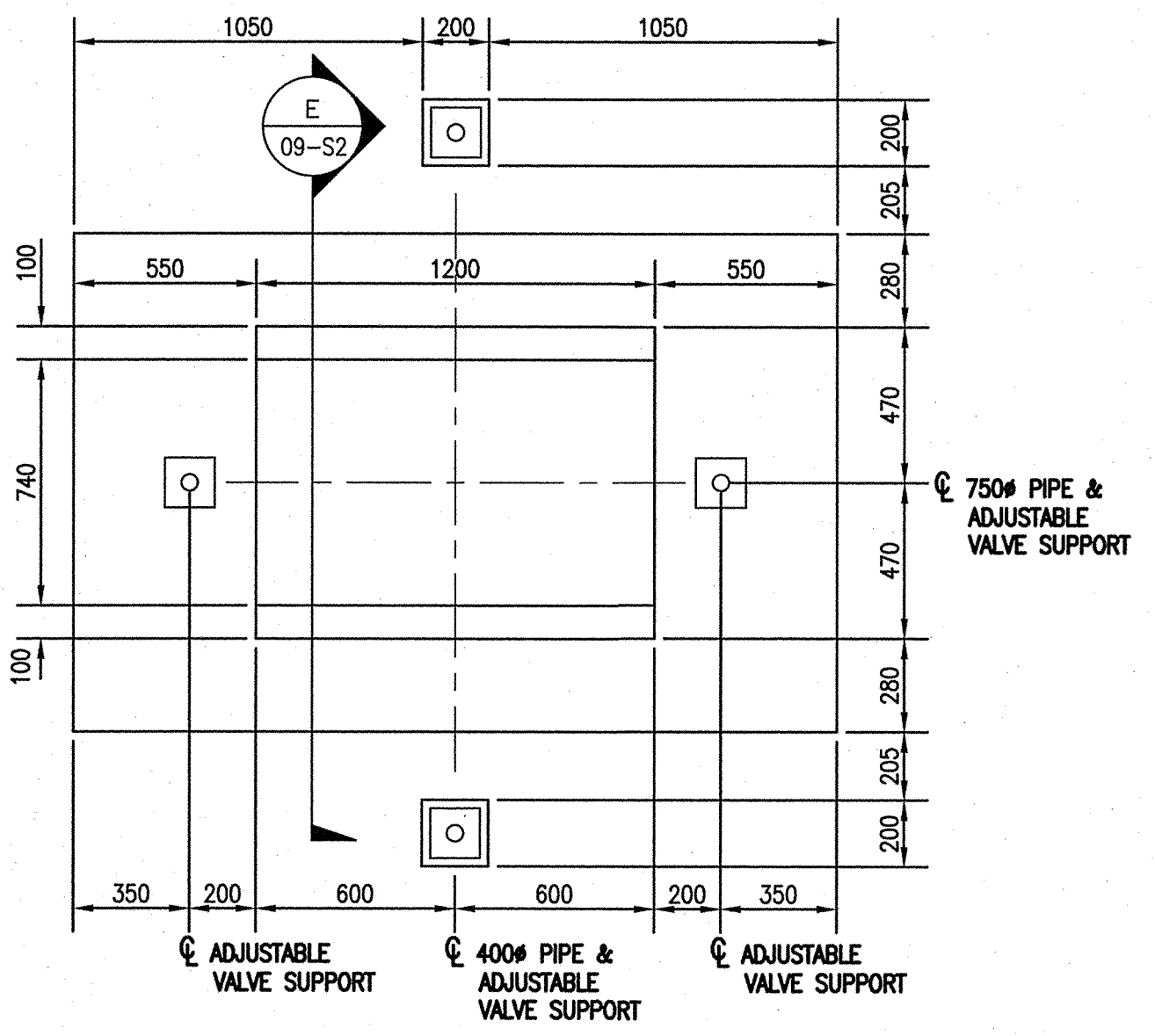


LIFTING LUG DETAILS FOR REMOVABLE PANELS 1:10

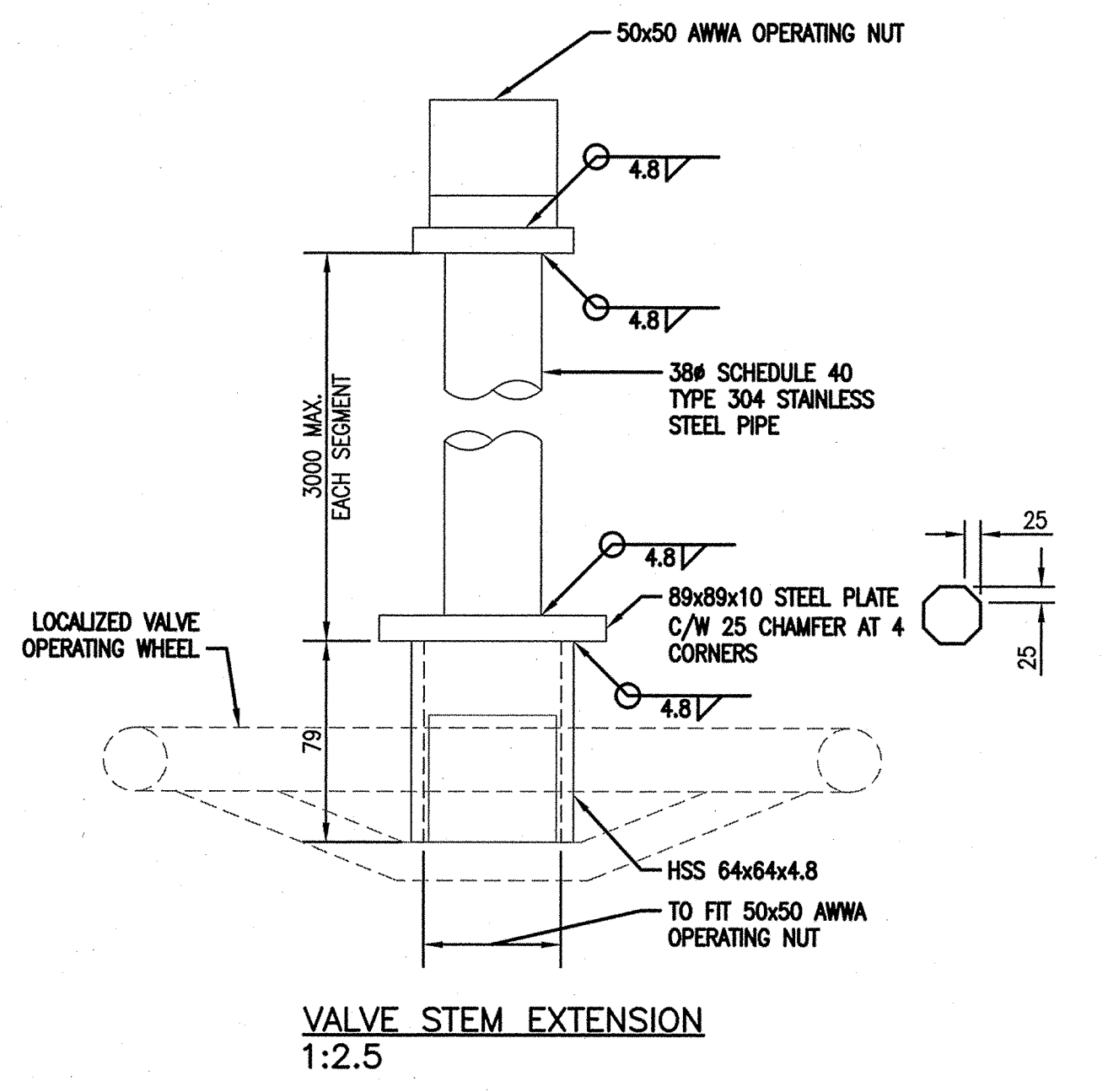
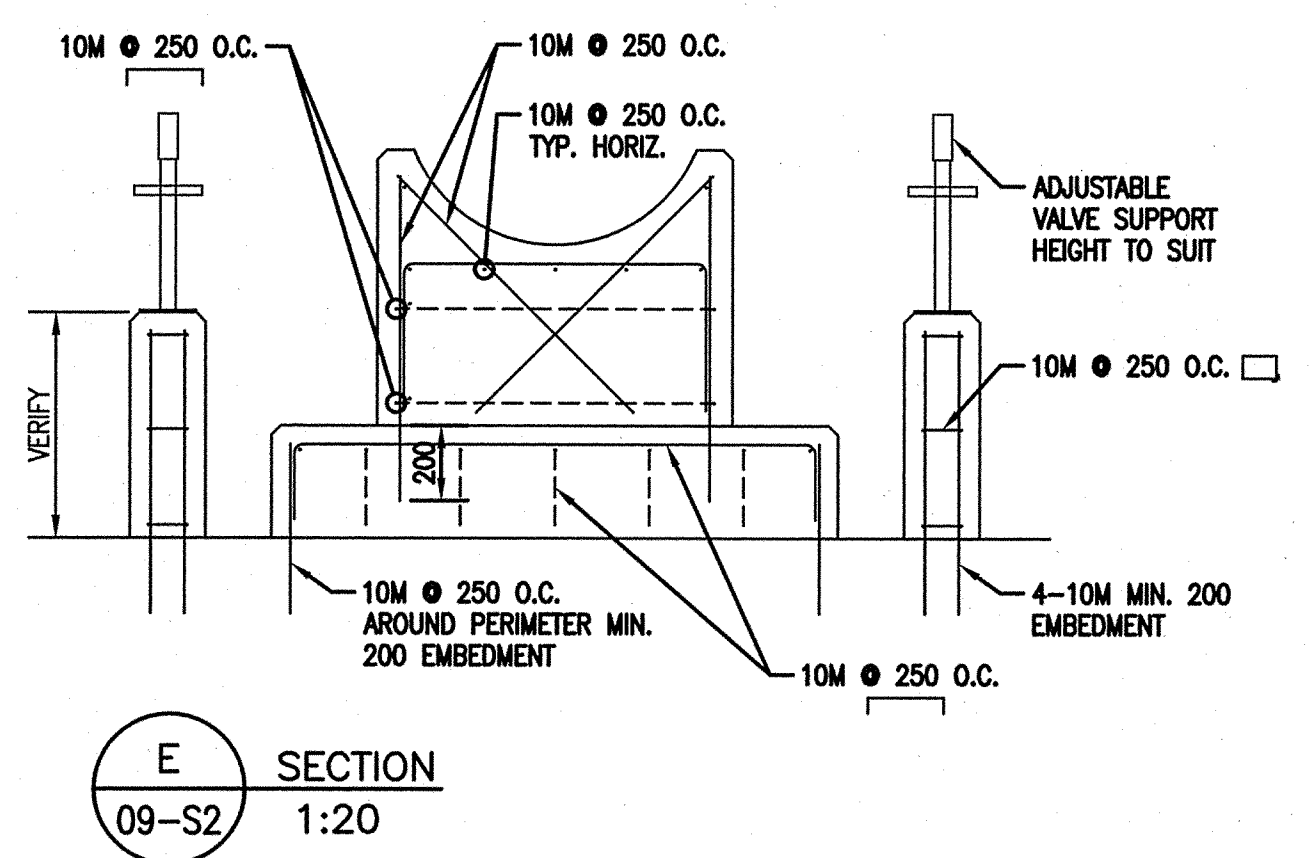
NOTE:
REMOVABLE PANELS TO BE 225mm THK. PRE-CAST CONC. REINFORCED WITH 15M @ 125 O.C., E/W, TOP AND BOTTOM



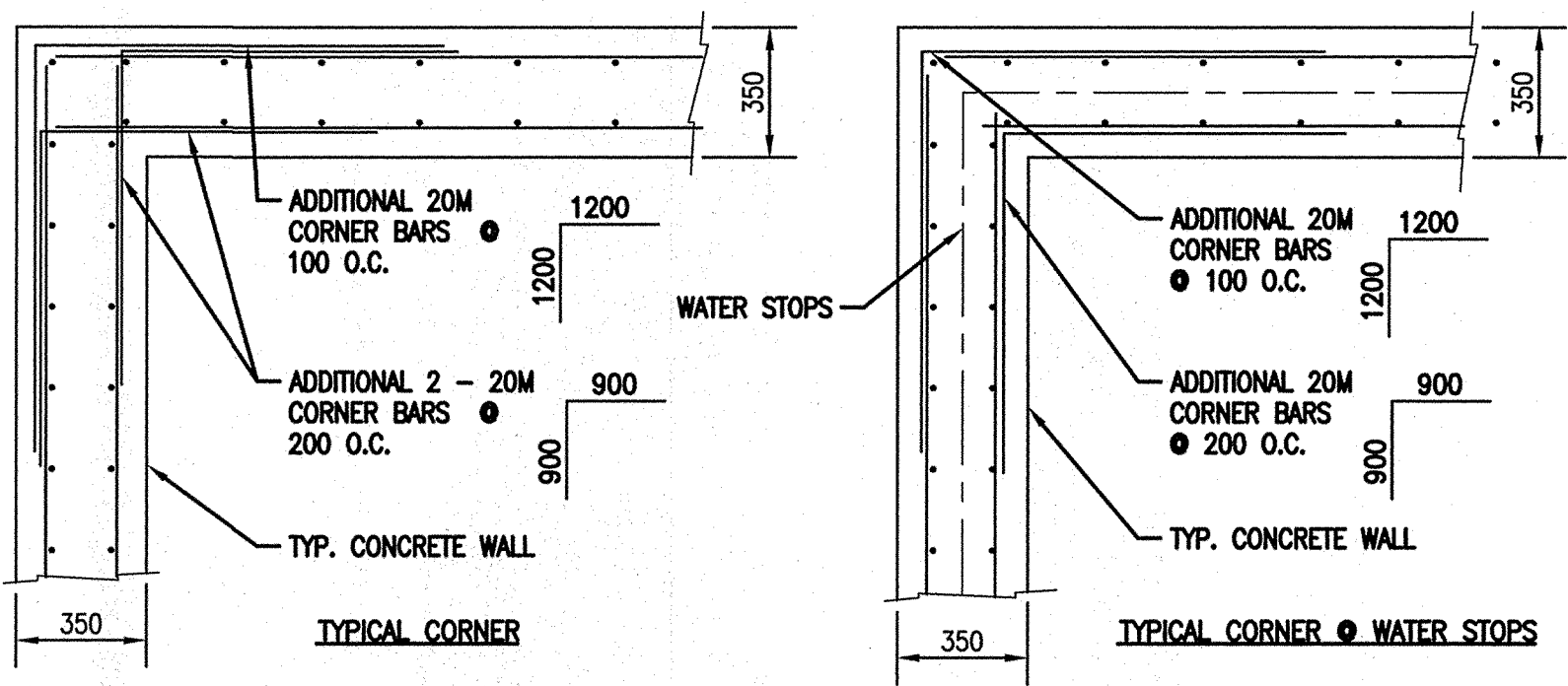
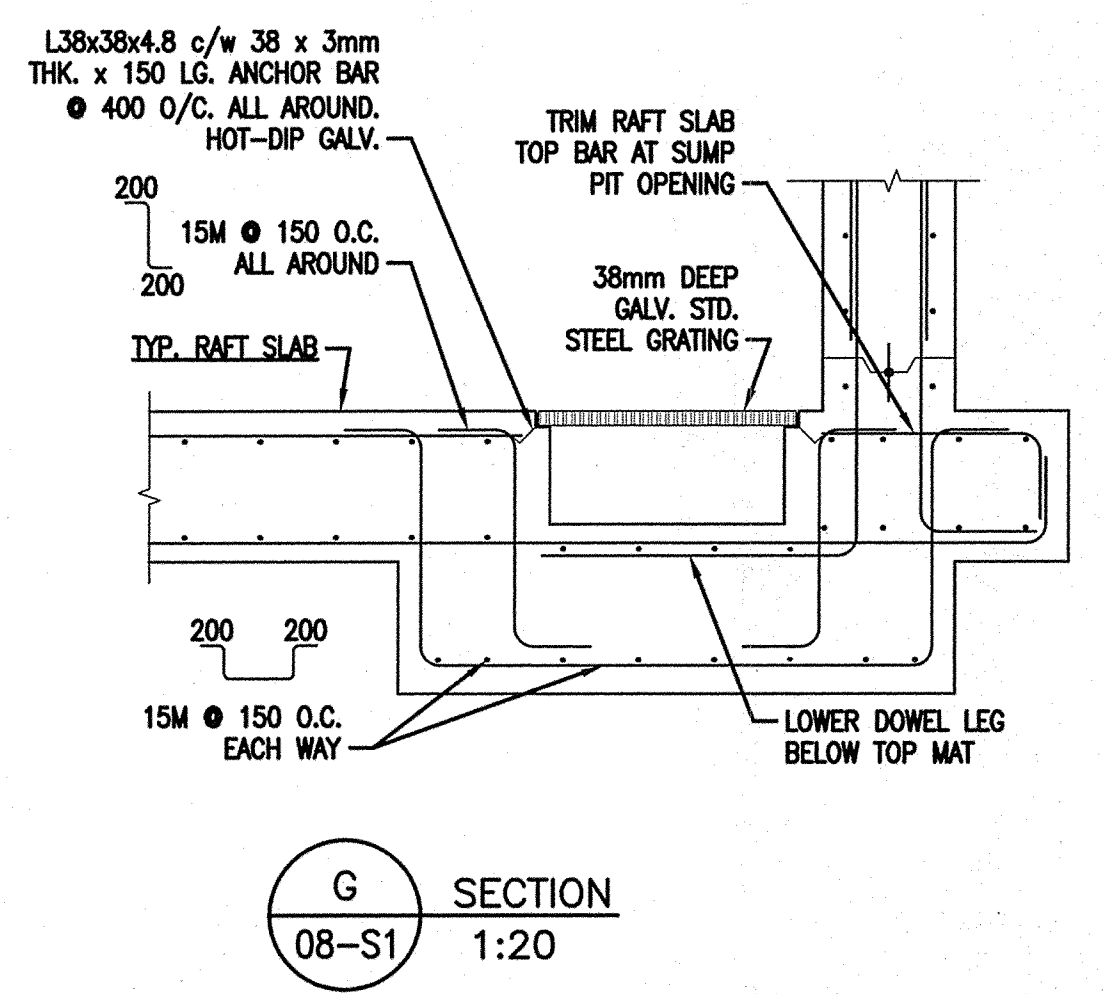
ROOF SLAB EXTRA REINFORCING LAYOUT 1:30



PIPE CROSS BENCHING LAYOUT 1:20



VALVE STEM EXTENSION 1:2.5

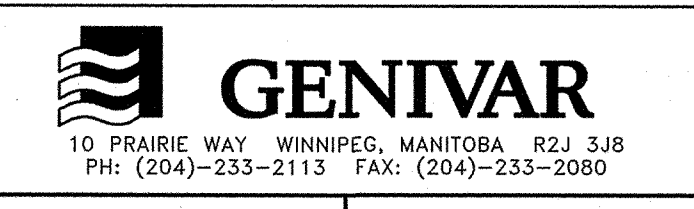
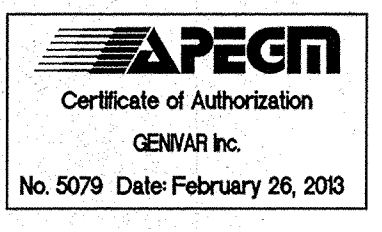


TYPICAL CORNER REINFORCEMENT DETAILS 1:20

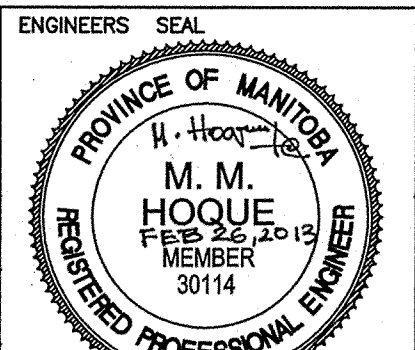
METRIC
WHOLE NUMBERS INDICATE MILLIMETERS
DECIMALIZED NUMBERS INDICATE METERS

LOCATION APPROVED UNDERGROUND STRUCTURES

SUPV. U/G STRUCTURES COMMITTEE DATE
NOTE:
LOCATION OF UNDERGROUND STRUCTURES AS SHOWN ARE BASED ON THE BEST INFORMATION AVAILABLE BUT NO GUARANTEE IS GIVEN THAT ALL EXISTING UTILITIES ARE SHOWN OR THAT THE GIVEN LOCATIONS ARE EXACT. CORROBORATION OF EXISTENCE AND EXACT LOCATION OF ALL SERVICES MUST BE OBTAINED FROM THE INDIVIDUAL UTILITIES BEFORE PROCEEDING WITH CONSTRUCTION.



DESIGNED BY	MMH	CHECKED BY	BM
DRAWN BY	ADK	APPROVED BY	BE
HOR. SCALE:	-	RELEASED FOR CONSTRUCTION	
VERT. SCALE:	-	DATE	2013/02/01
DATE	2013/02/01	DATE	2012/02/27
NO. REVISIONS		DATE	



THE CITY OF WINNIPEG
WATER AND WASTE DEPARTMENT

2013 FEEDERMAIN INSTALLATION AND ASSOCIATED WORKS
KENASTON BOULEVARD
OFFTAKE VALVE CHAMBER CONCRETE & REINFORCING DETAILS 2 OF 2

SHEET 9 OF 10
CITY DRAWING NO. D-13155

CONSULTANT DRAWING NO. 121-25215-00-S2
BID OPPORTUNITY: 181-2013