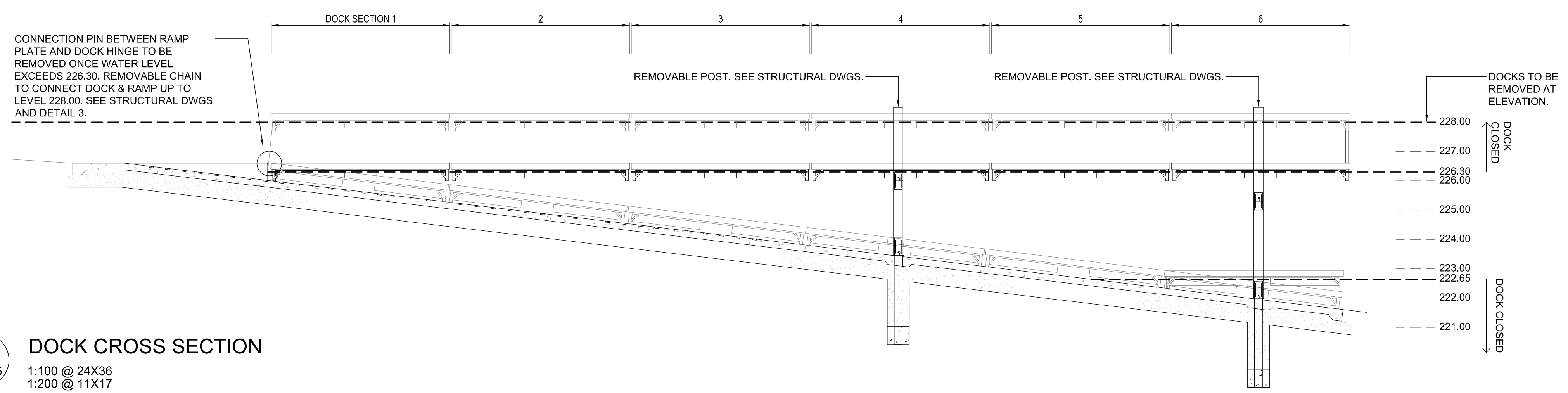
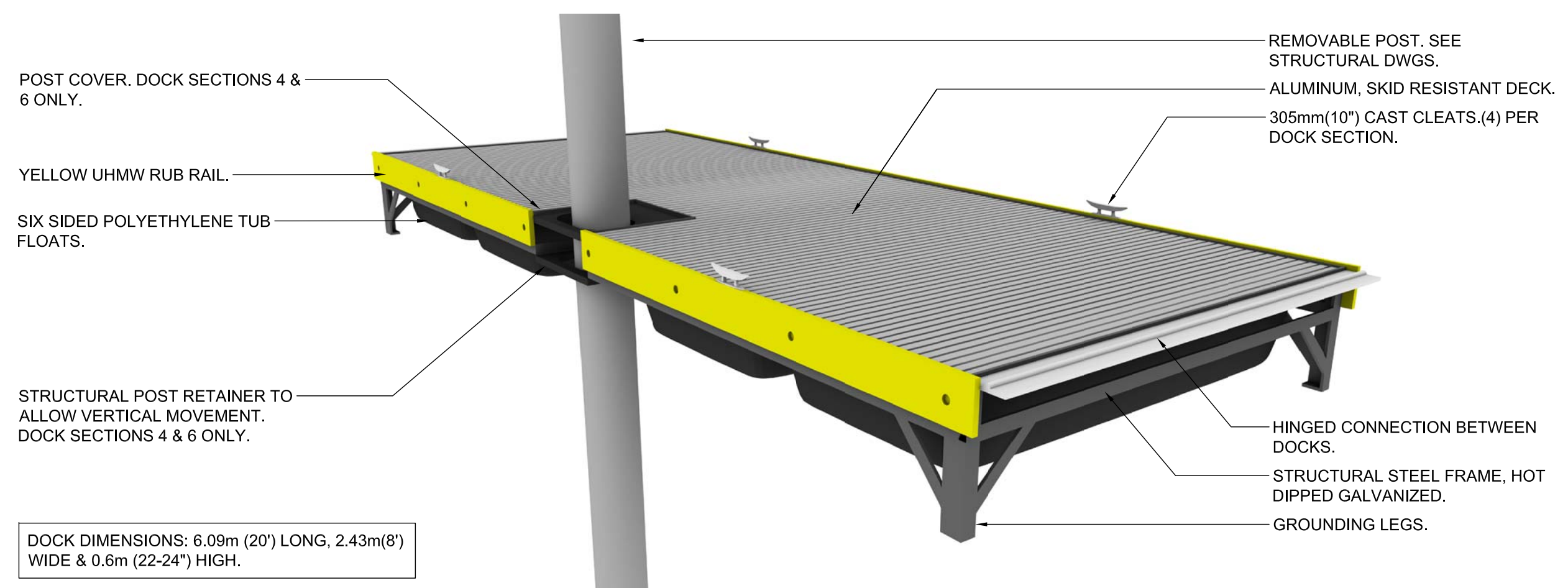


NOTES

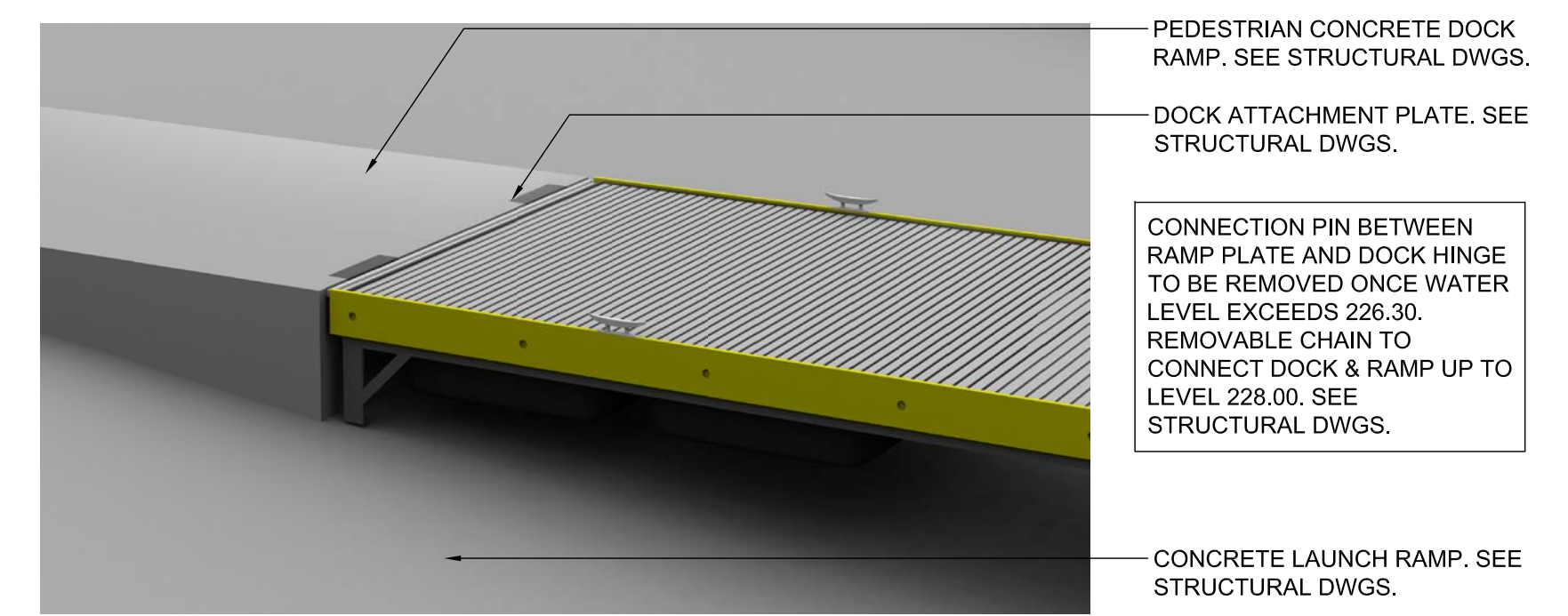


1 DOCK CROSS SECTION
 L01 | L05
 1:100 @ 24X36
 1:200 @ 11X17



DOCK DIMENSIONS: 6.09m (20') LONG, 2.43m(8') WIDE & 0.6m (22-24") HIGH.

2 DOCK SECTION TYPICAL DETAIL
 L05
 NTS



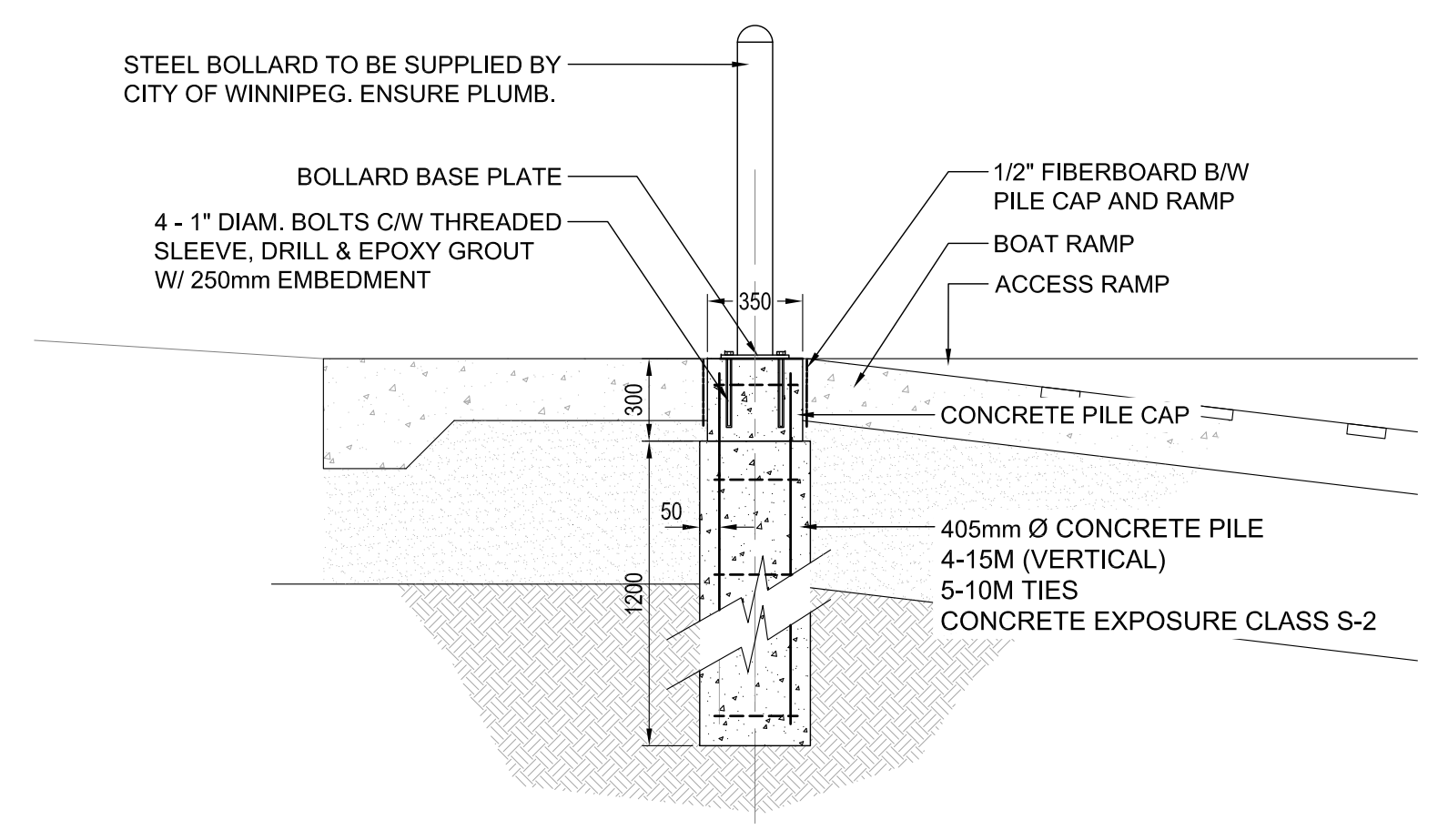
3 DOCK SECTION 1 ATTACHMENT DETAIL
 L05
 NTS

DOCK NOTES:

- PERFORMANCE CRITERIA:**
- FLOATING DOCK SECTIONS MUST BE REMOVABLE AND ABLE TO ADJUST TO RIVER FLUCTUATIONS.
 - TYPICAL FREEBOARD FOR DOCK UNDER DEAD LOAD IS TO BE 16"-18".
 - TYPICAL WEIGHT CAPACITY OF INDIVIDUAL DOCK SECTION IS TO BE FOR A MINIMUM 20PSF (3200LBS) OF LIVE LOAD.
 - DOCK AND COMPONENTS MUST BE ABLE TO WITHSTAND TEMPERATURE RANGES WITHIN WINNIPEG. (DOCKS WILL BE STORED OUT OF WATER).
 - SURFACE TO BE SKID RESISTANT.

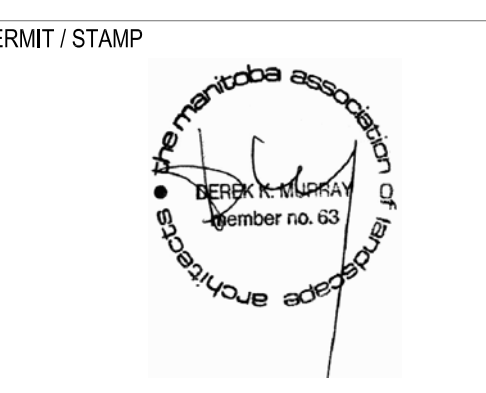
- STRUCTURAL CRITERIA:**
- SIX (6) FLOATING DOCK SECTIONS 8' WIDE X 20' LONG X 22-24" HIGH.
 - STRUCTURAL STEEL FRAME, HOT DIPPED GALVANIZED.
 - ALUMINUM, SOLID, SKID RESISTANT DECK.
 - HINGED CONNECTIONS BETWEEN DOCK SECTIONS.
 - SIX SIDED POLYETHYLENE TUB FLOATS.
 - FOUR (4) GROUNDING LEGS PER SECTIONS.
 - TWO (2) EACH INTERNAL POST RETAINERS AND COVERS.
 - FOUR (4) EACH 10" CAST CLEATS PER SECTIONS.
 - YELLOW UHMW (ULTRA HIGH MOLECULAR WEIGHT POLYETHYLENE) RUB RAIL TO ALL EXPOSED DOCK FACES.
 - REMOVABLE CHAIN CONNECTION BETWEEN DOCK AND CONCRETE PEDESTRIAN RAMP.
 - 1093mm (43") HIGH STRUCTURAL STEEL GUARD RAIL, HOT DIPPED GALVANIZED.
 - GALVANIZED DOCK BRACKET.

- PRODUCTION CRITERIA:**
- ENGINEER STAMPED SHOP DRAWINGS TO BE PROVIDED PRIOR TO MANUFACTURING.
 - FREIGHT TO SITE OR CITY OF WINNIPEG STORAGE YARD.
 - 2YR WARRANTY ON ALL COMPONENTS SUPPLIED.
 - INSTALLATION AND REMOVAL MANUAL.
 - MAINTENANCE GUIDE.



4 REMOVEABLE BOLLARD SECTION
 L01 | L05
 1 : 25

PRELIMINARY
 NOT FOR CONSTRUCTION



REV	DATE	DESCRIPTION
0	13/03/13	ISSUED FOR TENDER

CLIENT
 THE CITY OF WINNIPEG
 PLANNING, PROPERTY & DEVELOPMENT DEPARTMENT

PROJECT
 ST VITAL PARK
 BOAT LAUNCH REDEVELOPMENT

TITLE
 DOCK & BOLLARD DETAILS

SCALE: SEE DETAIL
 PROJECT NUMBER: -
 DRAWN BY: RG

L05