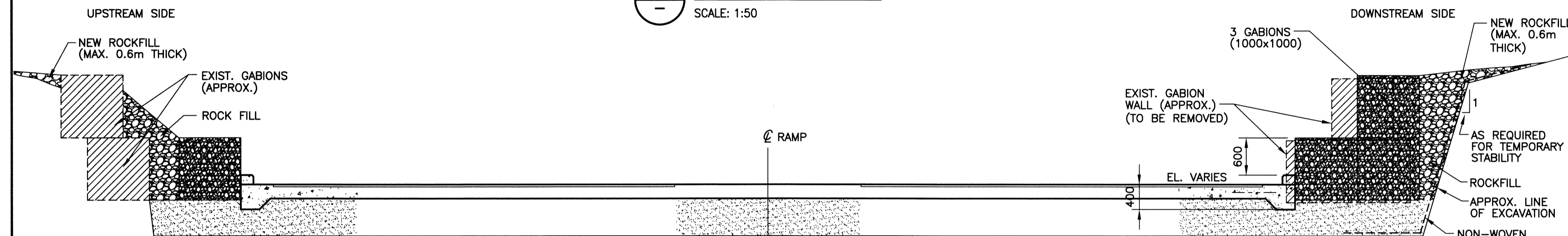
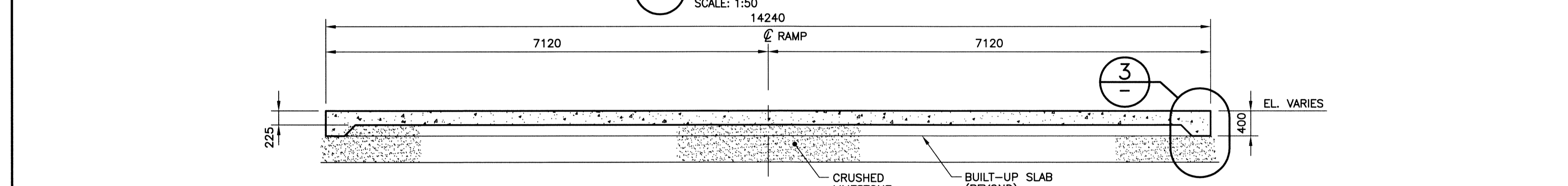


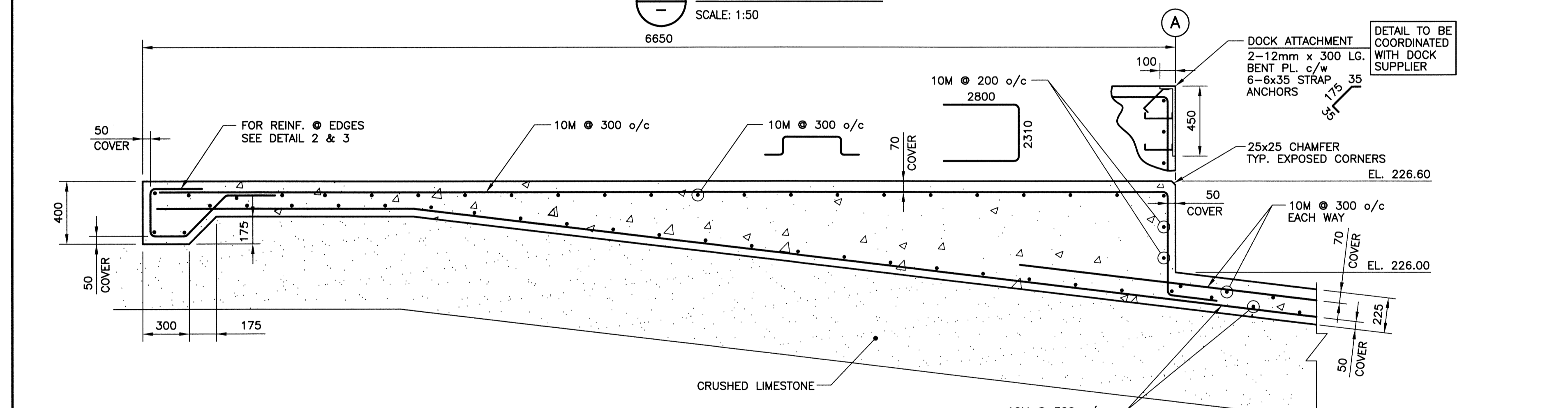
B CROSS SECTION
SCALE: 1:50



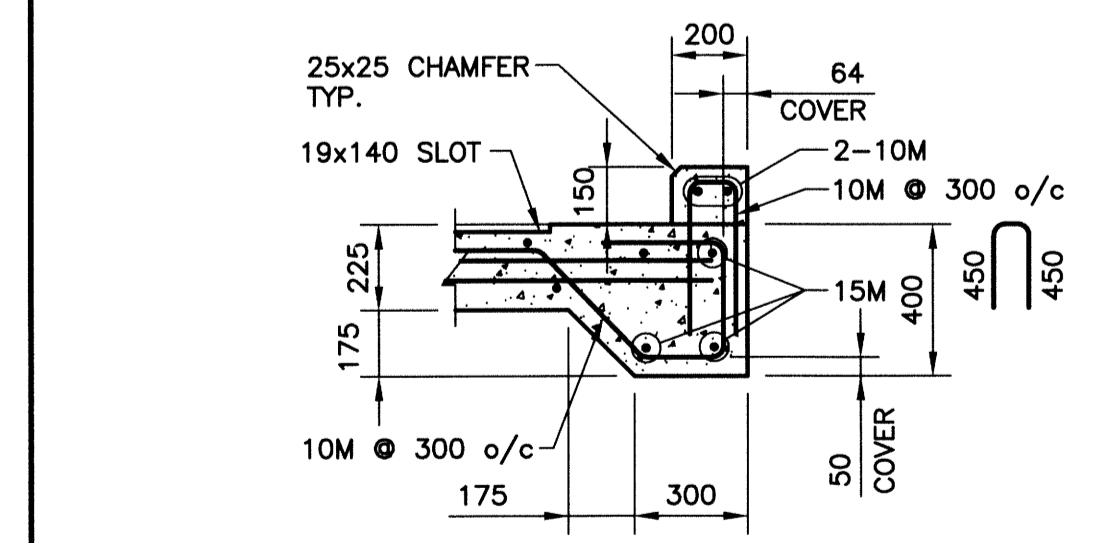
B1 CROSS SECTION
SCALE: 1:50



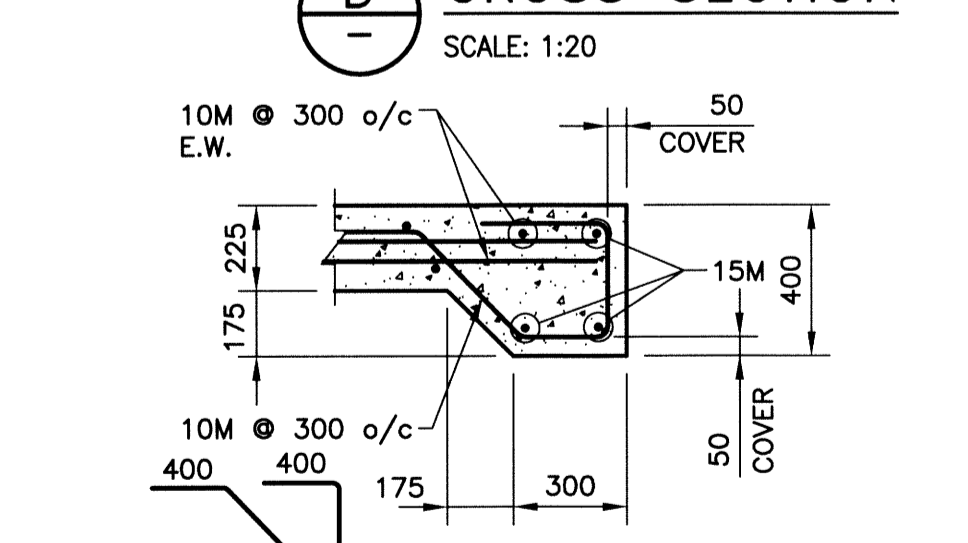
C CROSS SECTION
SCALE: 1:50



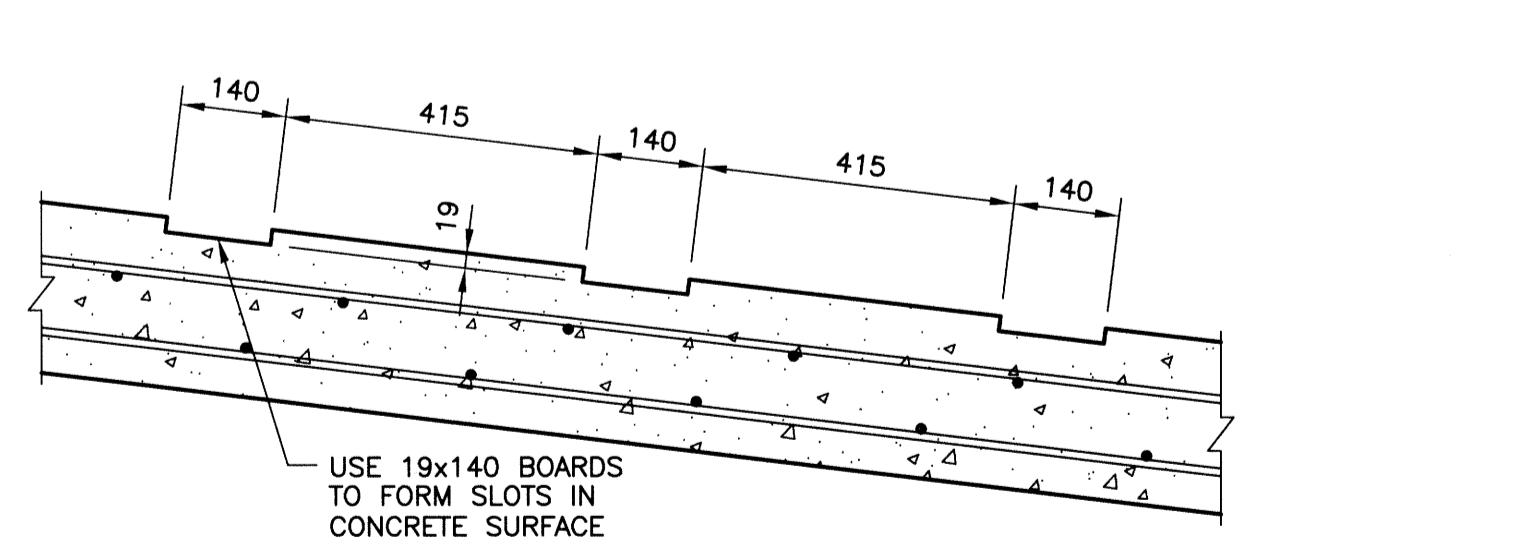
A CROSS SECTION
SCALE: 1:20



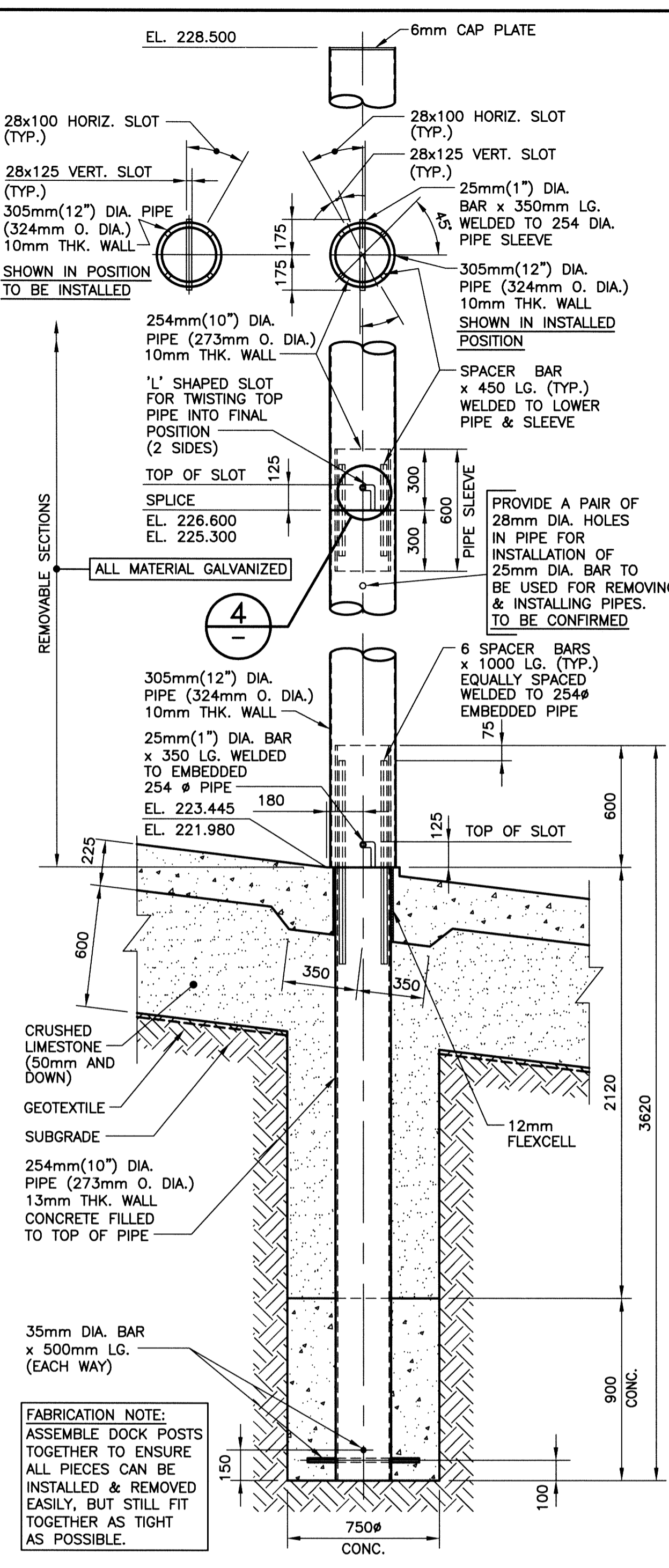
2 DETAIL
SCALE: 1:20



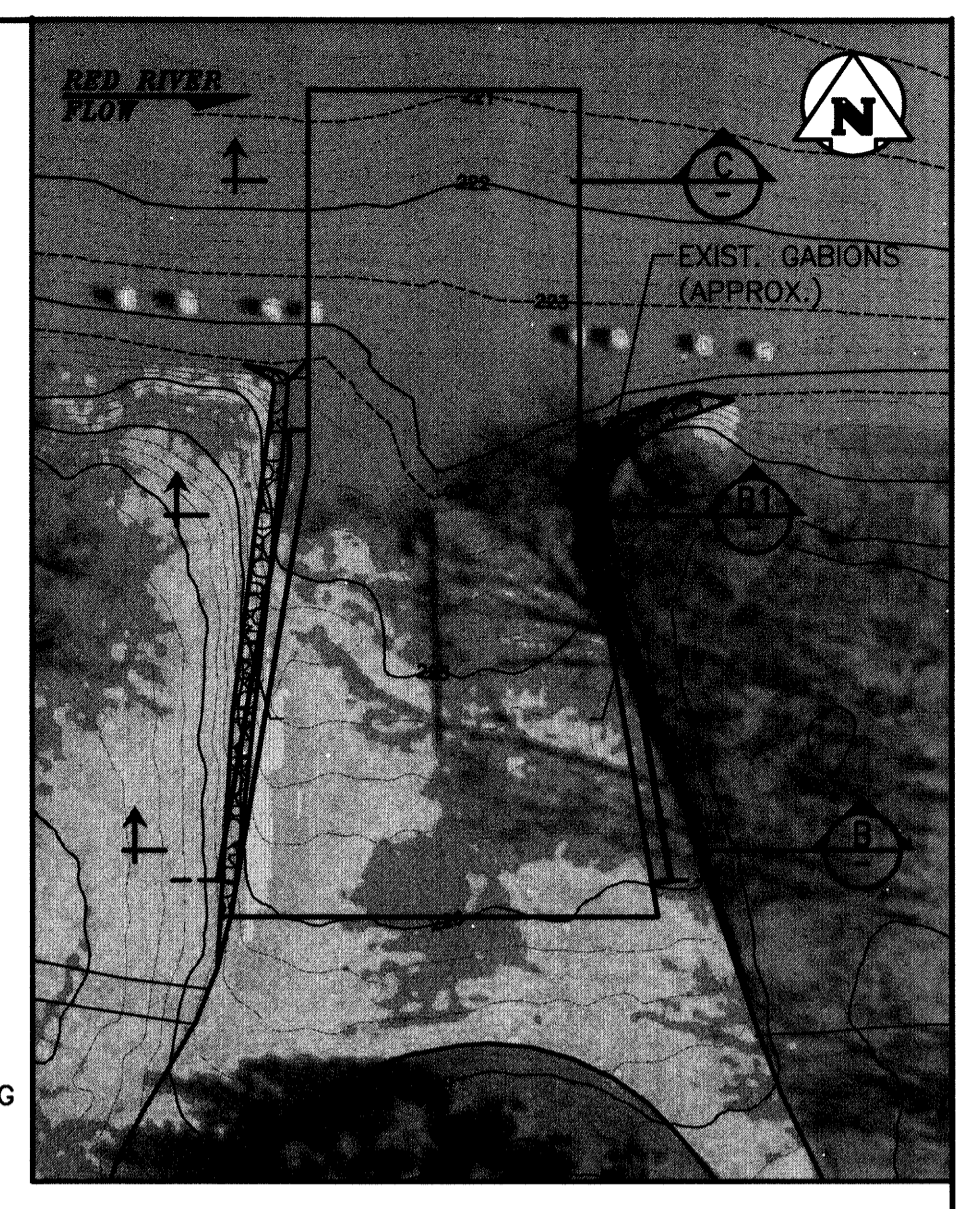
3 DETAIL
SCALE: 1:20



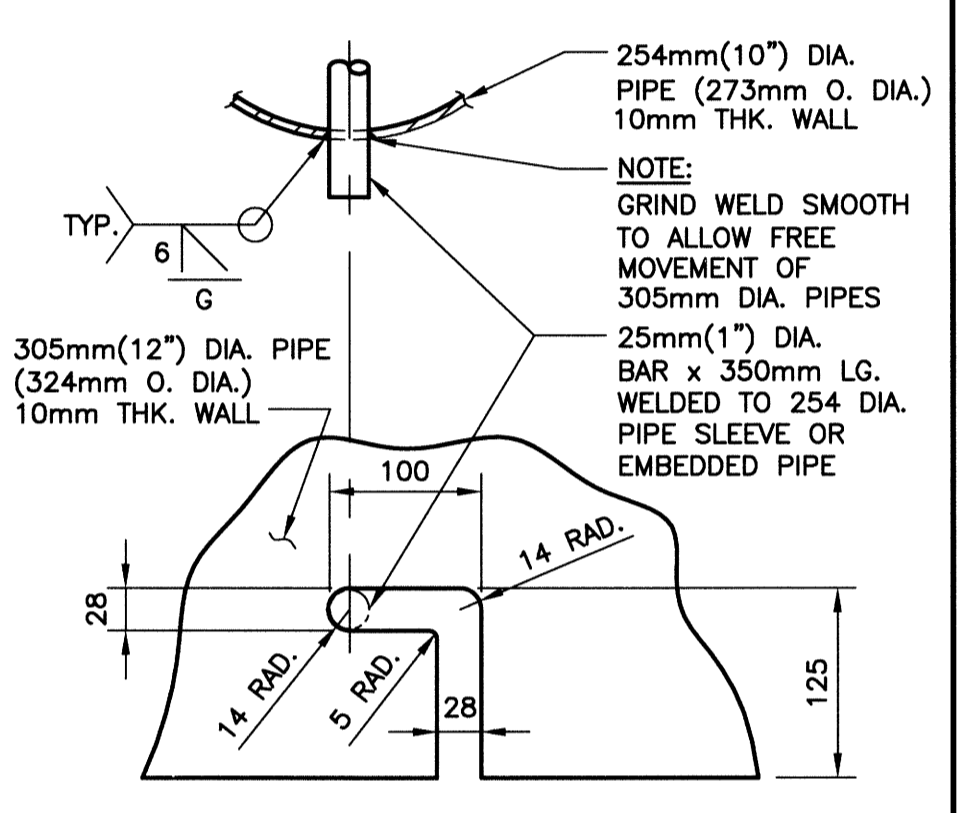
E SECTION (TYPICAL PATTERN FOR SLOTS)
SCALE: 1:10



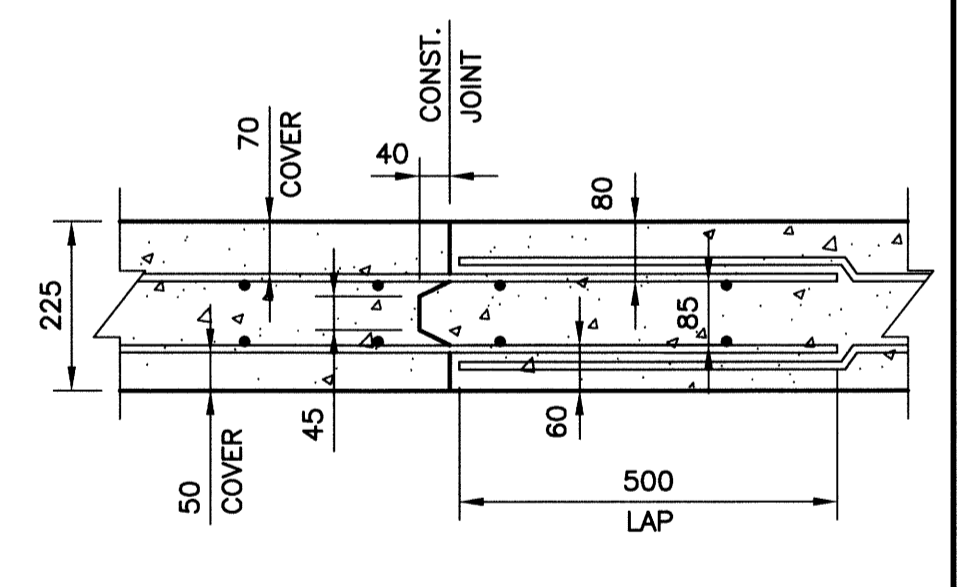
1 DOCK POST DETAIL
SCALE: 1:20



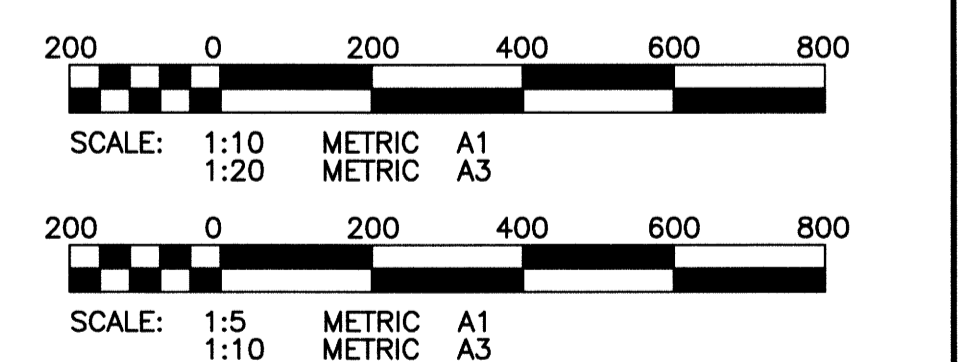
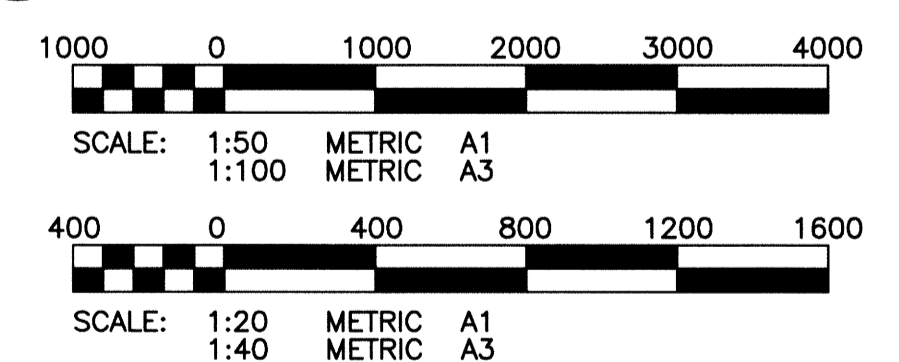
KEY MAP



4 SLOT DETAIL (DEVELOPED VIEW ON RADIUS OF PIPE)
SCALE: 1:5



F SECTION (CONST. JOINT)
SCALE: 1:10



PRELIMINARY
NOT TO BE USED FOR CONSTRUCTION

METRIC
WHOLE NUMBERS INDICATE MILLIMETRES
DECIMALIZED NUMBERS INDICATE METRES

APEGN
Certificate of Authorization
KGS Group
No. 245

EXISTING	LEGEND-PLAN	PROPOSED	EXISTING	LEGEND-PLAN	PROPOSED	EXISTING	LEGEND-PROFILE	PROPOSED
150 WM	WATERMAIN	150 WM	---	HYDRO	---	150 WM	WATERMAIN	150 WM
+	HYDRANT	+	---	M.T.S.	---	+	HYDRANT, VALVE	+
⊗	VALVE	⊗	---	CONCRETE	---	⊗	LAND DRAINAGE SEWER	⊗
300 LDS	LAND DRAINAGE SEWER	300 LDS	---	ASPHALT	---	250 WWS	WASTE WATER SEWER	250 WWS
250 WWS	WASTE WATER SEWER	250 WWS	---	SIDEWALK	---	---	PROFILE	---
○	MANHOLE	○	---	KGS TEST HOLE	---	□	NORTH/WEST GUTTER	□
□	CATCH BASIN	□	---	PROPERTY LINE	---	○	SOUTH/EAST GUTTER	○
▽	CURB INLET	▽	---	SURVEY BAR	---	◇, ○	N/W, S/E B'S	---
+	JUNCTIONS	+	---	DITCH	---	□, ○	N/W, S/E TOP/CURB	---
▽	CULVERT	▽	---	ELEVATION	---	△	NORTH/WEST DITCH	---
---	GAS	---	---	---	---	▽	SOUTH/EAST DITCH	---

LOCATION APPROVED
UNDERGROUND STRUCTURES

SUPV. U/G STRUCTURES COMMITTEE DATE

NOTE:
LOCATION OF UNDERGROUND STRUCTURES AS SHOWN ARE BASED ON THE BEST INFORMATION AVAILABLE BUT NO GUARANTEE IS GIVEN THAT ALL EXISTING UTILITIES ARE SHOWN OR THAT THE GIVEN LOCATIONS ARE EXACT. CONFIRMATION OF EXISTENCE AND EXACT LOCATION OF ALL SERVICES MUST BE OBTAINED FROM THE INDIVIDUAL UTILITIES BEFORE PROCEEDING WITH CONSTRUCTION.

NO.	REVISIONS	DATE	BY
0	ISSUED FOR TENDER	13/03/07	RJL
		12/12/04	

KGS GROUP
CONSULTING ENGINEERS

SCATLUFF + MILLER + MURRAY INC.
11 HANOVER SQUARE
WINNIPEG, MB CANADA

DESIGNED BY: RJL
CHECKED BY: [Signature]

DRAWN BY: JF
APPROVED BY: [Signature]

SCALE: AS NOTED
RELEASED FOR CONSTRUCTION: [Signature]

DATE: 12/12/04

ENGINEER'S SEAL

R.J. LONG
PROFESSIONAL ENGINEER

CONSULTANT DRAWING NO.
12-0109-009-SS2

THE CITY OF WINNIPEG
PLANNING, PROPERTY & DEVELOPMENT DEPARTMENT

PROJECT TITLE: **ST. VITAL PARK BOAT LAUNCH CROSS SECTIONS & DETAILS**

SHEET OF

COMPUTER FILE NAME: **12-0109-009**

CITY DRAWING NUMBER

P:\Projects\2012\12-0109-009\DecControl\ToBisasse\DWG\12-0109-009-SS2-Rev 0.dwg - Tab: SS2 Plotted By: Dberche 03/06/2013 [Wed 8:23am] COWLEGGEND