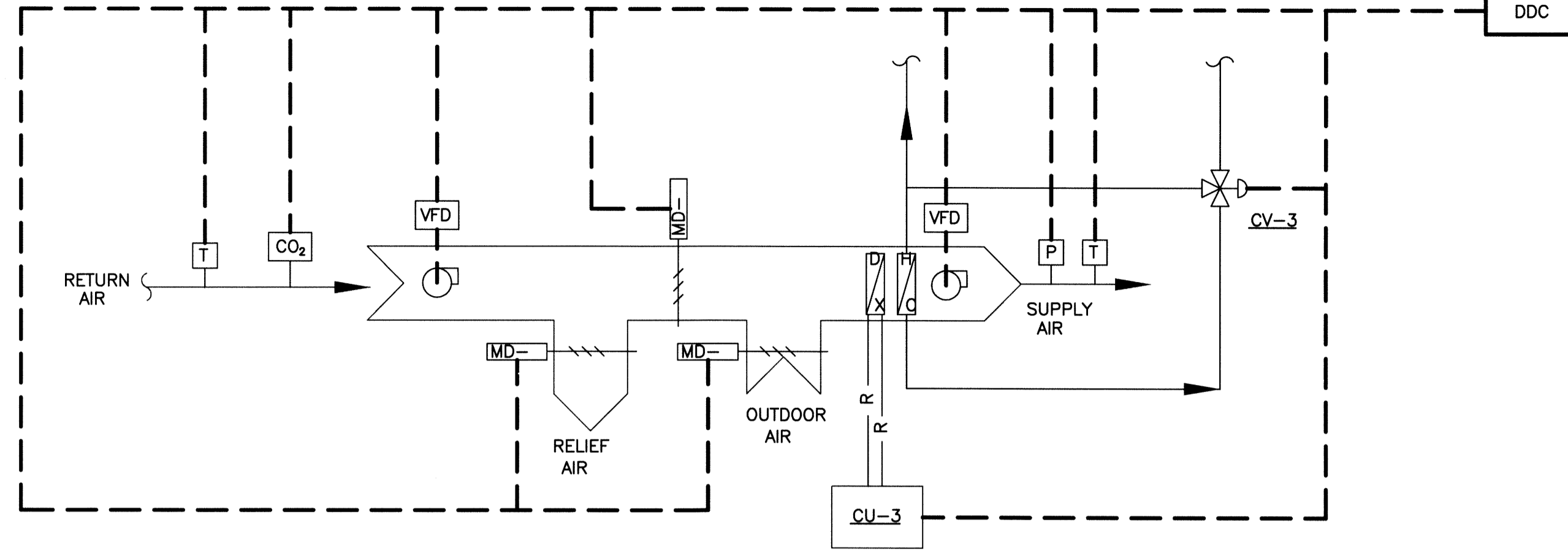
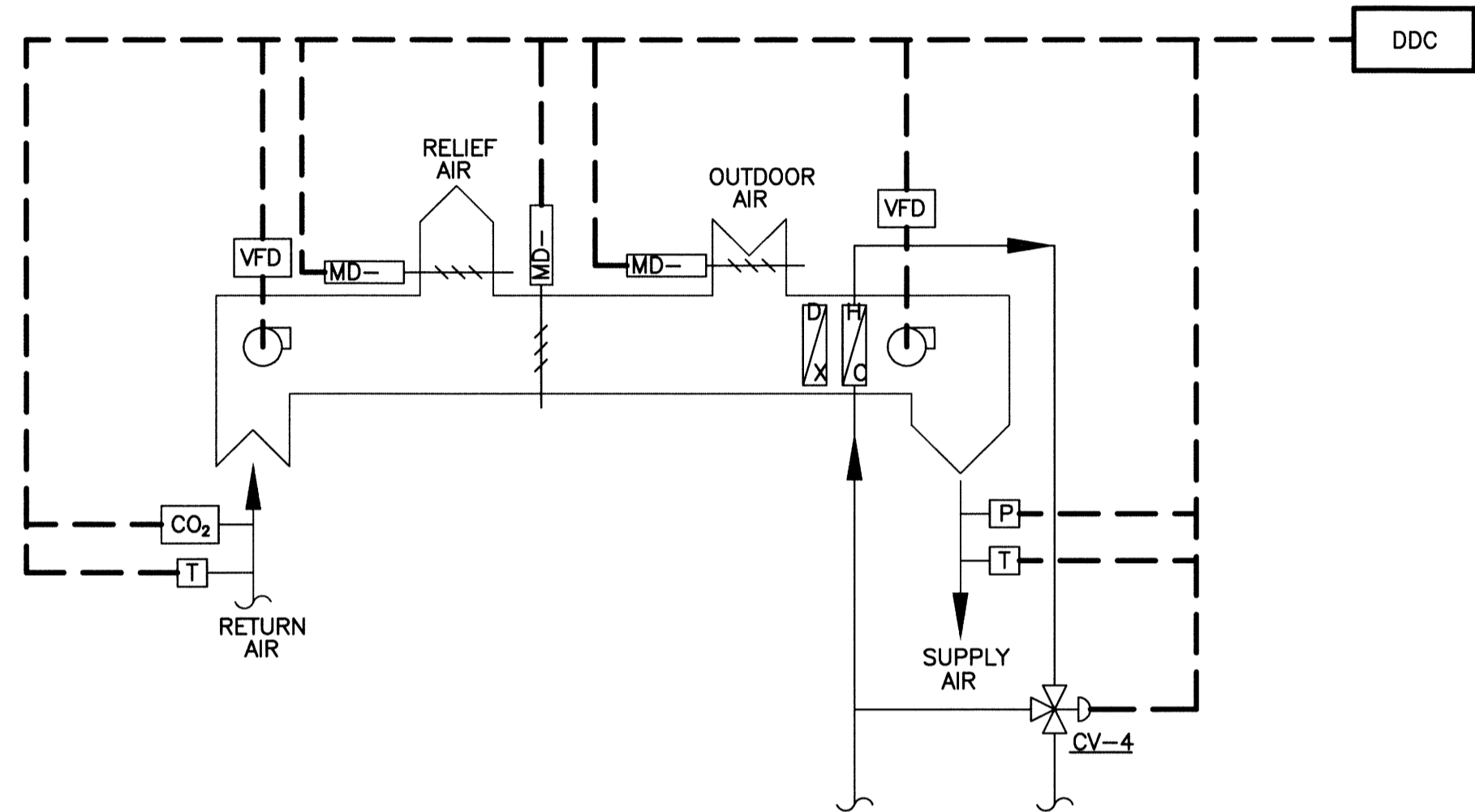


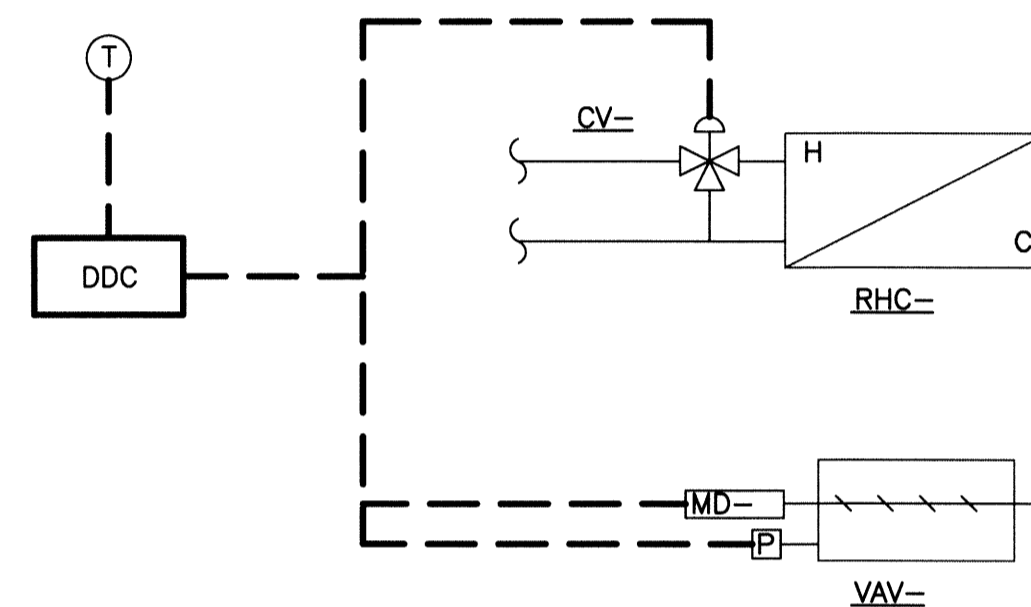
**1 UNIT HEATERS (TYP.)**  
SCALE: N.T.S.



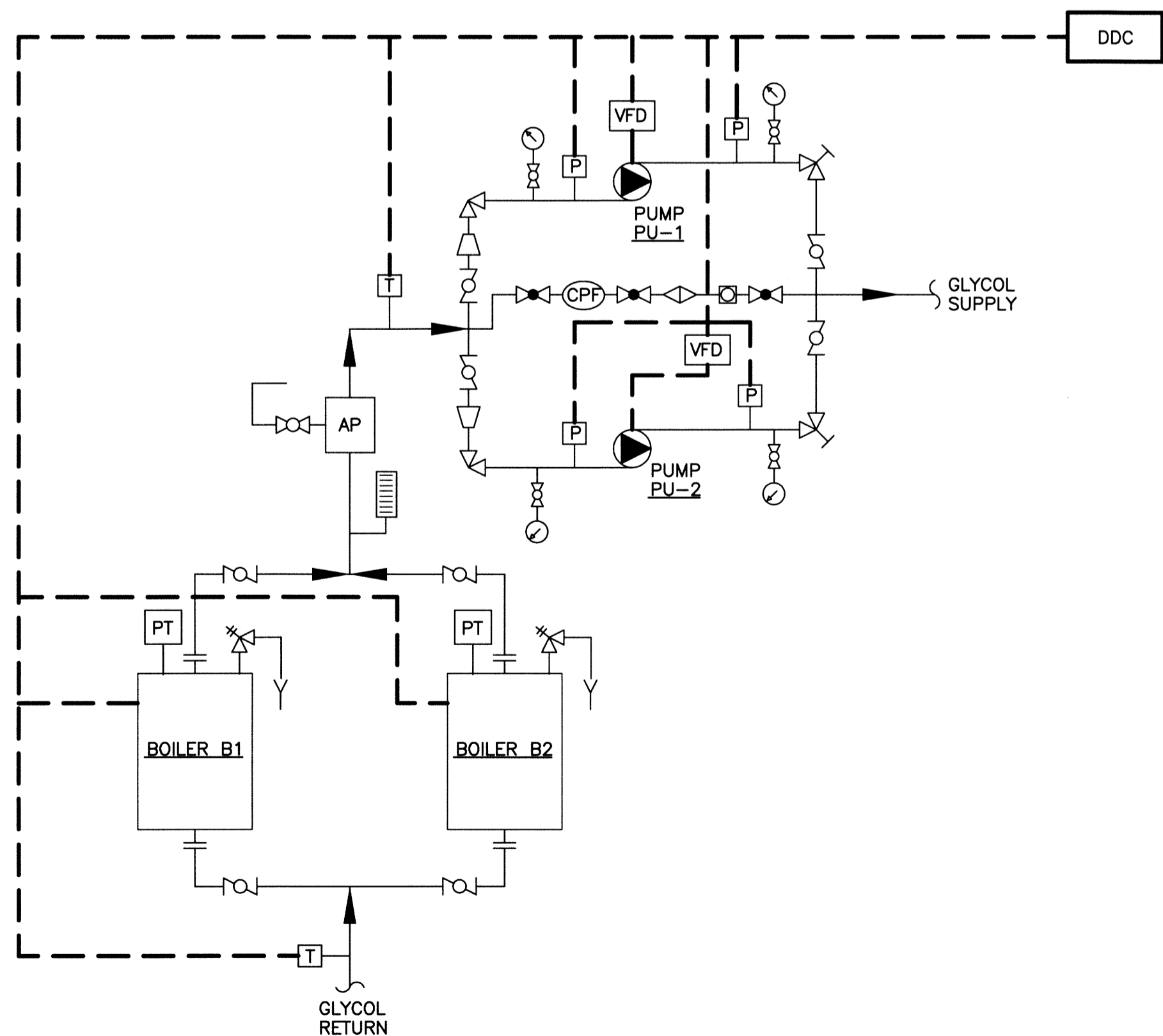
**2 AIR HANDLING UNIT AHU-3**  
SCALE: N.T.S.



**3 AIR HANDLING UNIT AHU-4**  
SCALE: N.T.S.



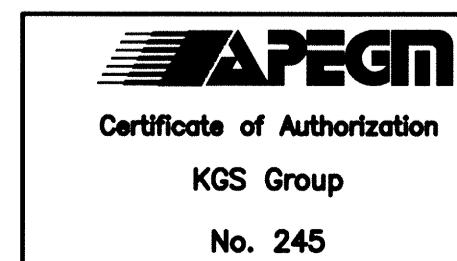
**5 VAV AND REHEAT COILS (TYP.)**  
SCALE: N.T.S.



**4 BOILER AND PUMPS**  
SCALE: N.T.S.

- LEGEND:**
- TEMPERATURE SENSOR
  - MOTORIZED DAMPER
  - PRESSURE TEMPERATURE INDICATOR
  - AIR PURGER C/W AIR VENT
  - DIRECT DIGITAL CONTROL
  - 3-WAY MIXING VALVE (SIZE AS PER CONTROLS CONTRACTOR)
  - BUTTERFLY VALVE
  - REDUCER
  - DRAIN
  - TRIPLE DUTY VALVE c/w CHECK VALVE
  - SUCTION DIFFUSER C/W STRAINER
  - PRESSURE RELIEF VALVE SIZED TO DEPARTMENT OF LABOUR REQUIREMENTS
  - FLOW INDICATOR
  - CHEMICAL POT FEEDER
  - THERMOSTAT
  - PRESSURE GAUGE c/w BALL VALVE
  - THERMOMETER
  - FILTER
  - R REFRIGERANT PIPING
  - CONTROL WIRING
  - RHC- REHEAT COIL
  - VAV- VARIABLE VOLUME BOX
  - HC HEATING COIL
  - CU- CONDENSING UNIT
  - CUH- CABINET UNIT HEATER
  - P PRESSURE SENSOR
  - CO2 CARBON DIOXIDE DETECTOR

KGS FILE NO.: P:\PROJECTS\2011\11-0107-02\DWG\MECH\11-0107-02\_M10.dwg



B.M. ELEV.			
DESIGNED BY	PSS	CHECKED BY	RED
DRAWN BY	VJH	APPROVED BY	
1	RE-ISSUED FOR TENDER	13/03/08	
0	ISSUED FOR TENDER	12/03/27	PSS
NO.	REVISIONS	DATE	BY

**KGS GROUP** CONSULTING ENGINEERS & PROJECT MANAGERS  
WINNIPEG (204) 896-1209  
THUNDER BAY (807) 345-2233

DESIGNED BY: PSS  
DRAWN BY: VJH  
HOR. SCALE: AS SHOWN  
VERTICAL: .

CHECKED BY: RED  
APPROVED BY: [Signature]  
RELEASED FOR CONSTRUCTION: [Signature]

ENGINEER'S SEAL  
P.S. SILVA  
Member  
21131  
PROFESSIONAL ENGINEER

CONSULTANT DRAWING NO.  
P2-M10

**THE CITY OF WINNIPEG**  
PLANNING, PROPERTY AND DEVELOPMENT DEPARTMENT

PROJECT TITLE  
FORT ROUGE LEISURE CENTRE  
HVAC UPGRADE - PHASE 2  
BID OPPORTUNITY NO. 190-2013

SHEET OF  
001 001  
COMPUTER FILE NAME  
11-0107-02-P2-M10  
CITY DRAWING NUMBER

CONTROLS SCHEMATIC