

1 ROOF/CEILING SPACE PLAN
 SCALE: 1:100mm (24"x36")
 1:200mm (11"x17")

STRUCTURAL AND MISCELLANEOUS STEEL:

- STRUCTURAL AND MISCELLANEOUS STEEL FABRICATION AND ERECTION SHALL BE IN ACCORDANCE WITH CAN/CSA S16 (LATEST).
- STRUCTURAL STEEL SHALL MEET THE REQUIREMENTS OF CAN/CSA G40.20/G40.21 (LATEST).
 ROLLED W-SHAPES CSA G40.21-350W
 ROLLED SHAPES & PLATES CSA G40.21-300W
 ANCHOR BOLTS (GALV.) ASTM A307
 BOLTS, NUTS, & WASHERS ASTM A325
 WELDING ELECTRODES CSA W48.1
- WELDING SHALL BE IN ACCORDANCE WITH CSA W59 (LATEST), BY WELDERS CERTIFIED AND QUALIFIED IN ACCORDANCE WITH CSA W47.1 (LATEST). ALL WELDS TO BE 6mm UNLESS NOTED OTHERWISE.
- FIELD CONNECTIONS SHALL BE BOLTED 19mm DIAMETER A325 BEARING TYPE UNLESS NOTED OTHERWISE. BOLTS SHALL BE TIGHTENED IN ACCORDANCE WITH CSA S16 (LATEST).
- STRUCTURAL AND MISCELLANEOUS STEEL NOT EMBEDDED IN CONCRETE SHALL BE SURFACE PREPPED AND SHOP PRIMED WITH RED OXIDE PRIMER UNLESS OTHERWISE SPECIFIED.

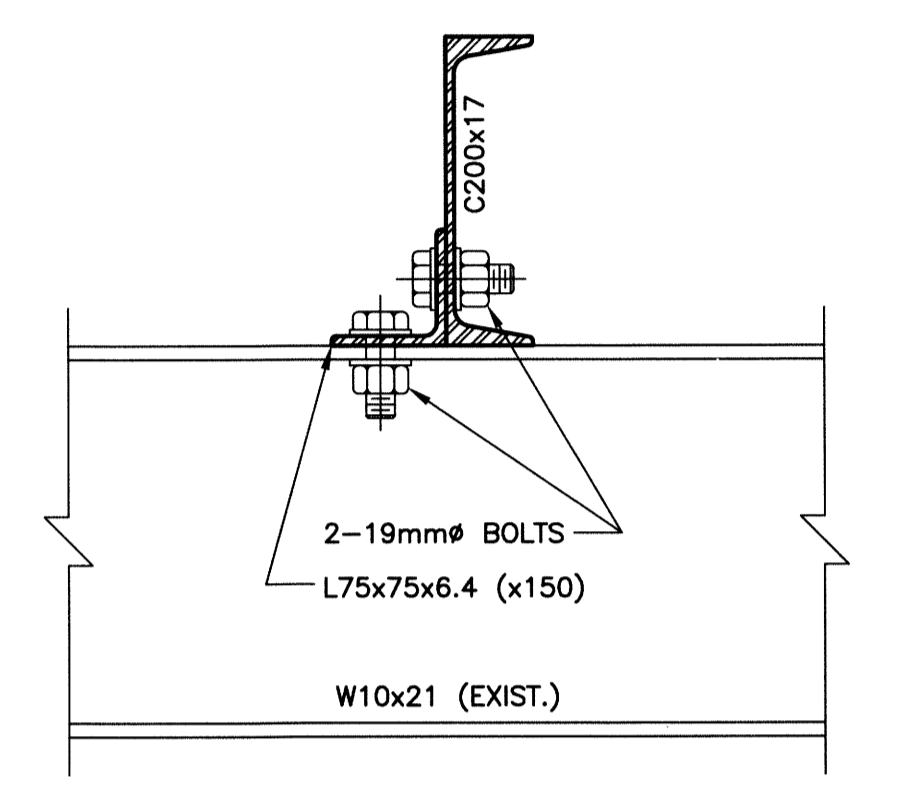
UNIT MASONRY:

- MASONRY UNITS SHALL BE MANUFACTURED IN ACCORDANCE WITH CAN/CSA A165.1 (LATEST). CONSTRUCTION MASONRY IN ACCORDANCE WITH CAN/CSA A370 (LATEST).
- ALL CONCRETE MASONRY TO BE AS NOTED AND DETAILED WITH A MINIMUM NET COMPRESSIVE STRENGTH OF 15 MPa.

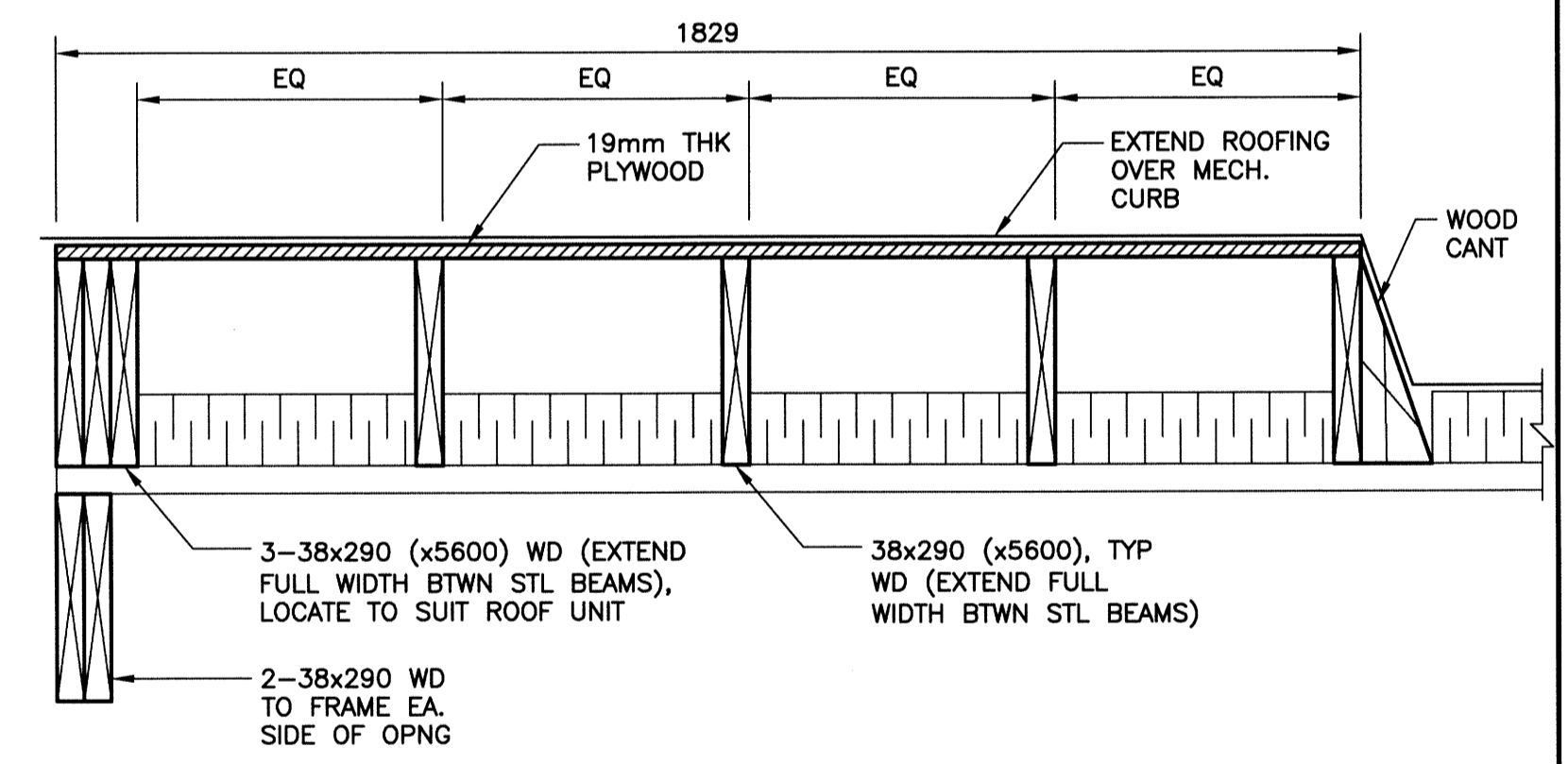
- MORTAR SHALL BE TYPE 'S' AND MANUFACTURED TO CAN/CSA A179 (LATEST). ADMIXTURES SHALL NOT BE USED WITHOUT WRITTEN APPROVAL FROM THE DESIGN ENGINEER.
- CONCRETE IN-FILL SHALL BE 25 MPa CONCRETE; MAX. AGGREGATE 10mm; MAX. SLUMP 100mm (HORIZONTAL IN-FILL); 200mm (VERTICAL IN-FILL).
- PROVIDE 9 GA. LADDER TYPE 'DUR-O-WAL' (OR EQUAL) HORIZONTAL JOINT REINFORCEMENT AT EVERY 2ND COURSE.
- FASTEN VENEER TO BACKUP WALL WITH FERRO TIES SPECIFIED FOR STONEMWORK.

- SCOPE OF WORK NOTES:**
- PROVIDE CHANNEL FRAMES TO SUPPORT NEW AIR HANDLING UNIT AHU-3, DIMENSIONS TO SUIT FINALIZED UNIT DIMENSIONS. PROVIDE NEW OPENINGS THROUGH EXTERIOR MASONRY WALL. REFERENCE MECHANICAL DRAWINGS FOR REQUIRED CHANGES TO SPRINKLER LINES TO ACCOMMODATE NEW MECHANICAL UNIT.
 - PROVIDE NEW OPENING FOR AHU 4 UNIT, FRAME OPENING THROUGH EXISTING ROOF JOISTS.
 - PROVIDE 3-38x290 WD BLOCKING CURBS AND FRAMING FOR ROOF TOP UNIT AHU 4, REFER TO DETAIL SECTION '3/S01'.
- CONTINUED ON DRAWING "S02"

NOTE:
 REFER TO MECHANICAL DRAWINGS FOR SPRINKLER SYSTEM REVISIONS.



2 DETAIL SECTION
 SCALE: 1:5mm (24"x36")
 1:10mm (11"x17")



3 DETAIL SECTION
 SCALE: 1:10mm (24"x36")
 1:20mm (11"x17")



B.M. ELEV. :		KGS GROUP		CONSULTING ENGINEERS & PROJECT MANAGERS	
DESIGNED BY: RJL		CHECKED BY: JMW		ENGINEER'S SEAL	
DRAWN BY: MB		APPROVED BY: [Signature]		Winnipeg Professional Engineer	
1 RE-ISSUED FOR TENDER 13/03/08		HOR. SCALE: AS SHOWN		RELEASED FOR CONSTRUCTION:	
0 ISSUED FOR TENDER 12/03/27		VERTICAL: .		DATE:	
NO. REVISIONS		DATE		DATE	

THE CITY OF WINNIPEG
 PLANNING, PROPERTY AND DEVELOPMENT DEPARTMENT

PROJECT TITLE: FORT ROUGE LEISURE CENTRE HVAC UPGRADE

CONSULTANT DRAWING NO. P2-S01

SHEET OF 001 OF 003
 COMPUTER FILE NAME: 11-0107-02-P2-S01
 CITY DRAWING NUMBER