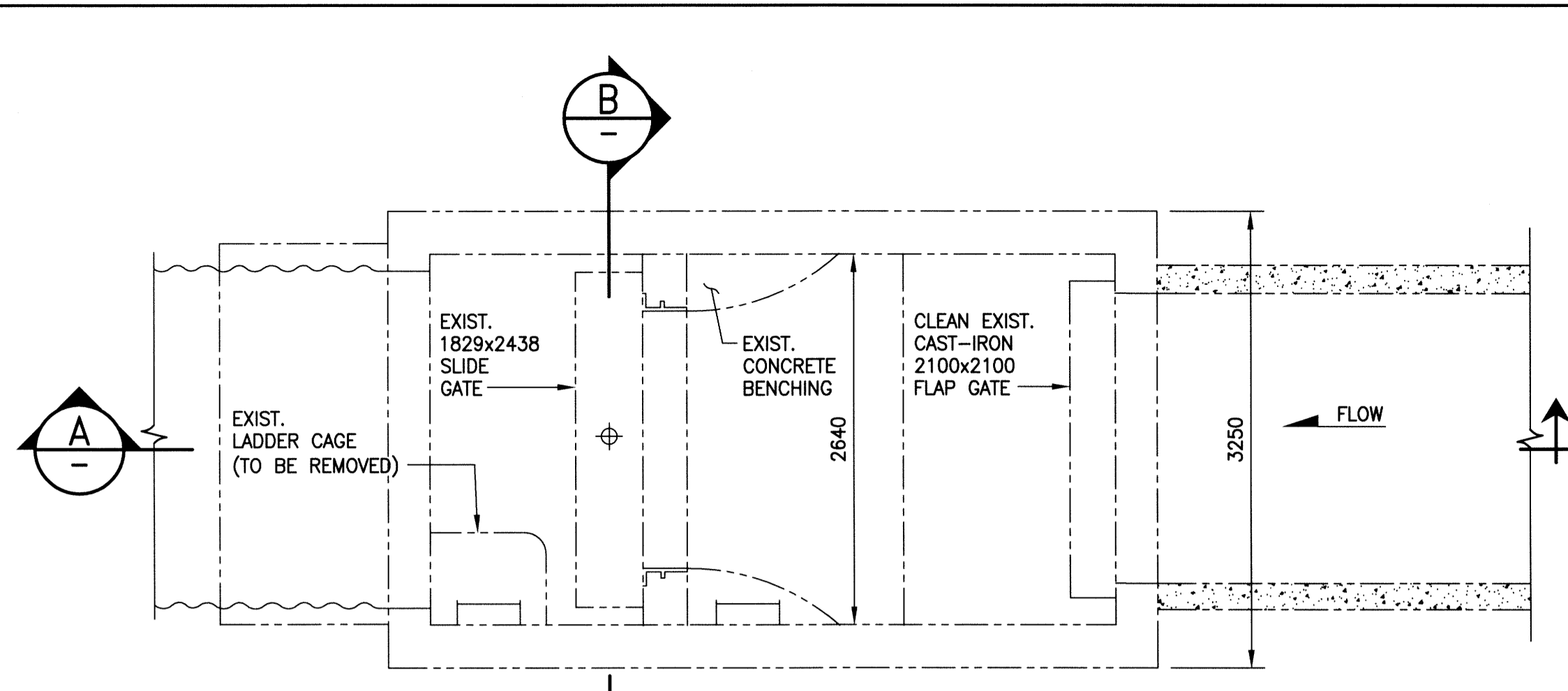
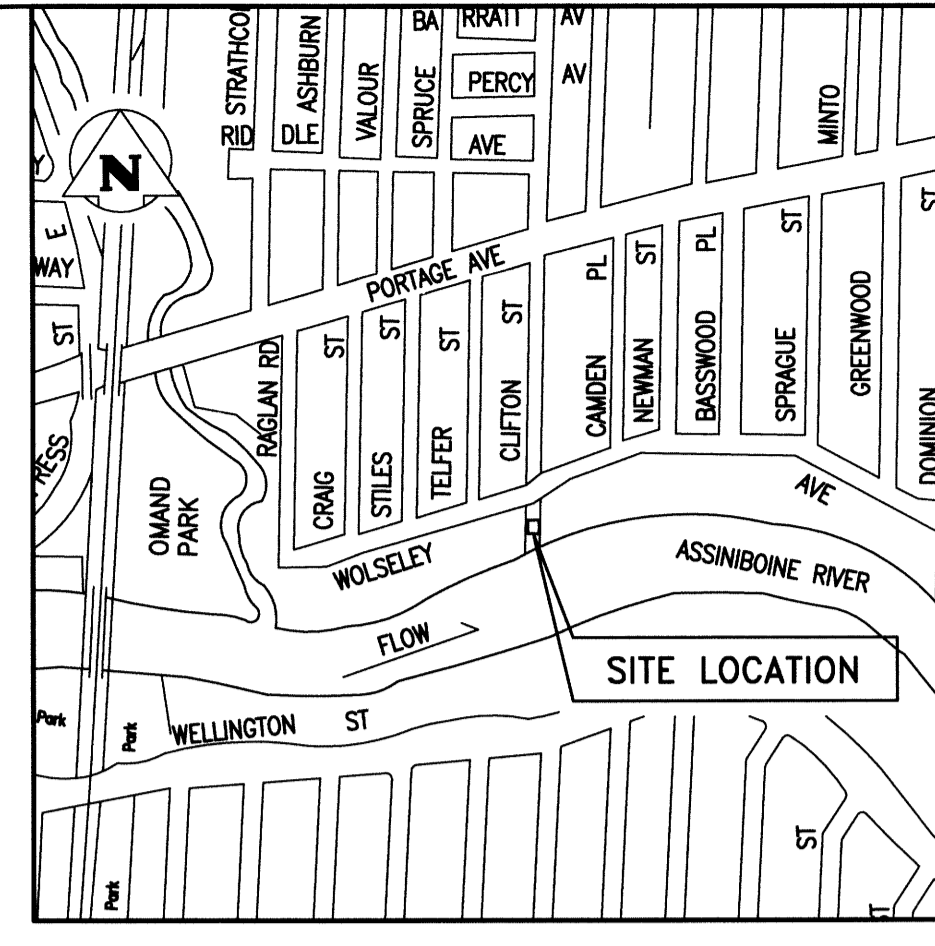


PLAN - EL. 231.50
SCALE: 1:40

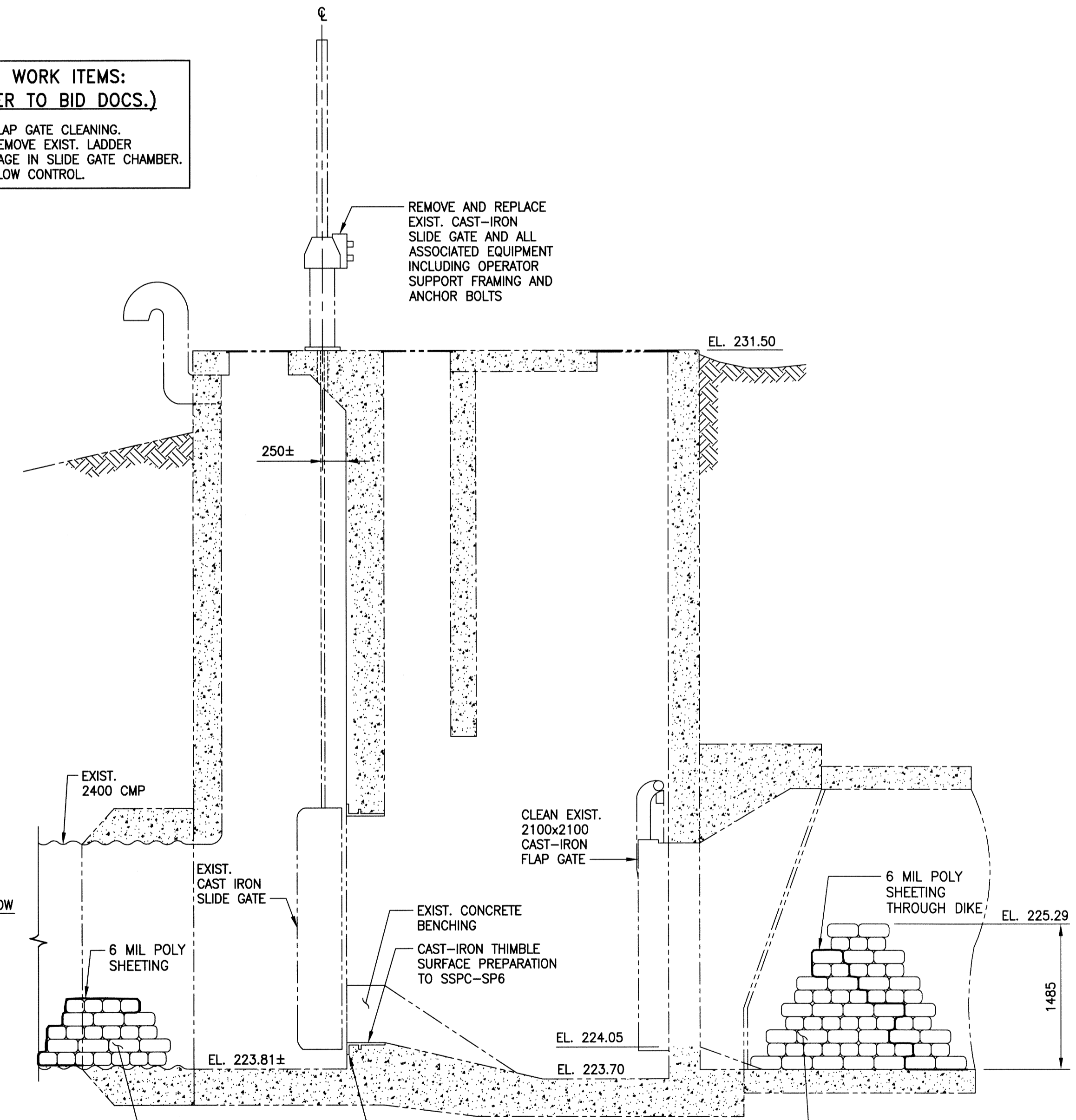


PLAN - GATE CHAMBER FLOOR
SCALE: 1:40

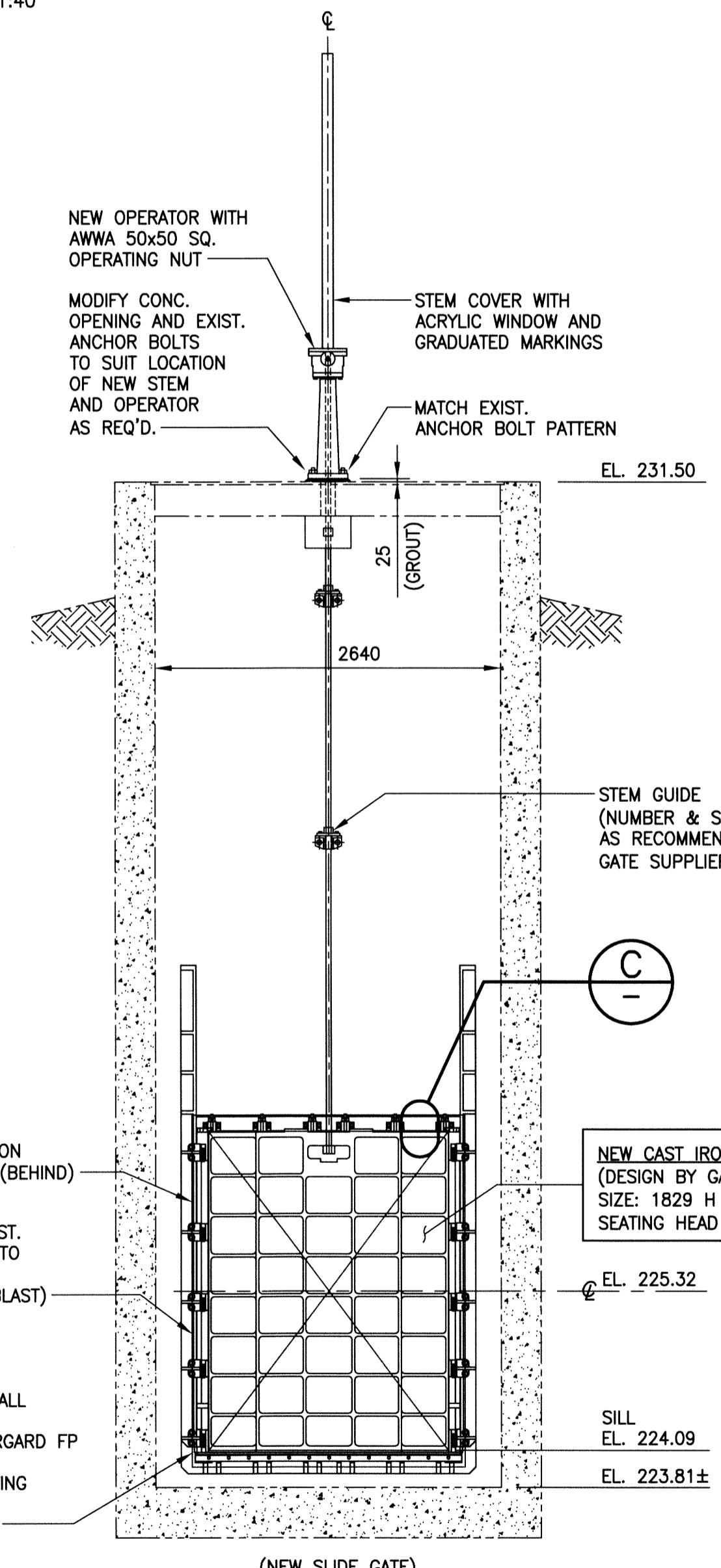


SITE PLAN
N.T.S.

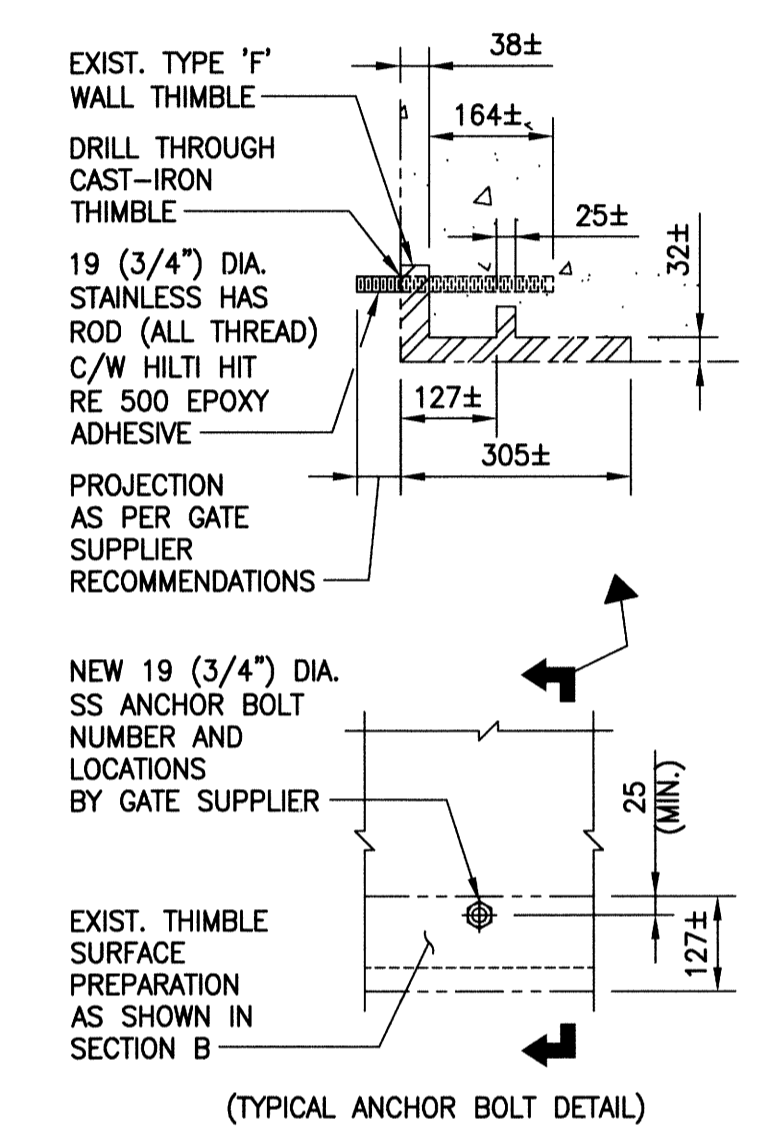
- MISC. WORK ITEMS:
(REFER TO BID DOCS.)**
1. FLAP GATE CLEANING.
 2. REMOVE EXIST. LADDER CAGE IN SLIDE GATE CHAMBER.
 3. FLOW CONTROL.



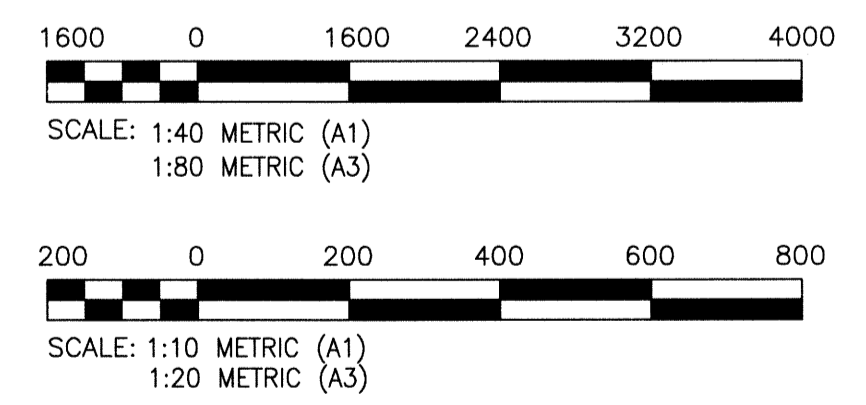
SECTION A
SCALE: 1:40



SECTION B
SCALE: 1:40



DETAIL C
SCALE: 1:10



METRIC
WHOLE NUMBERS INDICATE MILLIMETRES
DECIMALIZED NUMBERS INDICATE METRES

File Name: P:\Projects\2012\12-0107-019\DocControl\081818\0125F-S0001-001-Rev. 0.dwg - Tab: S2 Plotted By: D.Deroche 03/18/2013 [Mon 2:34pm]



RM ELEV. N/A	FIELD BOOK # N/A	KGS GROUP CONSULTING ENGINEERS	ENGINEER'S SEAL
POSTED TO LBIS			
		DESIGNED BY KRD	CHECKED BY CMS
		DRAWN BY FBV	APPROVED BY
		HR. SCALE	RELEASED FOR CONSTRUCTION
		VERTICAL AS NOTED	
0	ISSUED FOR CONSTRUCTION	18/03/13	CMS
NO. REVISIONS	DATE	DATE	DATE
		2013-02-01	

TENDER No. 213-2013
FILENAME: 4-0125F-S0001-001-Rev. 0.dwg
PLOT DATE: 2013/03/18

THE CITY OF WINNIPEG
WATER AND WASTE DEPARTMENT

CLIFTON GATE CHAMBER
SLIDE GATE REBURISHMENT
STRUCTURAL
PLAN, SECTIONS & DETAILS

SHEET 1 OF 1
CITY DRAWING NUMBER
1-0125F-S0001-001