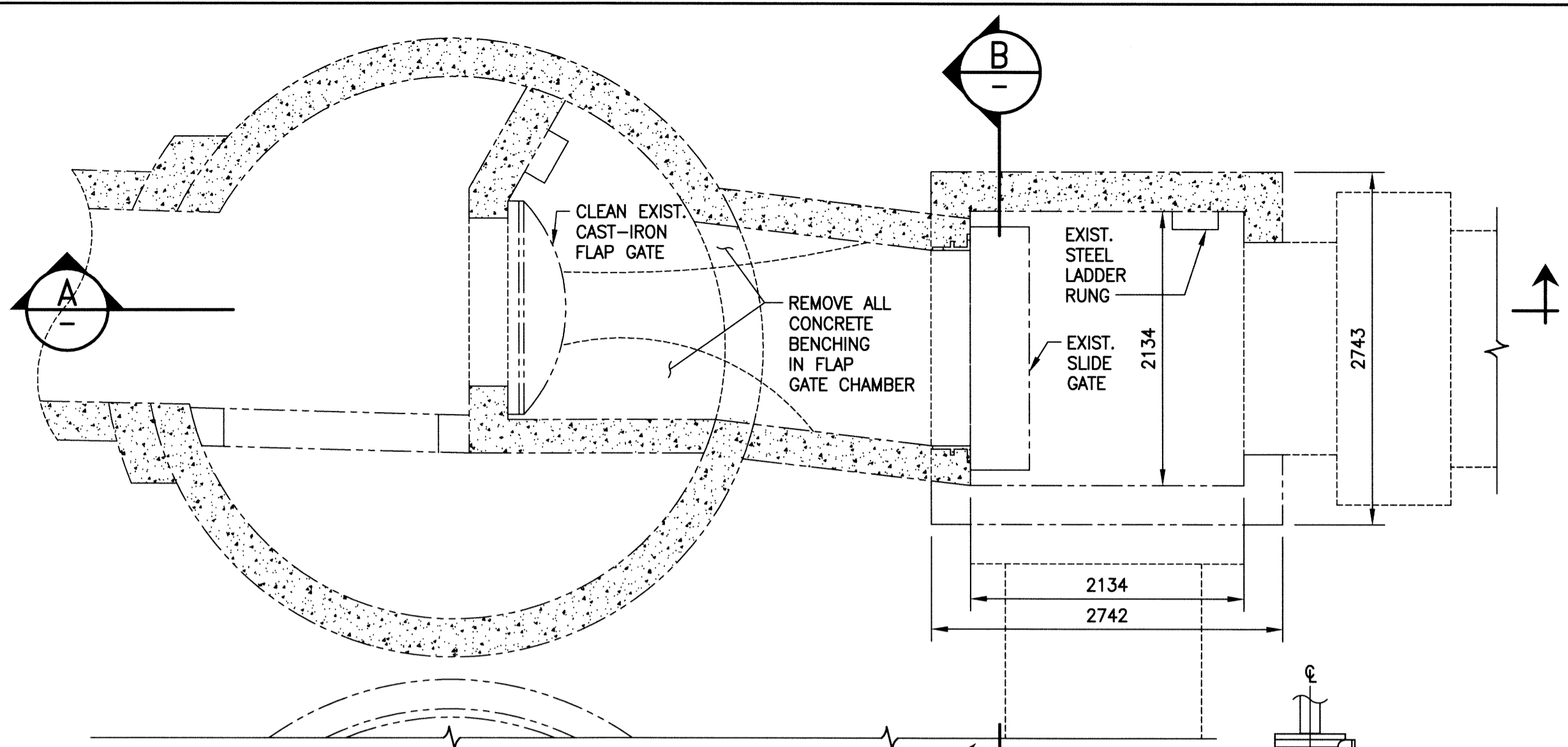


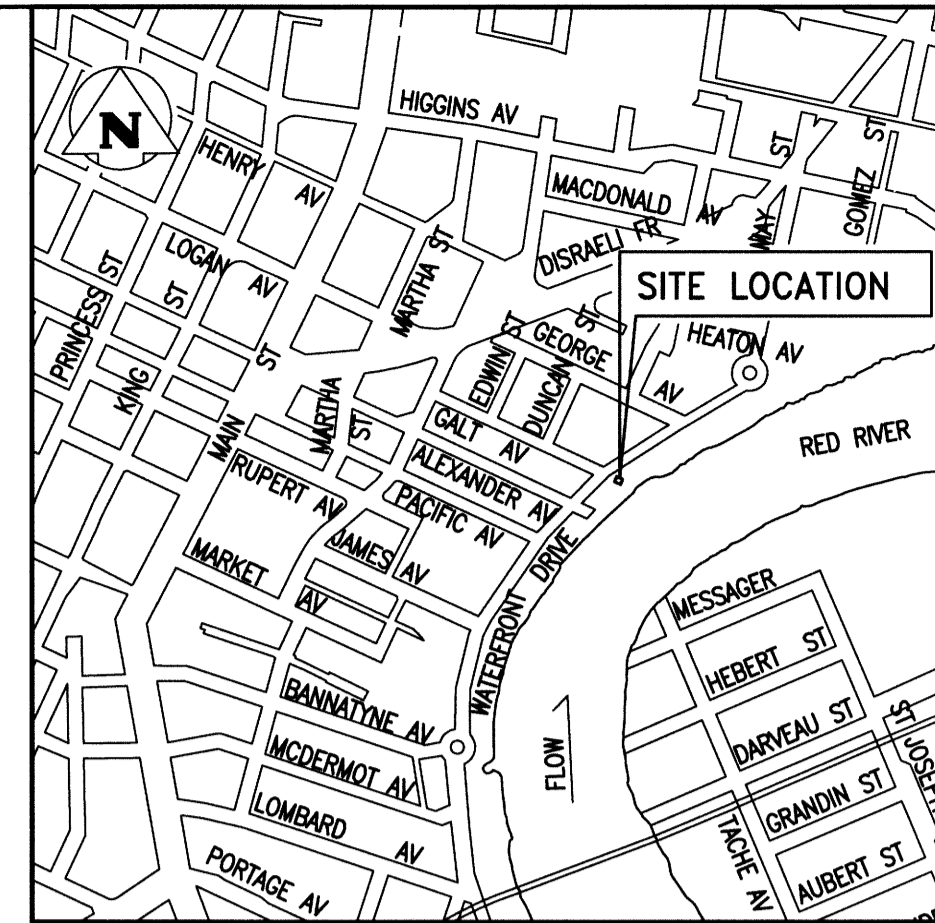
PLAN - EL. 230.73

SCALE: 1:40

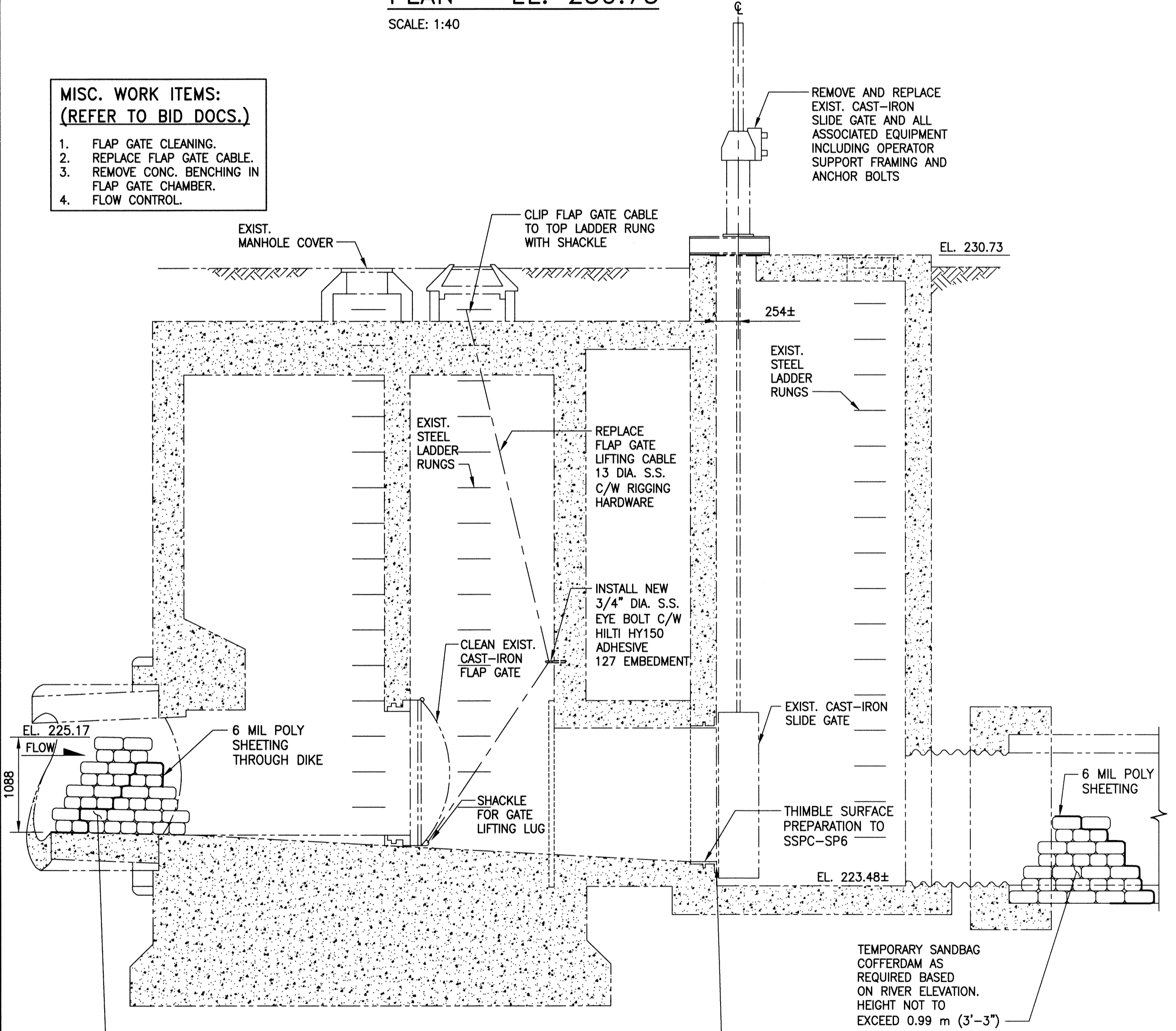


PLAN - GATE CHAMBER FLOOR

SCALE: 1:40

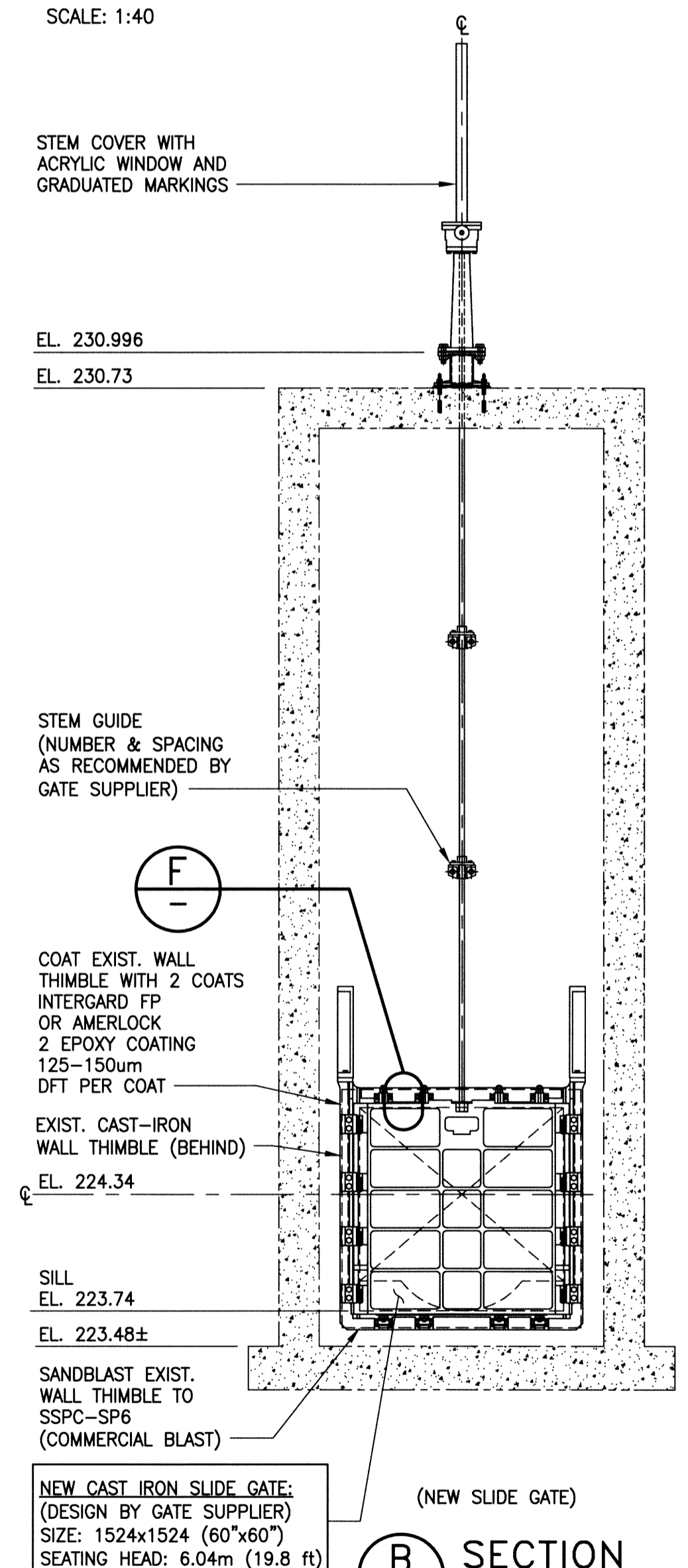
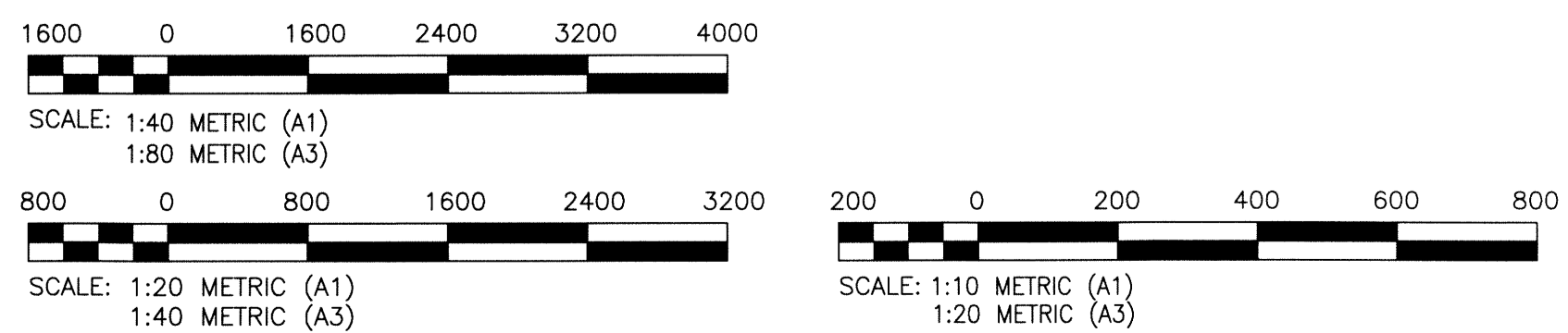


- MISC. WORK ITEMS:
(REFER TO BID DOCS.)
1. FLAP GATE CLEANING.
 2. REPLACE FLAP GATE CABLE.
 3. REMOVE CONC. BENCHING IN FLAP GATE CHAMBER.
 4. FLOW CONTROL.



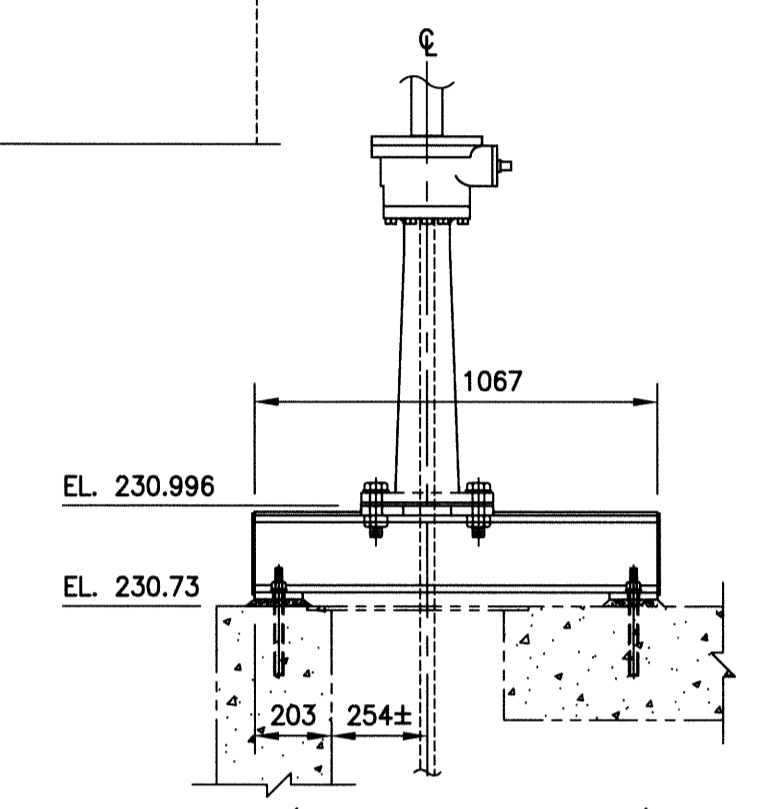
SECTION A

SCALE: 1:40



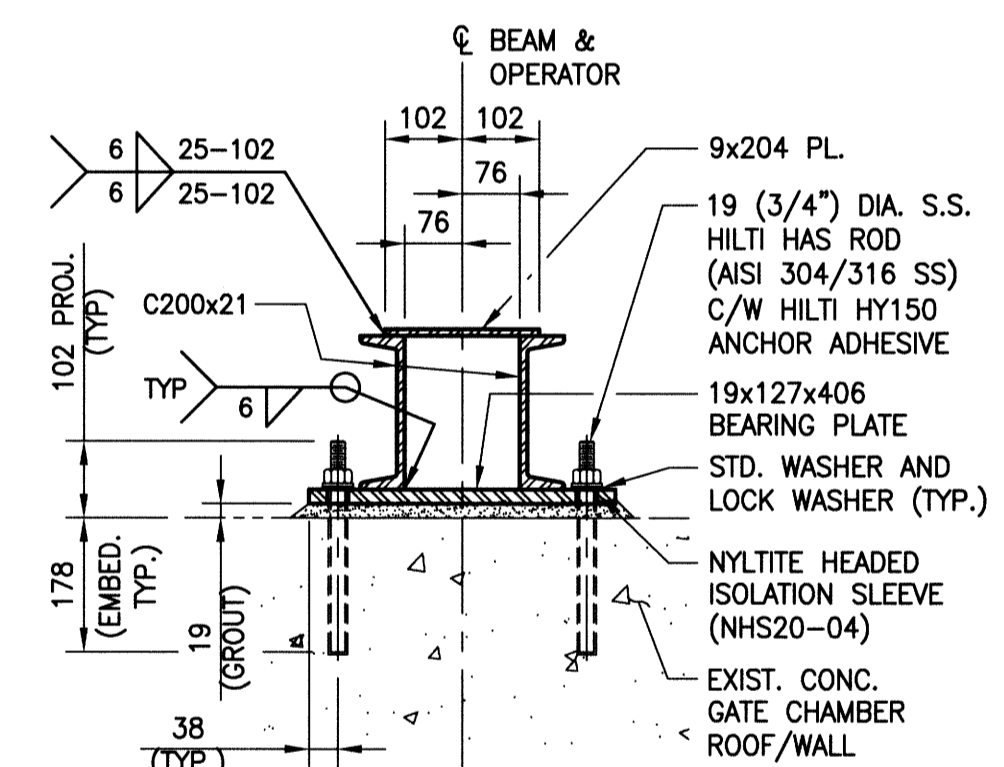
SECTION B

SCALE: 1:40



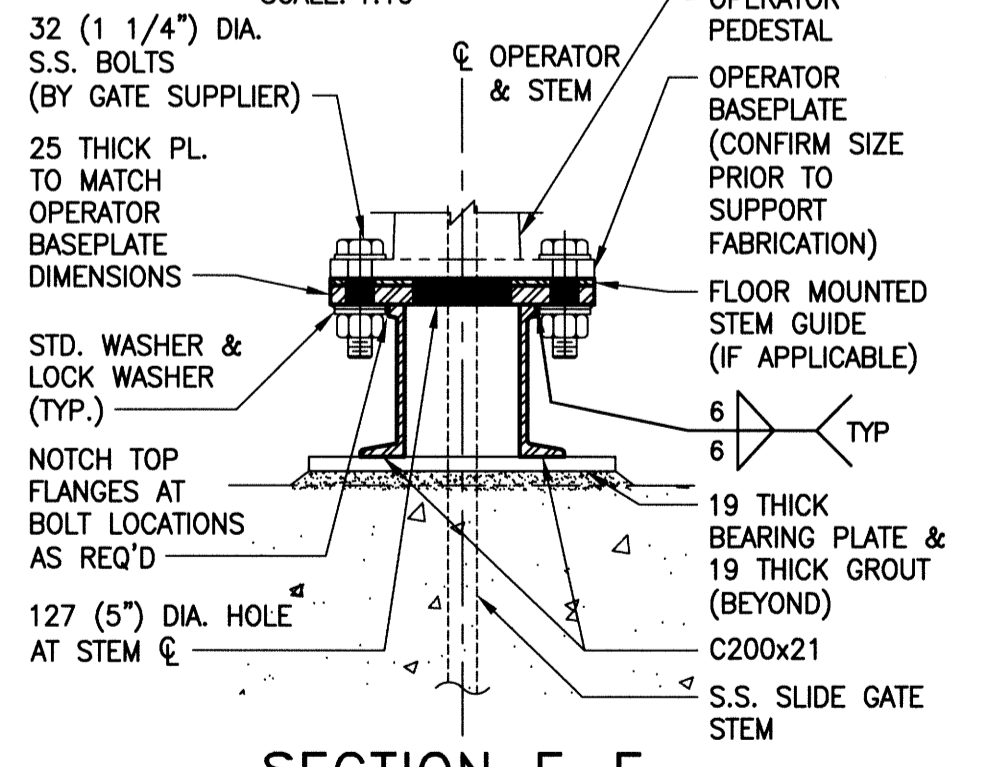
SECTION F-F

SCALE: 1:20



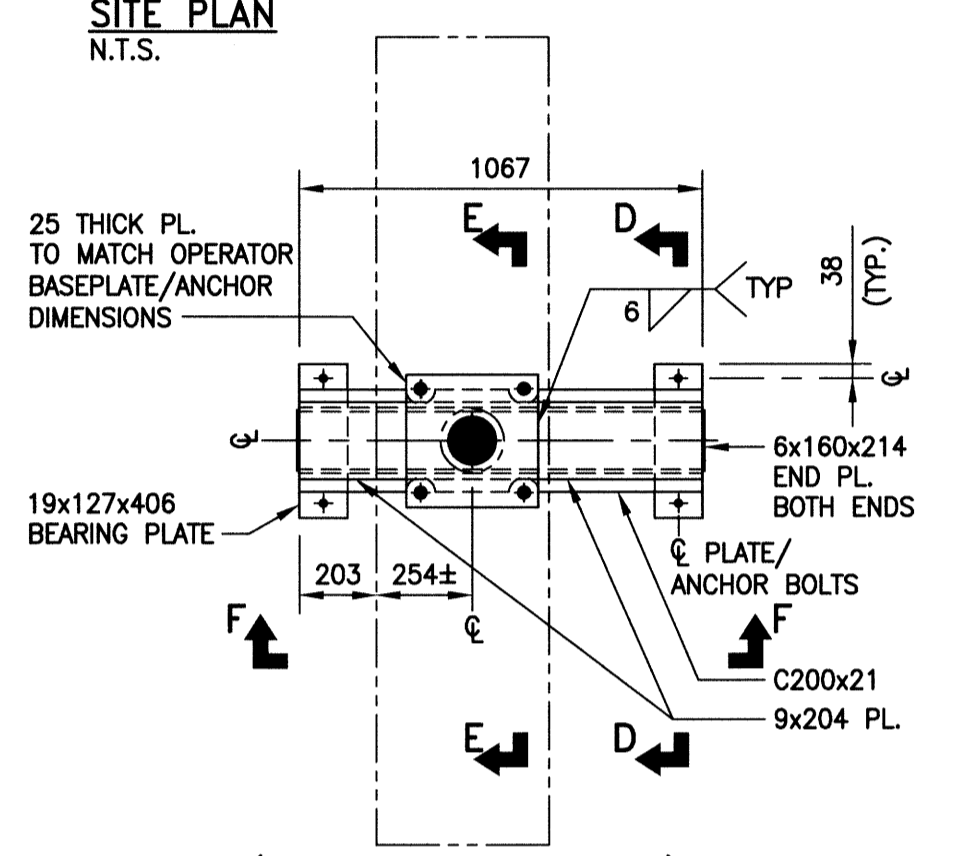
SECTION D-D

SCALE: 1:10



SECTION E-E

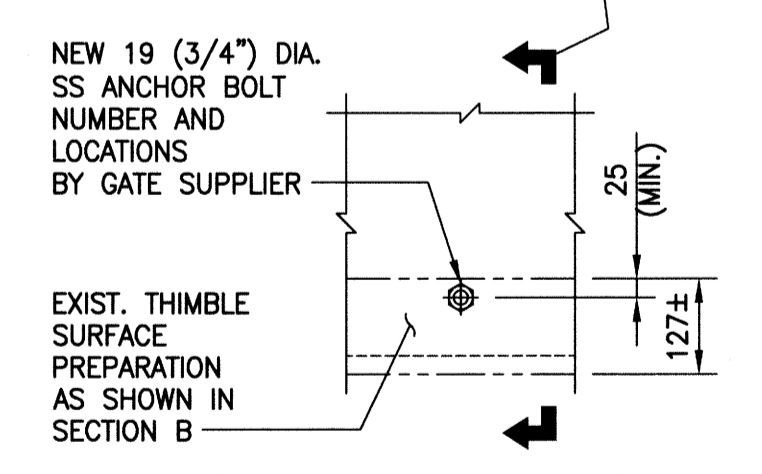
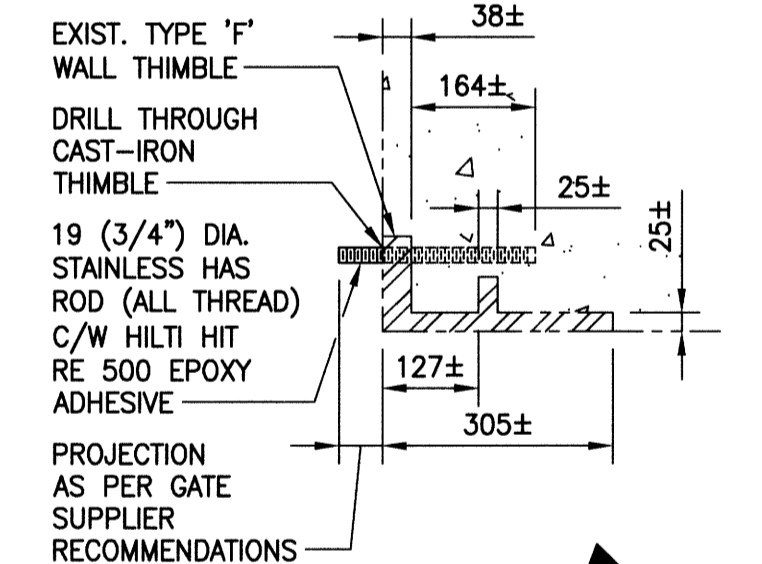
SCALE: 1:10



PARTIAL PLAN

SCALE: 1:20

OPERATOR SUPPORT STEEL TO BE COORDINATED WITH CAST IRON SLIDE GATE SHOP DRAWINGS.



DETAIL

SCALE: 1:10

METRIC
WHOLE NUMBERS INDICATE MILLIMETRES
DECIMALIZED NUMBERS INDICATE METRES

File Name: P:\Projects\2012\12-0107-019\Doc Control\Tablissaud\DWG\1-0142F-S0001-001-Rev 0.dwg - Tab: S3 Plotted By: DBaroche 03/18/2013 [Mon 2:34pm] 1088

APEGM
Certificate of Authorization
KGS Group
No. 245

B.M. ELEV. N/A	FIELD BOOK # N/A	KGS GROUP CONSULTING ENGINEERS	ENGINEER'S SEAL
POSTED TO LBS			
DESIGNED BY KRD	CHECKED BY CMS	TENDER No. 213-2013 FILENAME: 0142F-S0001-001-Rev 0.dwg PLOT DATE: 2013/03/18	THE CITY OF WINNIPEG WATER AND WASTE DEPARTMENT GALT PUMPING STATION SLIDE GATE REBURISHMENT STRUCTURAL PLAN, SECTIONS & DETAILS
DRAWN BY FBV	APPROVED BY		
HDR. SCALE VERTICAL AS NOTED	RELEASED FOR CONSTRUCTION	2013-02-01	
ISSUED FOR CONSTRUCTION	DATE	18/03/13	DATE
REVISIONS	DATE	BY	DATE