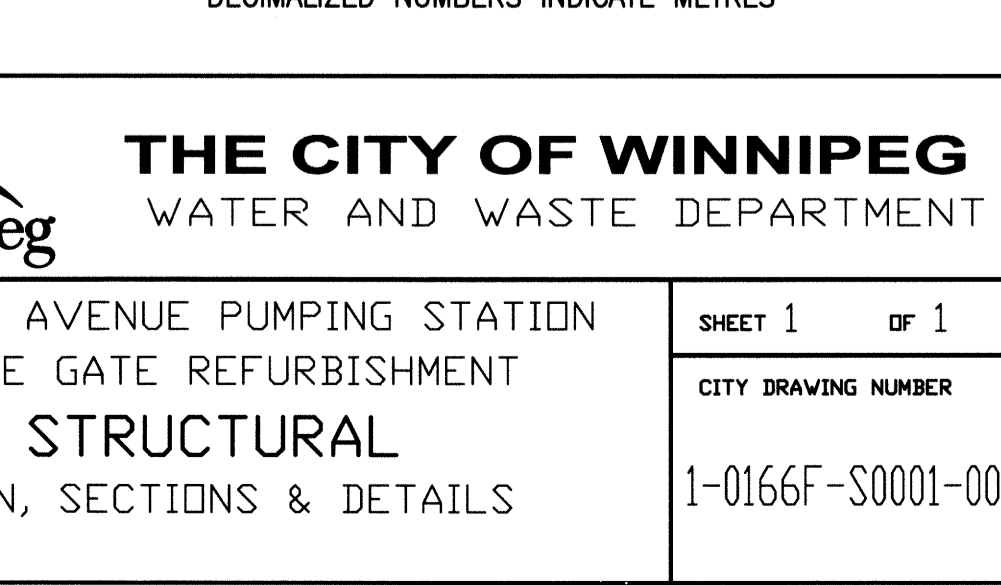
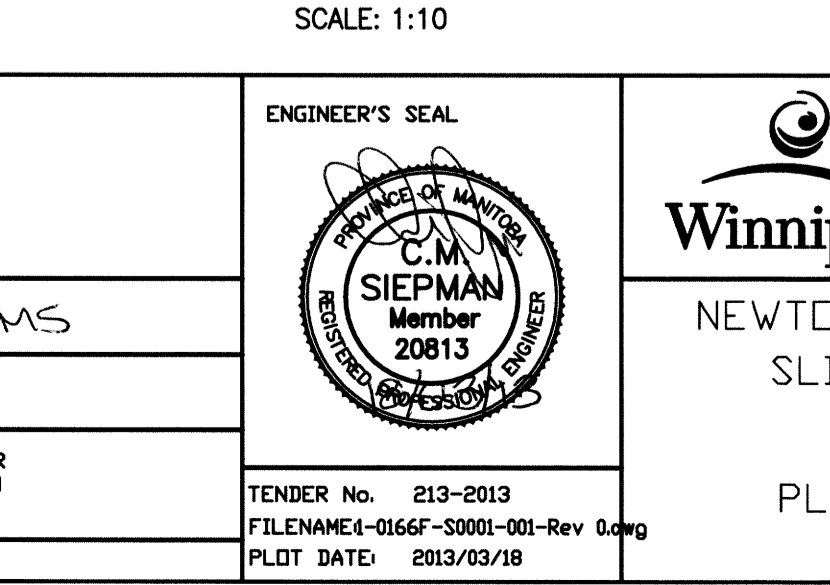
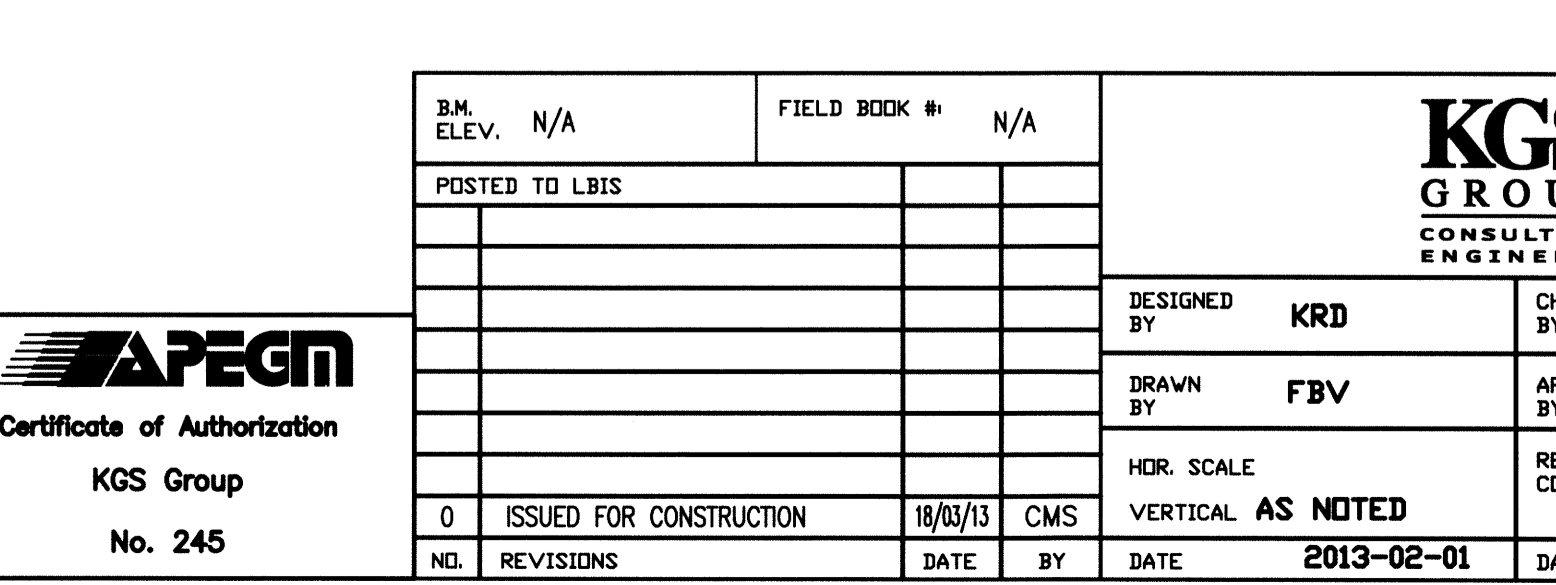
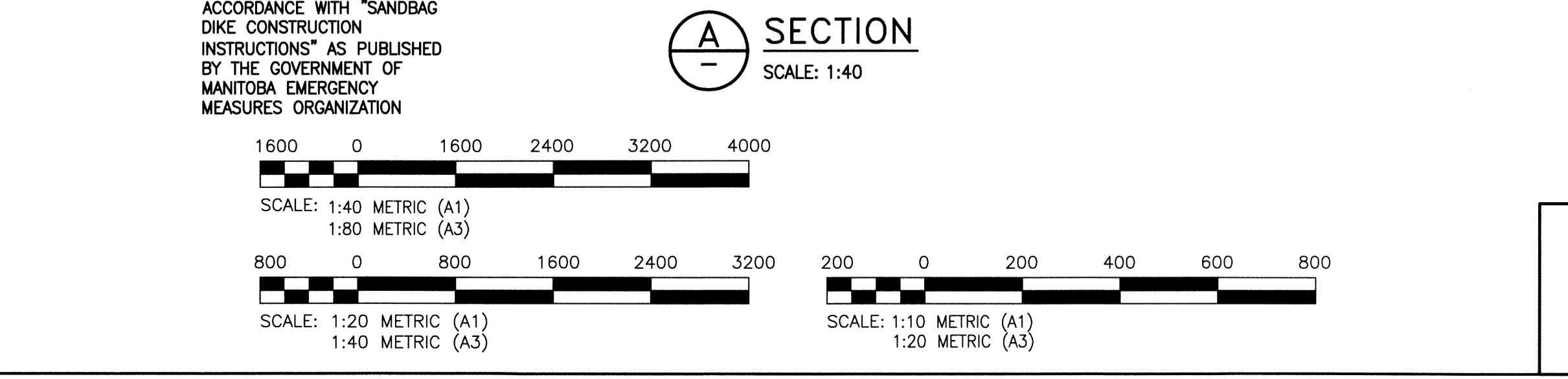
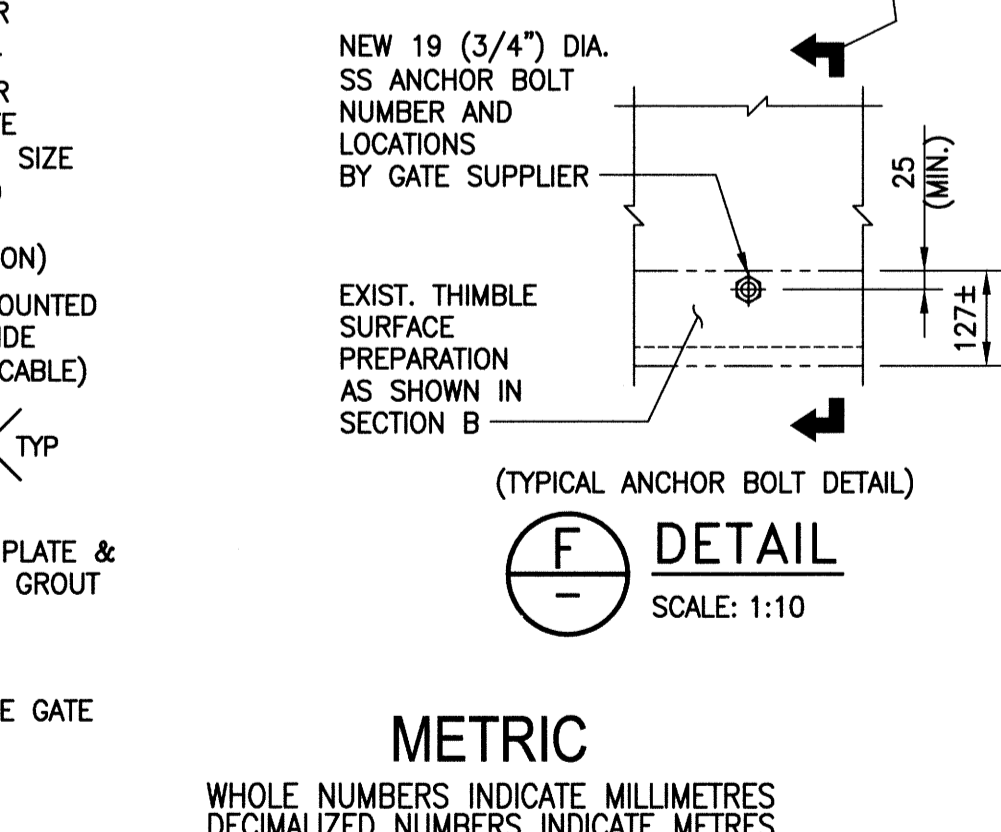
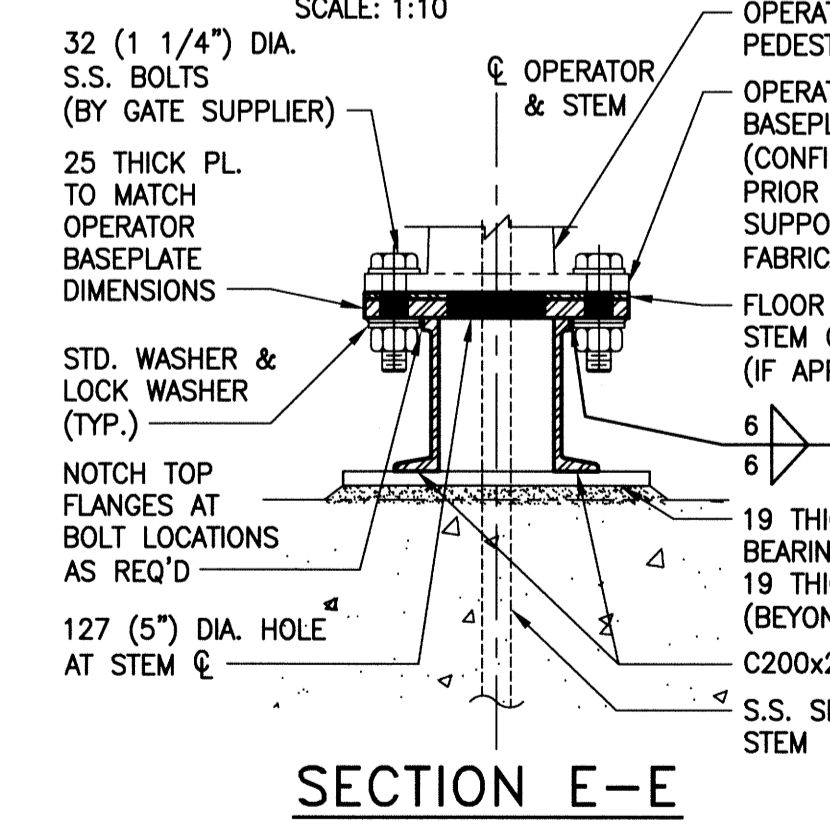
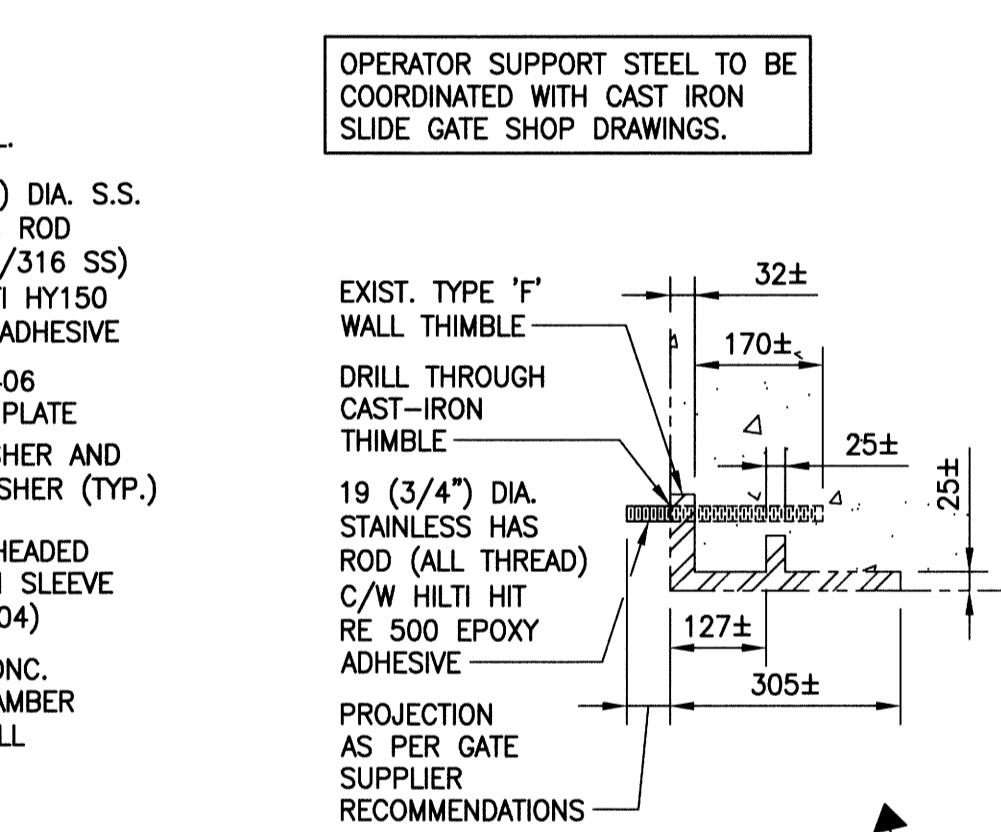
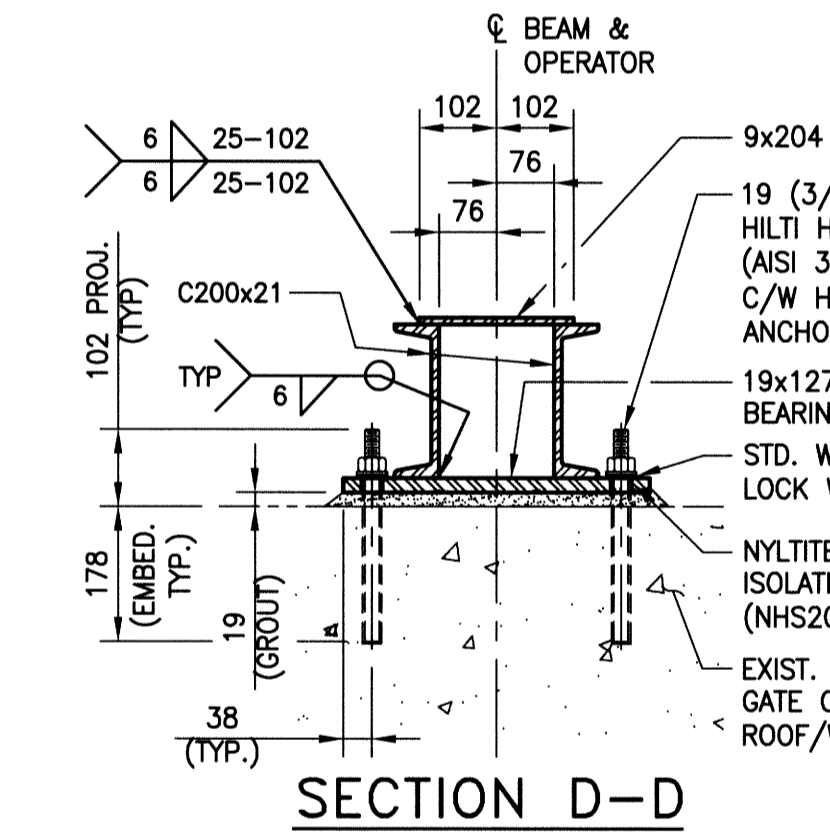
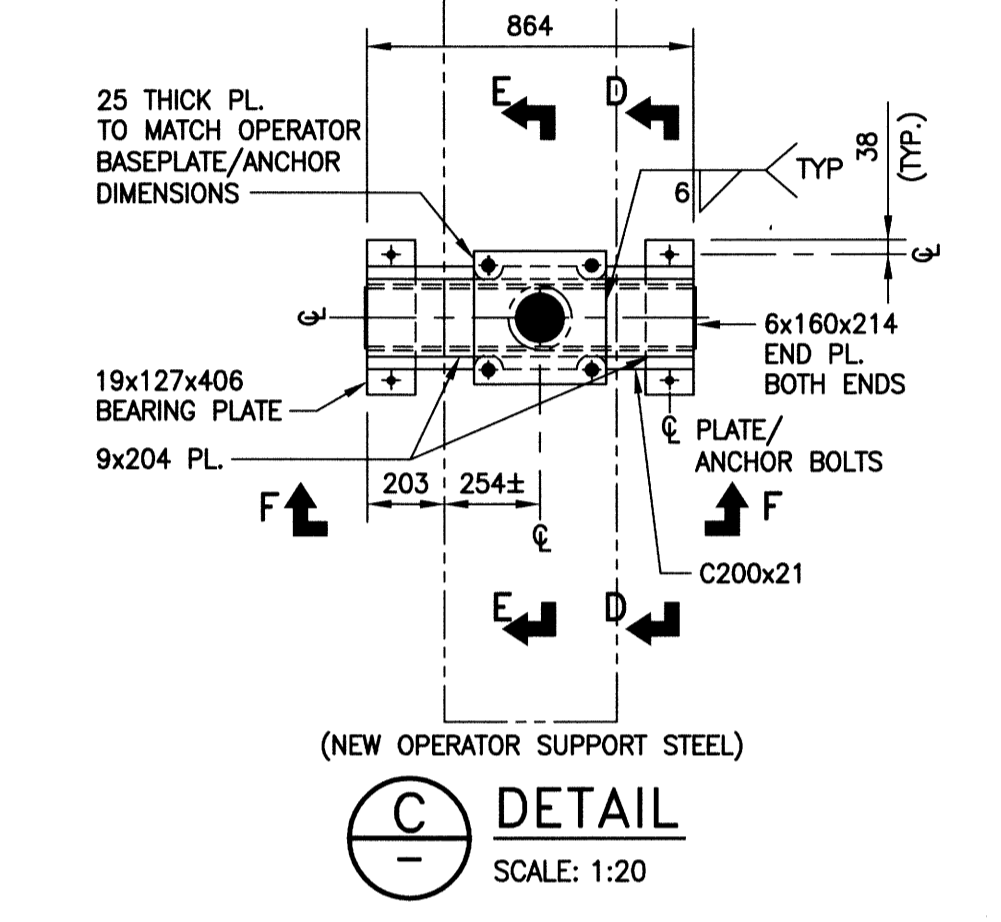
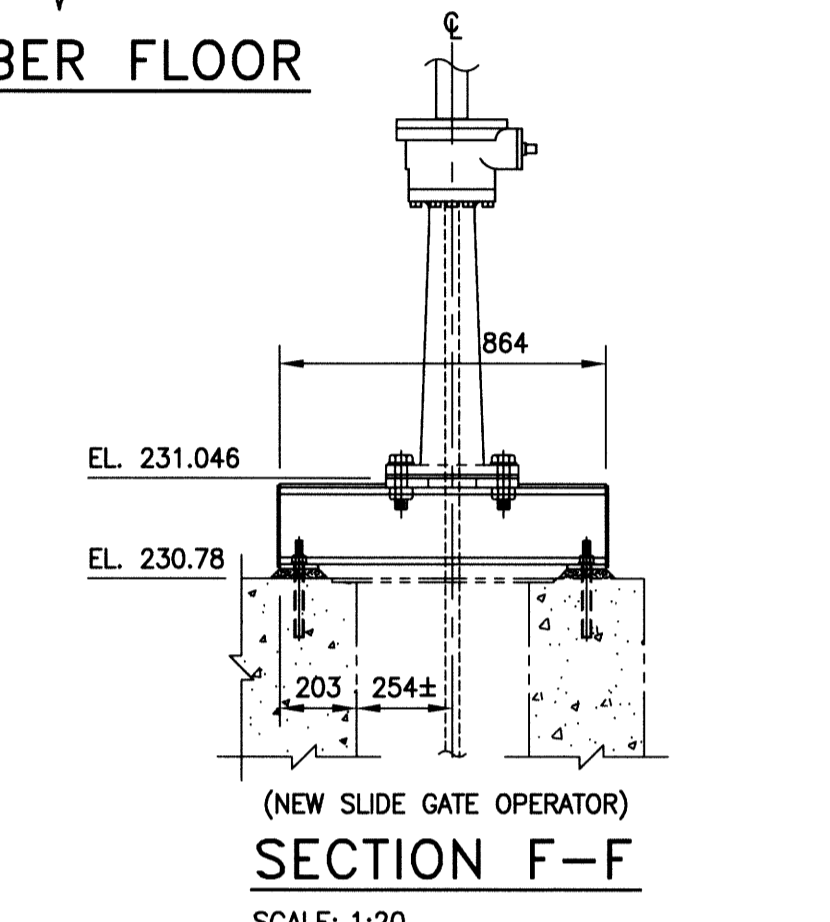
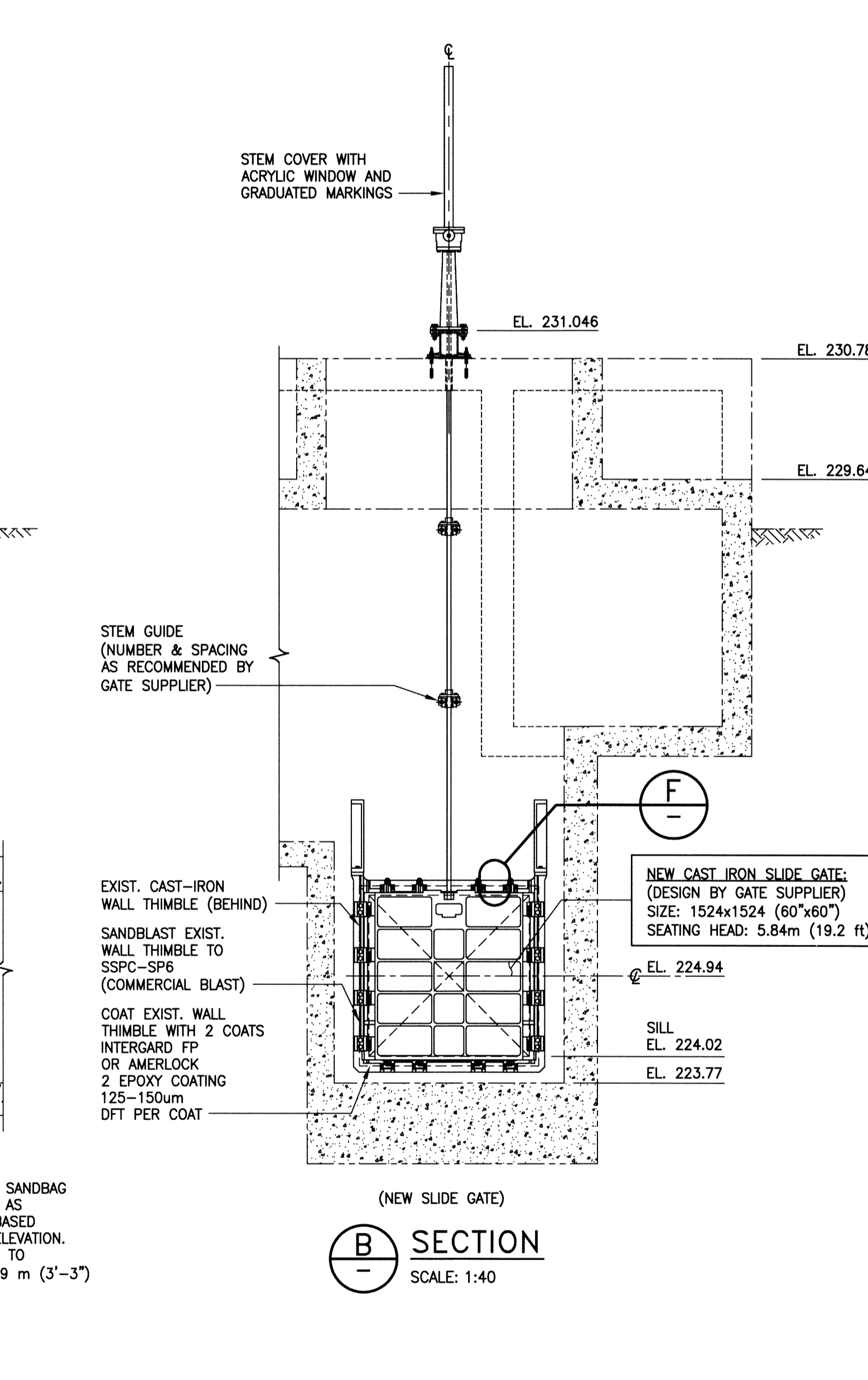
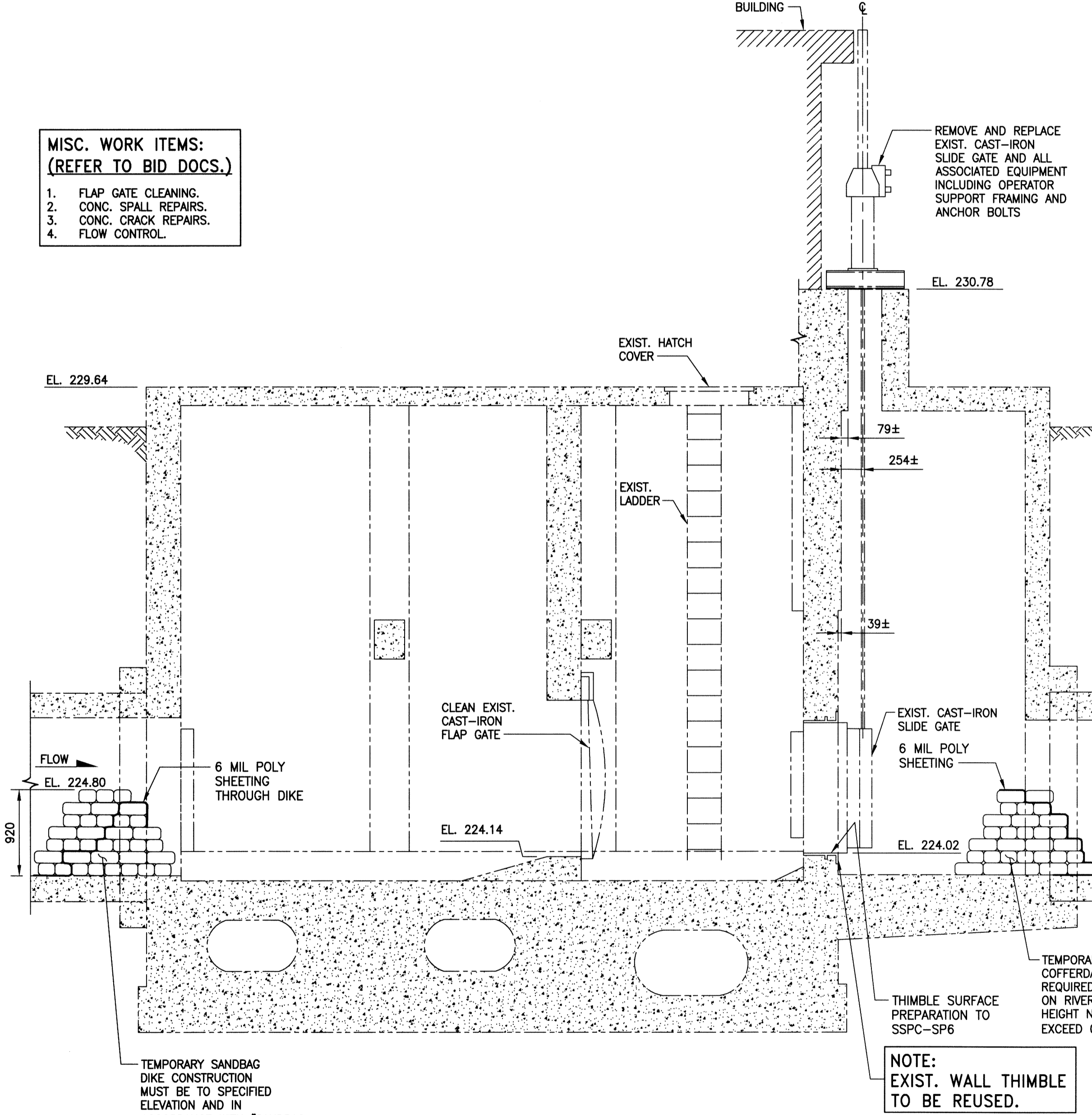
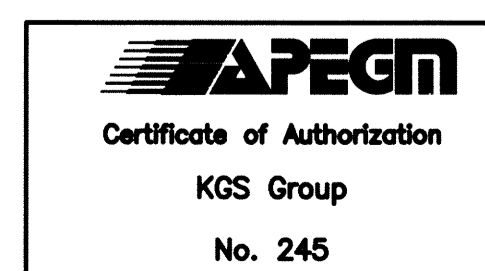
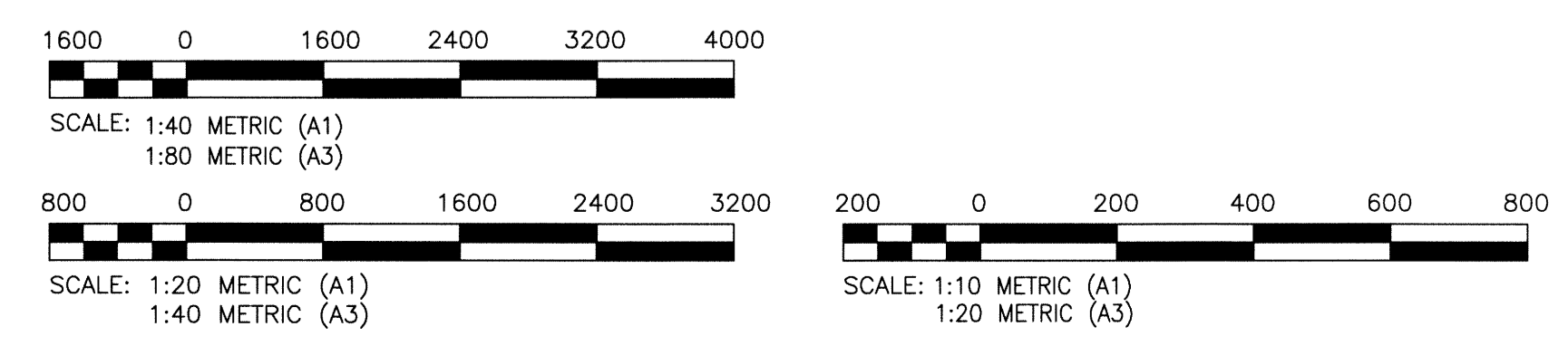


- MISC. WORK ITEMS:
(REFER TO BID DOCS.)**
1. FLAP GATE CLEANING.
 2. CONC. SPALL REPAIRS.
 3. CONC. CRACK REPAIRS.
 4. FLOW CONTROL.



File Name: P:\Projects\2012\12-0107-019\Doc.Control\oblaesaud\DWG\1-0166F-S0001-001-Rev 0.dwg - Tab: SB Plotted By: DBaroche 03/18/2013 [Mon 2:32pm]



BM. ELEV.	N/A	FIELD BOOK #	N/A
POSTED TO LBIS			
DESIGNED BY	KRD	CHECKED BY	CMS
DRAWN BY	FBV	APPROVED BY	
HR. SCALE		RELEASED FOR CONSTRUCTION	
0	ISSUED FOR CONSTRUCTION	18/03/13	CMS
NO. REVISIONS		DATE	BY
		2013-02-01	

KGS GROUP
CONSULTING ENGINEERS

DESIGNED BY: KRD
CHECKED BY: CMS
DRAWN BY: FBV
APPROVED BY: [Signature]

RELEASED FOR CONSTRUCTION
DATE: 2013-02-01

ENGINEER'S SEAL

TENDER No. 213-2013
FILENAME: 0166F-S0001-001-Rev 0.dwg
PLOT DATE: 2013/03/18

THE CITY OF WINNIPEG
WATER AND WASTE DEPARTMENT

NEWTON AVENUE PUMPING STATION
SLIDE GATE REBURSHMENT
STRUCTURAL
PLAN, SECTIONS & DETAILS

SHEET 1 OF 1
CITY DRAWING NUMBER
1-0166F-S0001-001