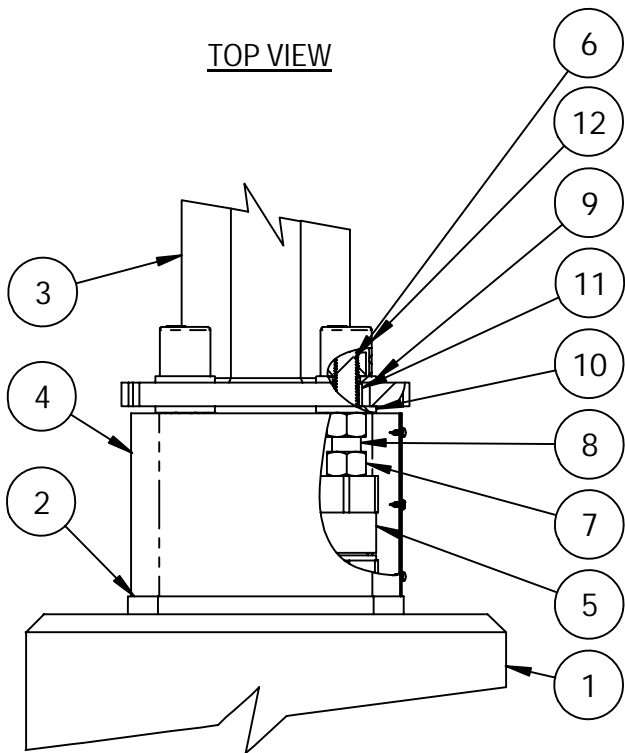


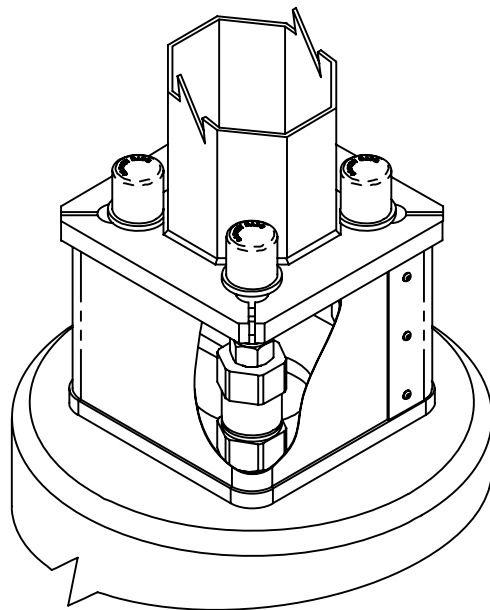
TOP VIEW



SIDE VIEW

1 BASE C/W 1"  $\phi$  - 8 UNC ANCHORS  
ON  $\phi$ 241 BCD

| ITEM NO. | QTY. | DESCRIPTION                   |
|----------|------|-------------------------------|
| 1        | 1    | TYPE B FOUNDATION (BY OTHERS) |
| 2        | 1    | REACTION PLATE                |
| 3        | 1    | SIGNAL POLE (BY OTHERS)       |
| 4        | 1    | SHROUD ASSEMBLY               |
| 5        | 4    | FRANGIBLE COUPLING            |
| 6        | 4    | 1" - 8 UNC STUD               |
| 7        | 12   | 1" - 8 UNC HEAVY HEX NUT      |
| 8        | 4    | SPACER                        |
| 9        | 4    | 1" CLIPPED FLATWASHER         |
| 10       | 4    | 1" FLATWASHER                 |
| 11       | 4    | SLEEVE                        |
| 12       | 4    | FASTENER COVER                |



ISOMETRIC VIEW

DIMENSIONS ARE IN MILLIMETRES  
(UNLESS OTHERWISE NOTED)



**THE CITY OF WINNIPEG**  
PUBLIC WORKS DEPARTMENT

REFERENCE SPEC. NO:  
N/A

TYPE B BREAKAWAY BASE ASSEMBLY

| No. | Date | Description | By |
|-----|------|-------------|----|
|     |      |             |    |
|     |      |             |    |
|     |      |             |    |

|                   |                |                  |
|-------------------|----------------|------------------|
| Designed By: SBTE | Drawn By: SBTE | Scale :<br>1:8   |
| Checked By:       | Date: AUG 4/12 | Drawing No.<br>B |
| Approved:         |                |                  |