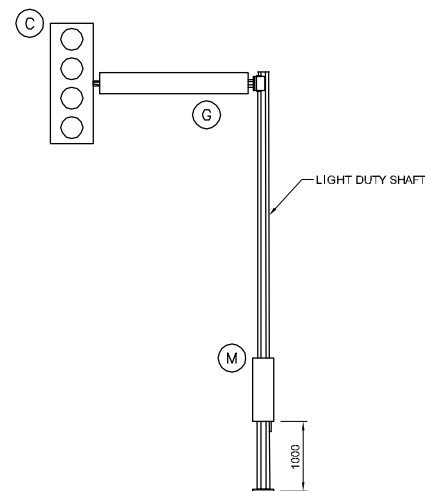
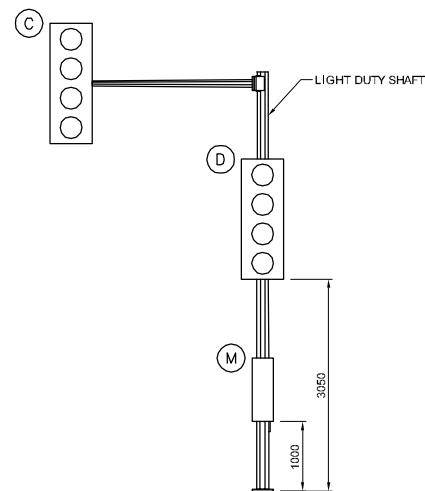


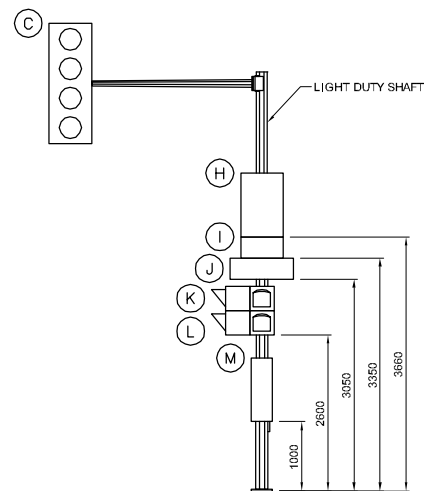
L8-Aa, L8-Ga  
L8-Ba



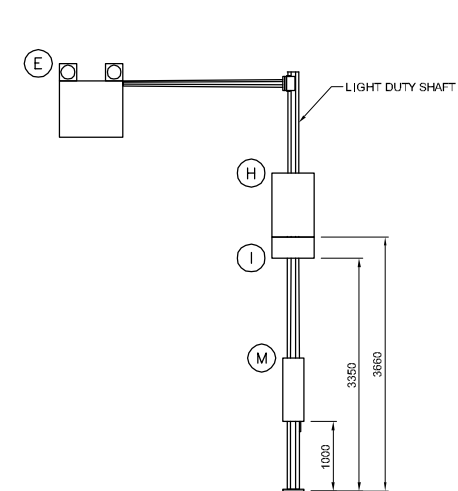
L8-Ab, L8-Gb  
L8-Bb



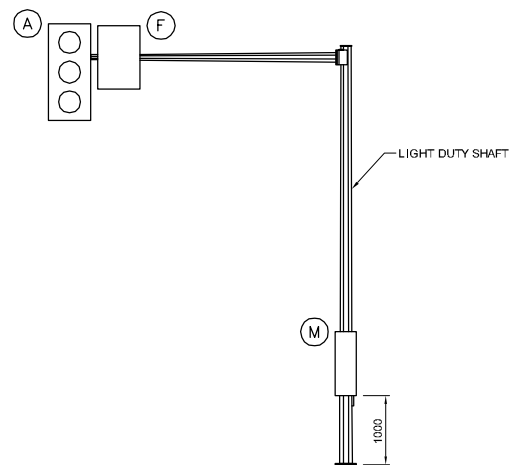
L8-Ac, L8-Gc  
L8-Bc



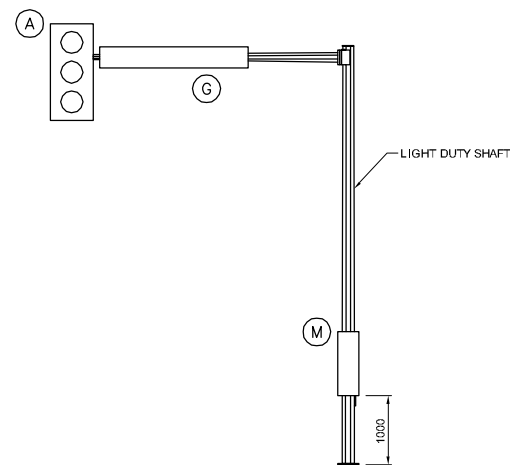
L8-Ad, L8-Gd  
L8-Bd



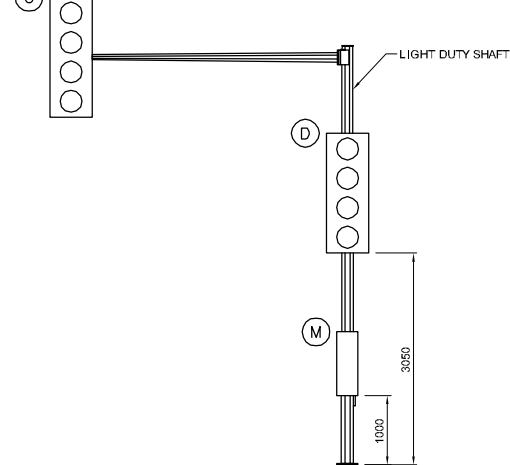
L8-Ae, L8-Ge  
L8-Be



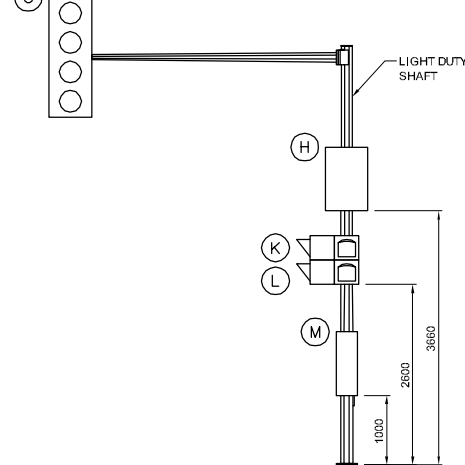
L12-Aa, L12-Ga  
L12-Ba



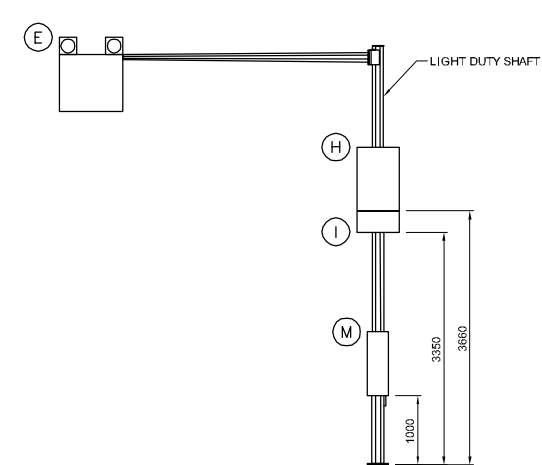
L12-Ab, L12-Gb  
L12-Bb



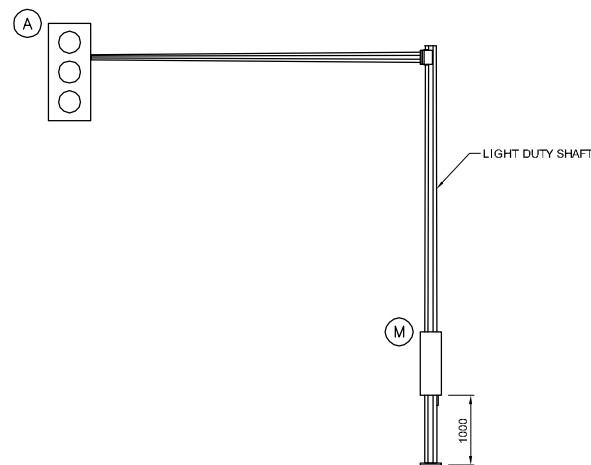
L12-Ac, L12-Gc  
L12-Bc



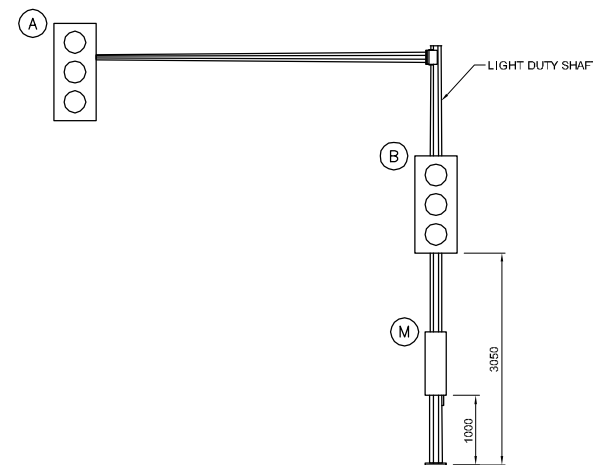
L12-Ad, L12-Gd  
L12-Bd



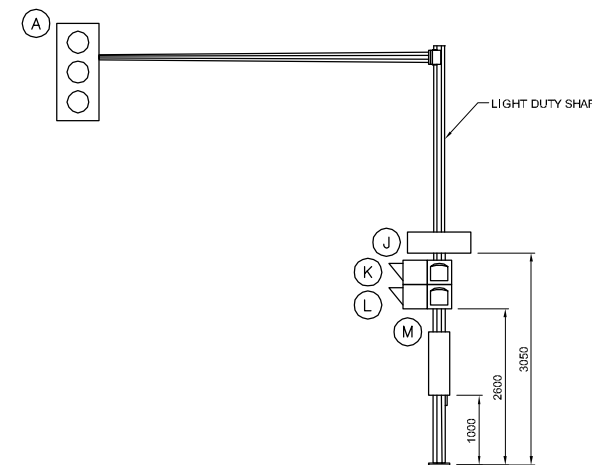
L12-Ae, L12-Ge  
L12-Be



L16-Aa, L16-Ga  
L16-Ba



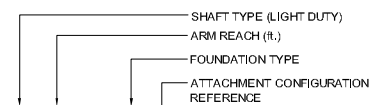
L16-Ab, L16-Gb  
L16-Bb



L16-Ac, L16-Gc  
L16-Bc

**NOTE:**

- ALL CONFIGURATIONS TO BE INSTALLED ON TYPE A-T, G-T OR TYPE B-T BREAKAWAY BASE.
- REFER TO SHEET 1 FOR DESIGN NOTES AND ATTACHMENT DATA.
- LOAD CONFIGURATIONS SHOWING ARM REACH TO THE LEFT, REACH TO THE RIGHT ALSO PERMITTED.



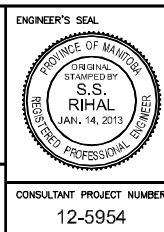
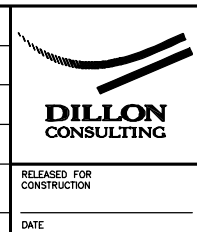
NAMING CONVENTION



REDUCED DRAWING  
N.T.S.

NO.	REVISIONS	DATE	BY
1	ISSUED BY DILLON CONSULTING	1/14/13	CDW

DESIGNED BY	CDW
DRAWN BY	JGW
CHECKED BY	SSR
APPROVED BY	-
HOR. SCALE	NTS
VERTICAL SCALE	NTS



**THE CITY OF WINNIPEG**  
PUBLIC WORKS DEPARTMENT

ATTACHMENT CONFIGURATIONS FOR LIGHT DUTY STRUCTURES - 8', 12' & 16' ARMS

CITY DRAWING NUMBER	N/A
SHEET	2 OF 13
CONSULTANT DRAWING NUMBER	N/A

CONSULTANT PROJECT NUMBER: 12-5954