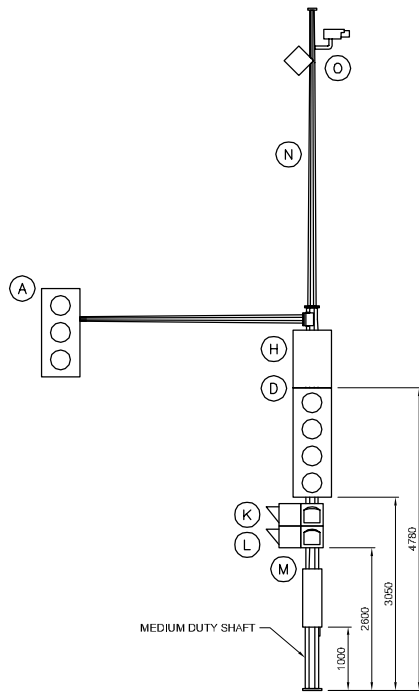
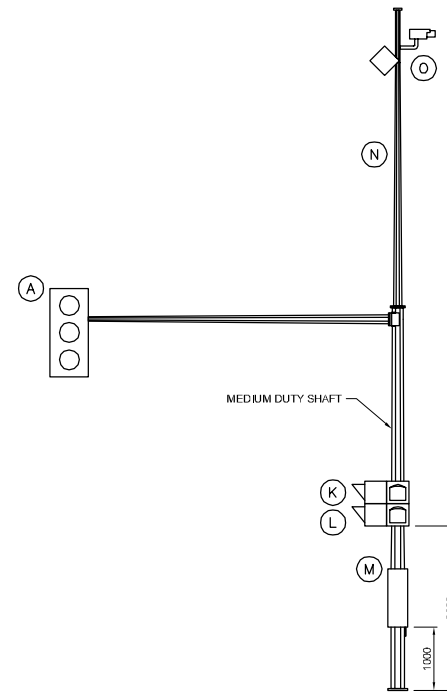


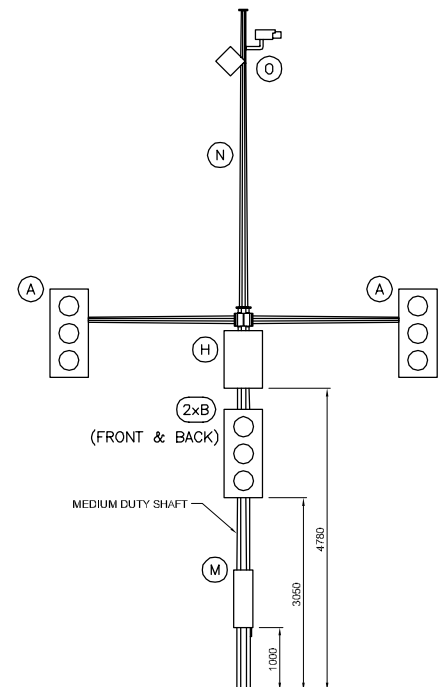
M8-Ga-E



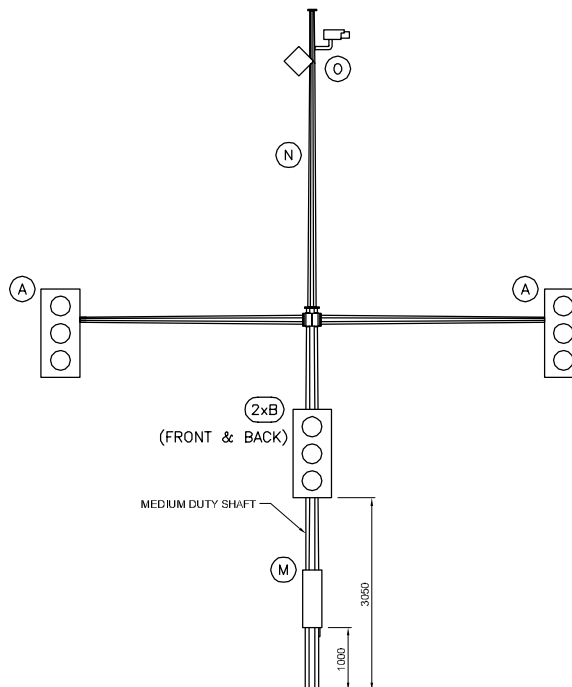
M12-Ga-E



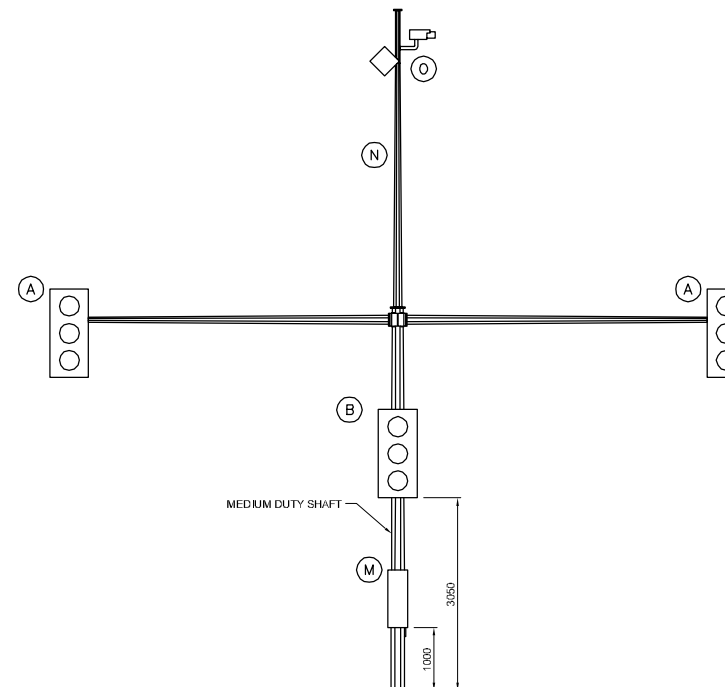
M16-Ga-E



M8/8-Gb-E



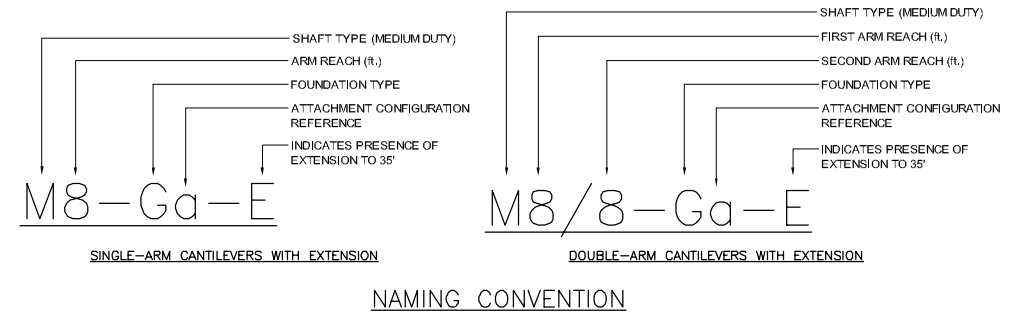
M12/12-Gb-E
M12/8-Gb-E



M16/16-Gb-E
M16/12-Gb-E
M16/8-Gb-E

NOTE:

1. ALL CONFIGURATIONS TO BE INSTALLED ON TYPE G-T BREAKAWAY BASE.
2. REFER TO SHEET 1 FOR DESIGN NOTES AND ATTACHMENT DATA.
3. LOAD CONFIGURATIONS SHOWING SINGLE-ARM CANTILEVER ARM REACH TO THE LEFT, REACH TO THE RIGHT ALSO PERMITTED.



REDUCED DRAWING
N.T.S.

B.M. ELEV.	DESIGNED BY	CDW
	DRAWN BY	JGW
	CHECKED BY	SSR
	APPROVED BY	-
	HOR. SCALE	NTS
	VERTICAL	NTS
1 ISSUED BY DILLON CONSULTING	1/14/13	CDW
NO. REVISIONS	DATE	BY

DILLON CONSULTING

ENGINEER'S SEAL
 PROVINCE OF MANITOBA
 ORIGINAL STAMPED BY
 S.S. RIHAL
 JAN. 14, 2013
 REGISTERED PROFESSIONAL ENGINEER

RELEASED FOR CONSTRUCTION

CONSULTANT PROJECT NUMBER
12-5954

THE CITY OF WINNIPEG
PUBLIC WORKS DEPARTMENT

ATTACHMENT CONFIGURATIONS FOR MEDIUM DUTY STRUCTURES - 8', 12' & 16' ARMS WITH EXTENSION

CITY DRAWING NUMBER	N/A
SHEET	4 OF 13
CONSULTANT DRAWING NUMBER	N/A

G:\CAD\125954\Contract\POLE CONFIGURATIONS.dwg