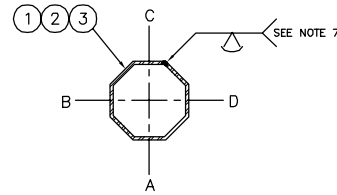
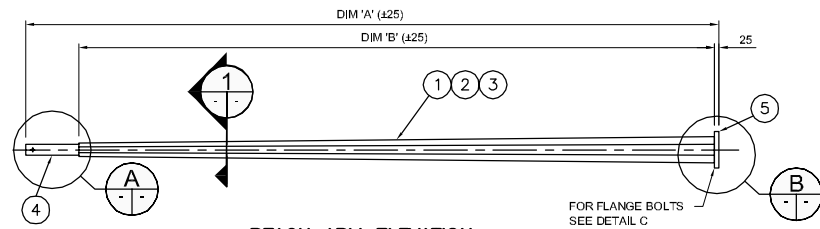


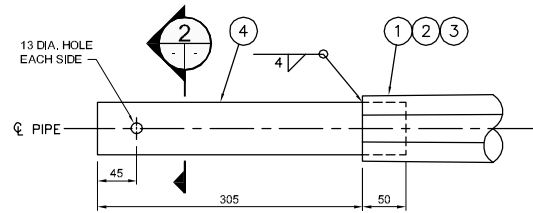
STRUCTURE TYPE CODE	DESCRIPTION	DIM. 'A'	DIM. 'B'
8	8' SIGNAL ARM	2633	2303
12	12' SIGNAL ARM	3853	3523
16	16' SIGNAL ARM	5072	4742



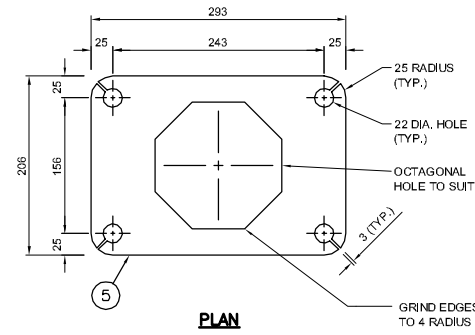
SECTION 1
NTS



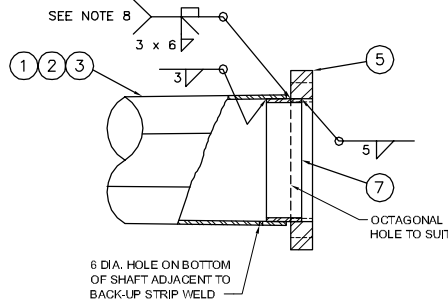
REACH ARM ELEVATION
NTS



DETAIL A
NTS

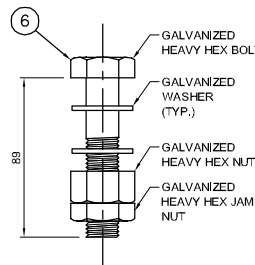


PLAN



SECTION

DETAIL B
NTS



DETAIL C
NTS

BILL OF MATERIALS

MK. NO.	QTY. REQ'D.	DESCRIPTION	SIZE	MATERIAL	REMARKS	LINE NO.
2.438 m (8') SIGNAL ARM - 8						
1	1	OCTAGONAL SECTION SHAFT	114 A/F - 73 A/F x 3.038	CSA G40.21 350W		2
4	1	PIPE TENON	60.3 O.D. x 3.91 x 355	ASTM A53 GR. B SCH. 40		3
5	1	FLANGE PLATE	25 x 206 x 293	CSA G40.21 300W		4
6	4	FLANGE BOLTS	19 (3/4") DIA. x 89	ASTM A325	SEE DETAIL C	5
7	1	BACK-UP STRIP PLATE	4.554 x 40	CSA G40.21 350W		6
3.658 m (12') SIGNAL ARM - 12						
2	1	OCTAGONAL SECTION SHAFT	133 A/F - 73 A/F x 3.038	CSA G40.21 350W		9
4	1	PIPE TENON	60.3 O.D. x 3.91 x 355	ASTM A53 GR. B SCH. 40		10
5	1	FLANGE PLATE	25 x 206 x 293	CSA G40.21 300W		11
6	4	FLANGE BOLTS	19 (3/4") DIA. x 89	ASTM A325	SEE DETAIL C	12
7	1	BACK-UP STRIP PLATE	4.554 x 40	CSA G40.21 350W		13
4.877 m (16') SIGNAL ARM - 16						
3	1	OCTAGONAL SECTION SHAFT	146 A/F - 73 A/F x 3.038	CSA G40.21 350W		16
4	1	PIPE TENON	60.3 O.D. x 3.91 x 355	ASTM A53 GR. B SCH. 40		17
5	1	FLANGE PLATE	25 x 206 x 293	CSA G40.21 300W		18
6	4	FLANGE BOLTS	19 (3/4") DIA. x 89	ASTM A325	SEE DETAIL C	19
7	1	BACK-UP STRIP PLATE	4.554 x 40	CSA G40.21 350W		20
						21

APPROXIMATE TOTAL MASS: 8' ARM - 30 kg
12' ARM - 40 kg
16' ARM - 52 kg

NOTES:

- ALL MATERIALS, EXCEPT STAINLESS STEEL ITEMS, SHALL BE HOT DIP GALVANIZED IN ACCORDANCE WITH ASTM A123-09 (PLUS LATEST REVISIONS) WITH NET RETENTION OF 610 g/m².
- PROVIDE RAISED IDENTIFICATION NUMBER WITH WELDING ELECTRODE AS PER SPECIFICATION, STRUCTURE TYPE CODE INDICATED IN TABLE THIS DRAWING.
- SHIP WITH BOLTS C/W NUTS AND WASHERS IN FLANGE.
- PROVIDE RAISED 'T' ON TOP OF ARM NEAR FLANGE PLATE USING WELDING ELECTRODE.
- GRIND ALL SHARP POINTS AND EDGES.
- TO BE USED WITH LIGHT AND MEDIUM DUTY SHAFTS.
- LONGITUDINAL SEAM WELD SHALL HAVE 60% MINIMUM PENETRATION EXCEPT WITHIN 150 mm OF FLANGE PLATE SHALL BE COMPLETE PENETRATION.
- EXTERIOR WELD JOINING ARM SHAFT TO FLANGE PLATE SHALL BE AN UNEQUAL LEG COMPLETE PENETRATION WELD WITH THE LONG LEG OF THE WELD ALONG THE ARM, TERMINATING AT 30' FROM THE ARM'S SURFACE.

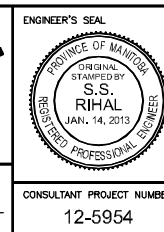
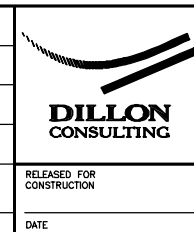
G:\CAD\128954\Contract\Current\REACH ARM.dwg



REDUCED DRAWING
N.T.S.

NO.	REVISIONS	DATE	BY	DATE
1	ISSUED BY DILLON CONSULTING	1/14/13	CDW	

DESIGNED BY	CDW
DRAWN BY	JGW
CHECKED BY	SSR
APPROVED BY	-
HOR. SCALE	NTS
VERTICAL	NTS



THE CITY OF WINNIPEG
PUBLIC WORKS DEPARTMENT

8', 12', 16' TRAFFIC SIGNAL & PEDESTRIAN CORRIDOR ARMS

CITY DRAWING NUMBER: N/A
SHEET 6 OF 13
CONSULTANT DRAWING NUMBER: N/A

CONSULTANT PROJECT NUMBER: 12-5954