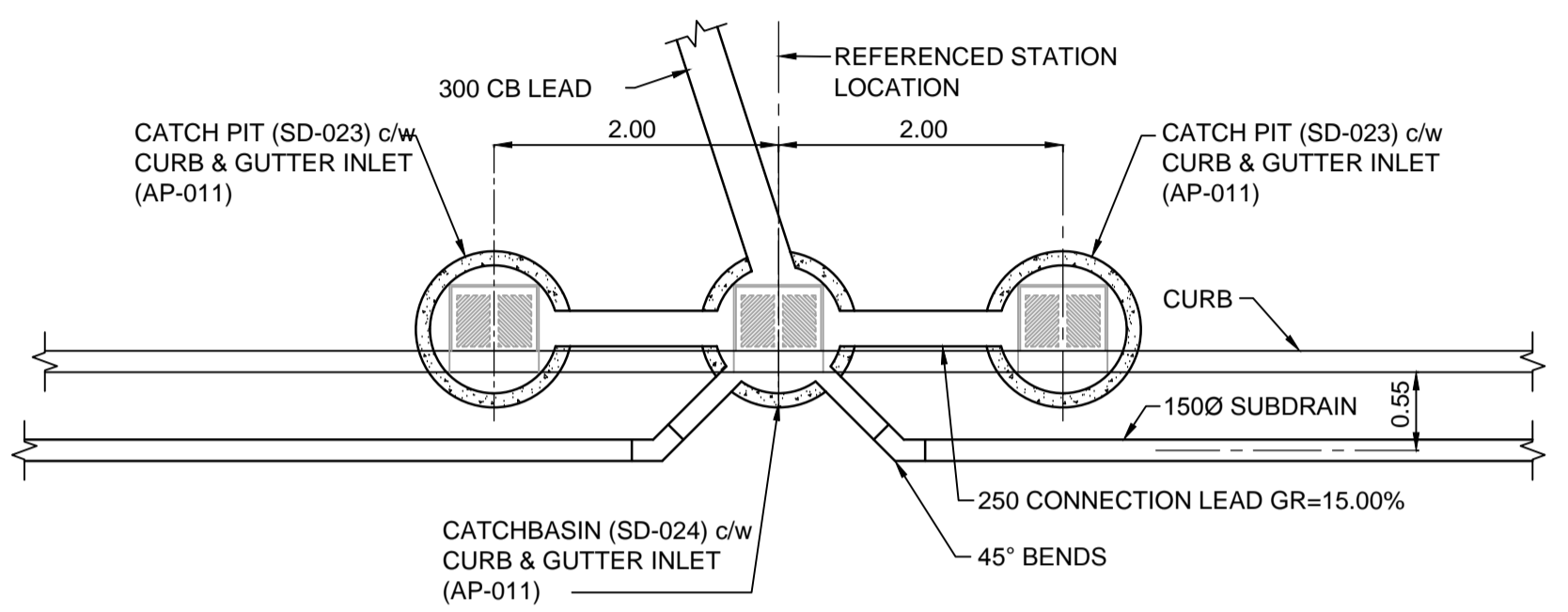
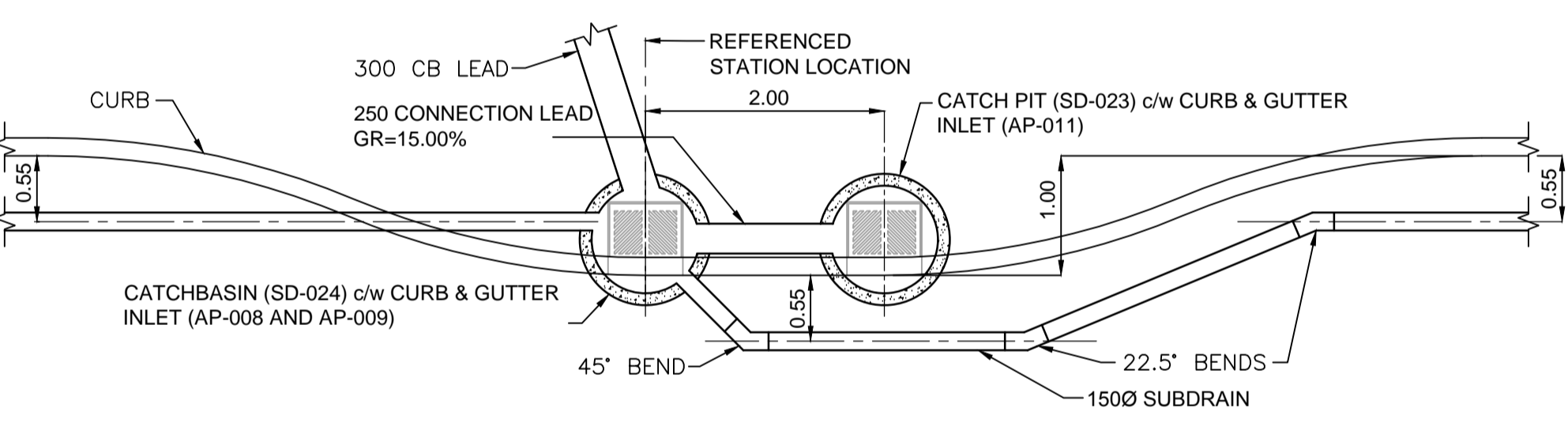


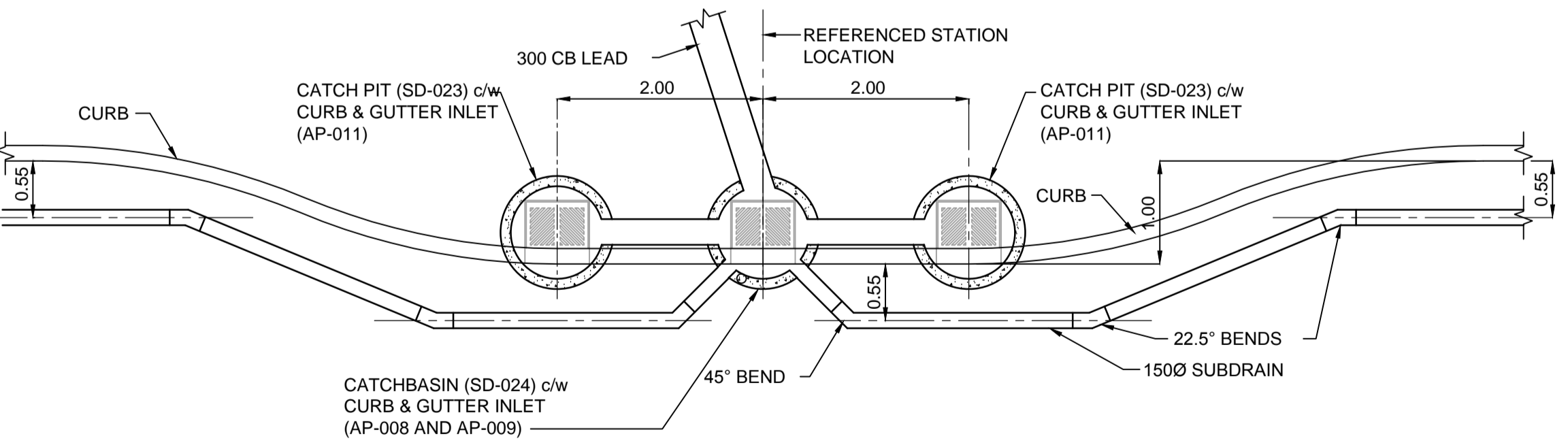
1 DUAL INLETS WITH LEADS
45 1:50



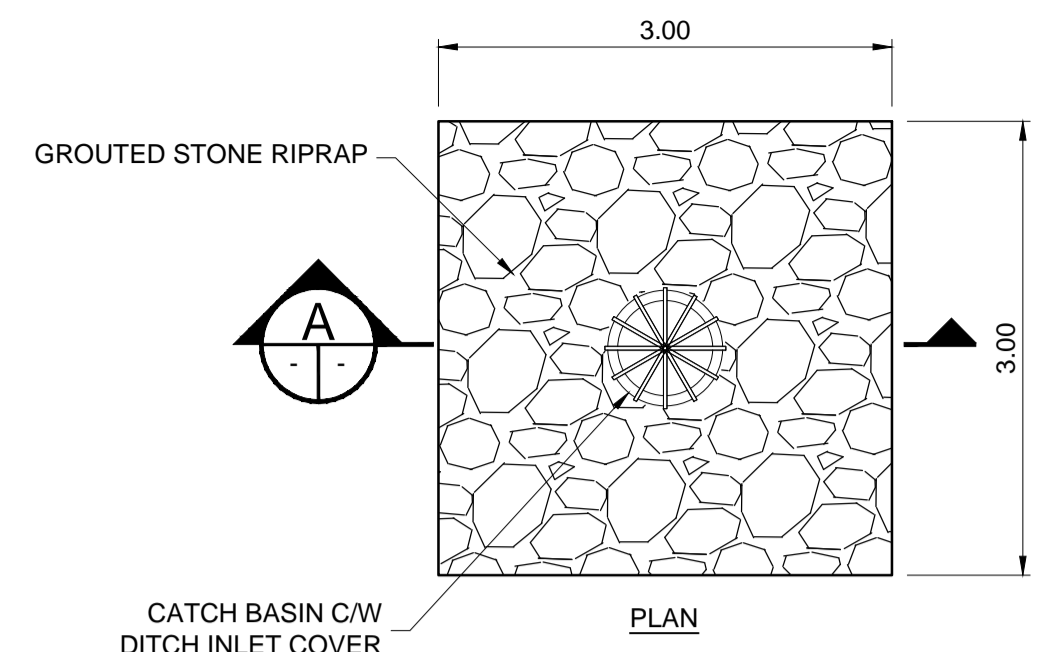
2 TRIPLE INLETS WITH LEADS
45 1:50



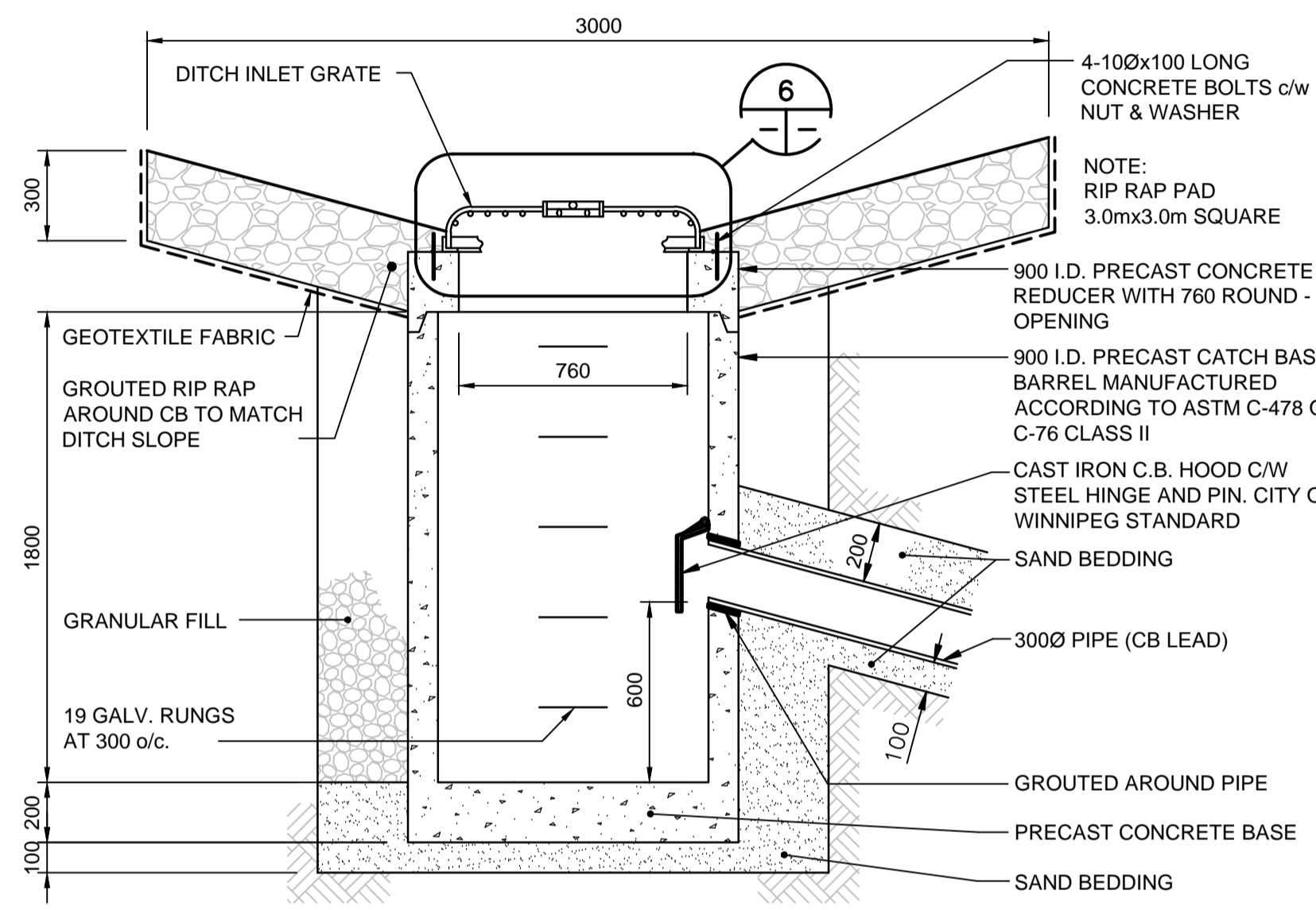
3 OFFSET DUAL INLETS WITH LEADS
45 1:50



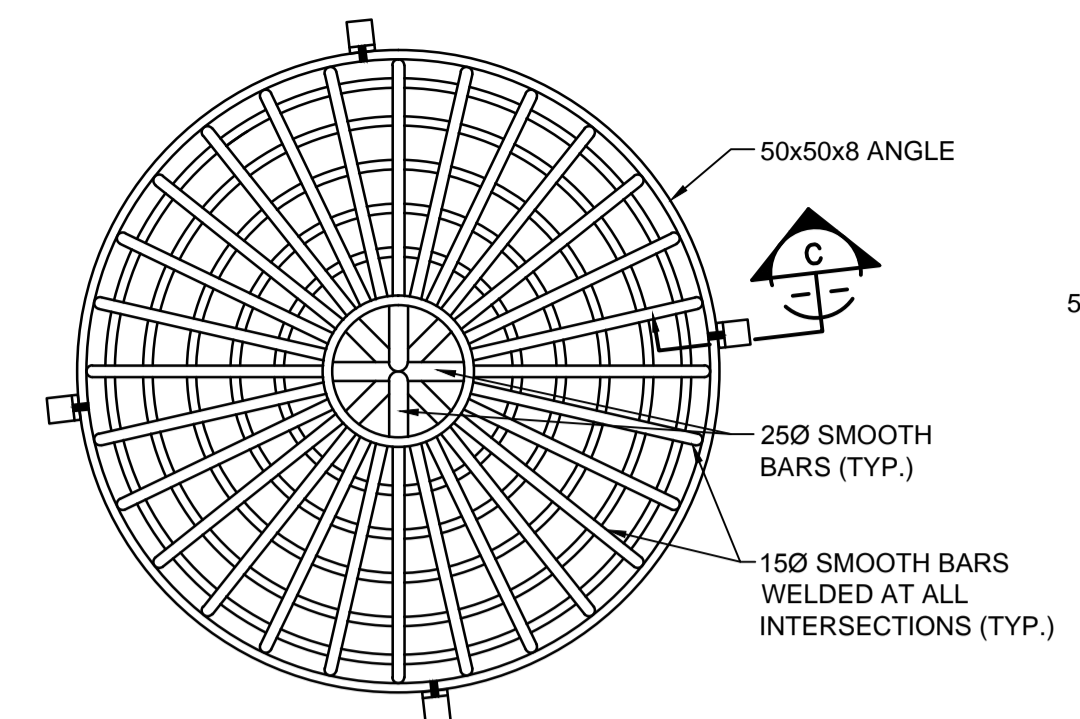
4 OFFSET TRIPLE INLETS WITH LEADS
45 1:50



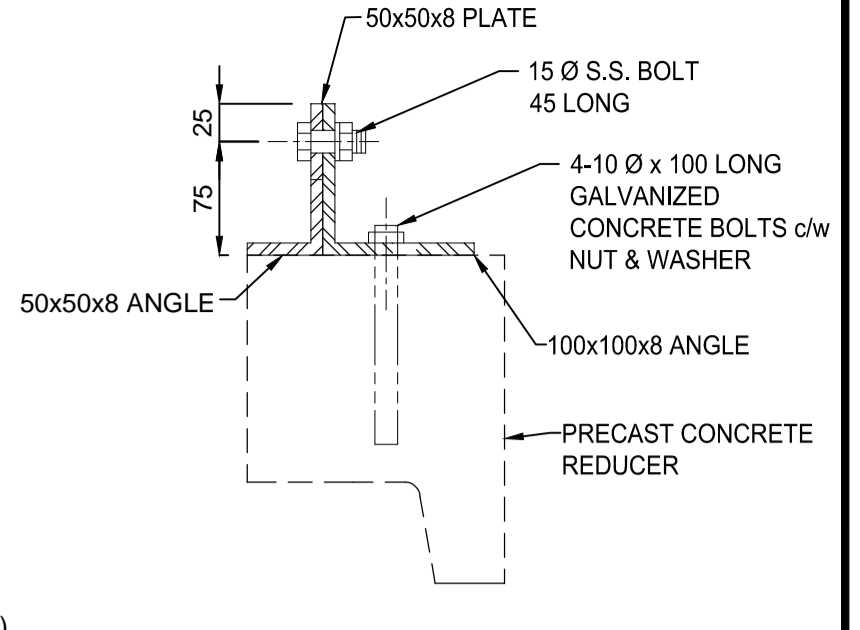
5 GROUDED STONE RIPRAP AT DITCH CATCH BASIN
45 1:50



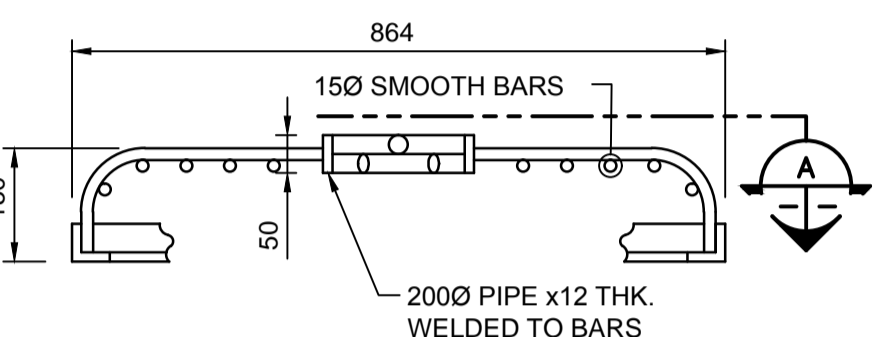
A DITCH CATCHBASIN DETAIL
45 1:20



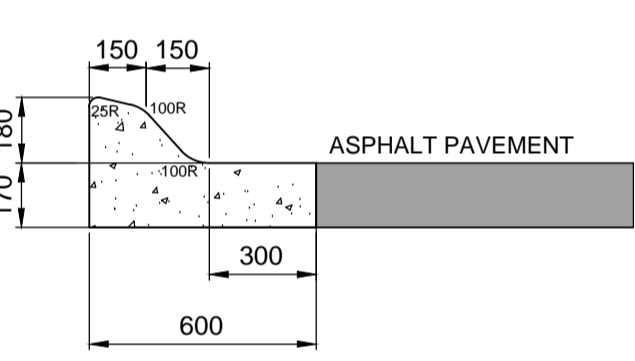
6 DITCH INLET GRATE DETAIL
45 1:10



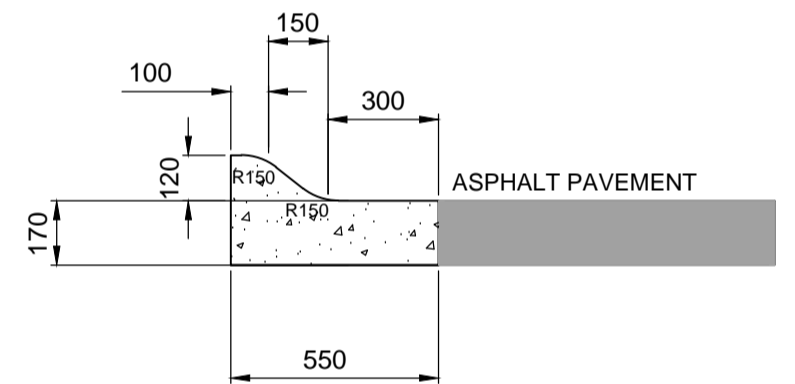
C DITCH INLET GRATE ATTACHMENT
45 1:10



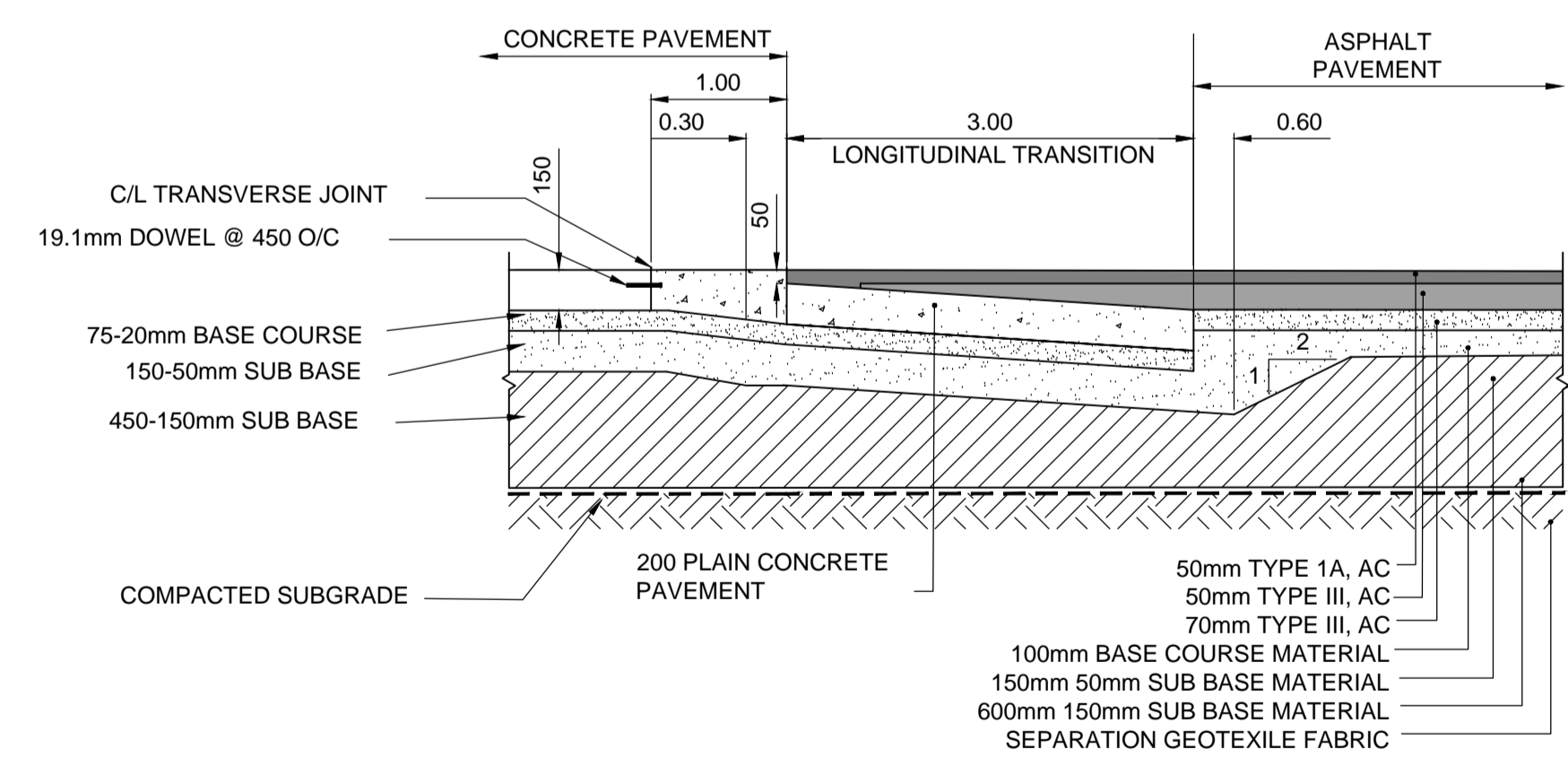
B DITCH INLET GRATE DETAIL
45 1:10



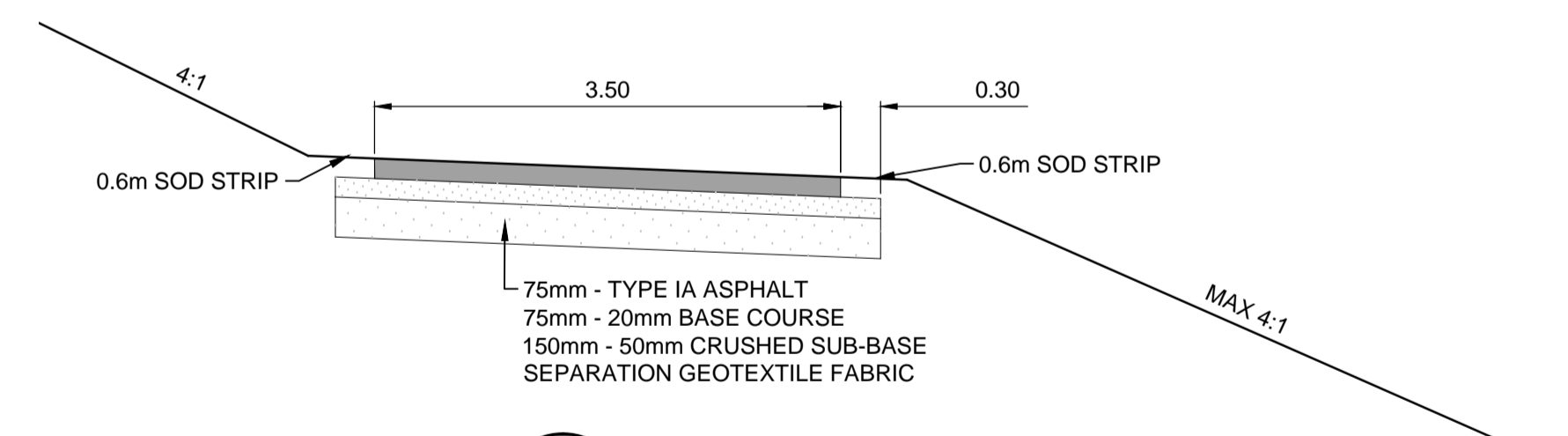
8 MODIFIED BARRIER CURB & GUTTER
45 1:20



9 120mm MOUNTABLE CURB & GUTTER
45 1:20



7 ASPHALTIC PAVEMENT TO CONCRETE PAVEMENT TRANSITION
45 1:50H 1:25V



10 ASPHALT MULTI-USE SIDEWALK
45 1:50H 1:25V

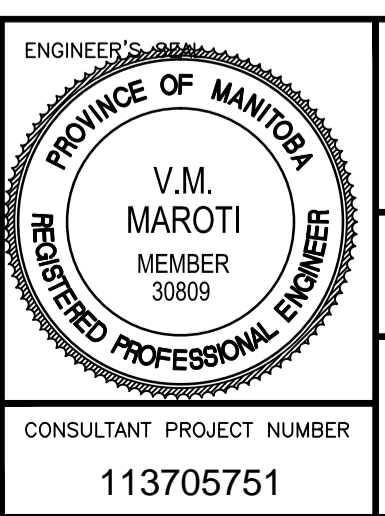
METRIC
WHOLE NUMBERS INDICATE MILLIMETRES
DECIMALIZED NUMBERS INDICATE METRES

VA 1137 (rev. 11/13/05) 113705751.dwg 404 - working sheet_files\05751c-501 - details.dwg

150 mm	WATERMAIN	150 mm	M.T.S.	M.T.S.	150 mm W.M.	WATERMAIN	150 mm W.M.
+	HYDRANT VALVE	+	CONCRETE	CONCRETE	+	HYDRANT VALVE	+
+	LAND DRAINAGE SEWER	+	ASPHALT	ASPHALT	+	LAND DRAINAGE SEWER	+
+	WASTE WATER SEWER	+	PLANING	PLANING	+	WASTE WATER SEWER	+
+	MANHOLE	+	SIDEWALK	SIDEWALK	+	MANHOLE	+
+	CATCH BASIN	+	PAVING STONES	PAVING STONES	+	CATCH BASIN	+
+	TEST HOLES	+	PROPERTY LINE	PROPERTY LINE	+	TEST HOLES	+
+	CULVERT	+	SURVEY BAR	SURVEY BAR	+	CULVERT	+
+	GAS	+	CURB RAMP	CURB RAMP	+	GAS	+
+	HYDRO	+	DITCH	DITCH	+	HYDRO	+
+	HYDRO	+	SWALE	SWALE	+	HYDRO	+
+	EXISTING	+	LEGEND-PLAN	LEGEND-PLAN	+	EXISTING	+
+	PROPOSED	+	LEGEND-PROFILE	LEGEND-PROFILE	+	PROPOSED	+

NO.	REVISIONS	DATE	BY	DATE
2	ISSUED FOR TENDER	13/04/08	V.M.M.	
1	ISSUED FOR REVIEW	13/03/27	V.M.M.	
0	ISSUED FOR 90% REVIEW	13/02/22	V.M.M.	

DESIGNED BY	V.M.M.
DRAWN BY	T.G.
CHECKED BY	S.B.C.
APPROVED BY	V.M.M.
DESIGN TEAM	Stantec
ENGINEER'S PROJECT NUMBER	113705751



THE CITY OF WINNIPEG PUBLIC WORKS DEPARTMENT

WWARP PART 3 - CONTRACT 1
STA 2+922.4 TO STA 5+935

KENASTON BLVD. EXTENSION - SB & NB LANES
MISCELLANEOUS ROAD DETAILS

CITY DRAWING NUMBER: P-3345-45
SHEET: 45 OF 64
CONSULTANT DRAWING NUMBER: C-501

