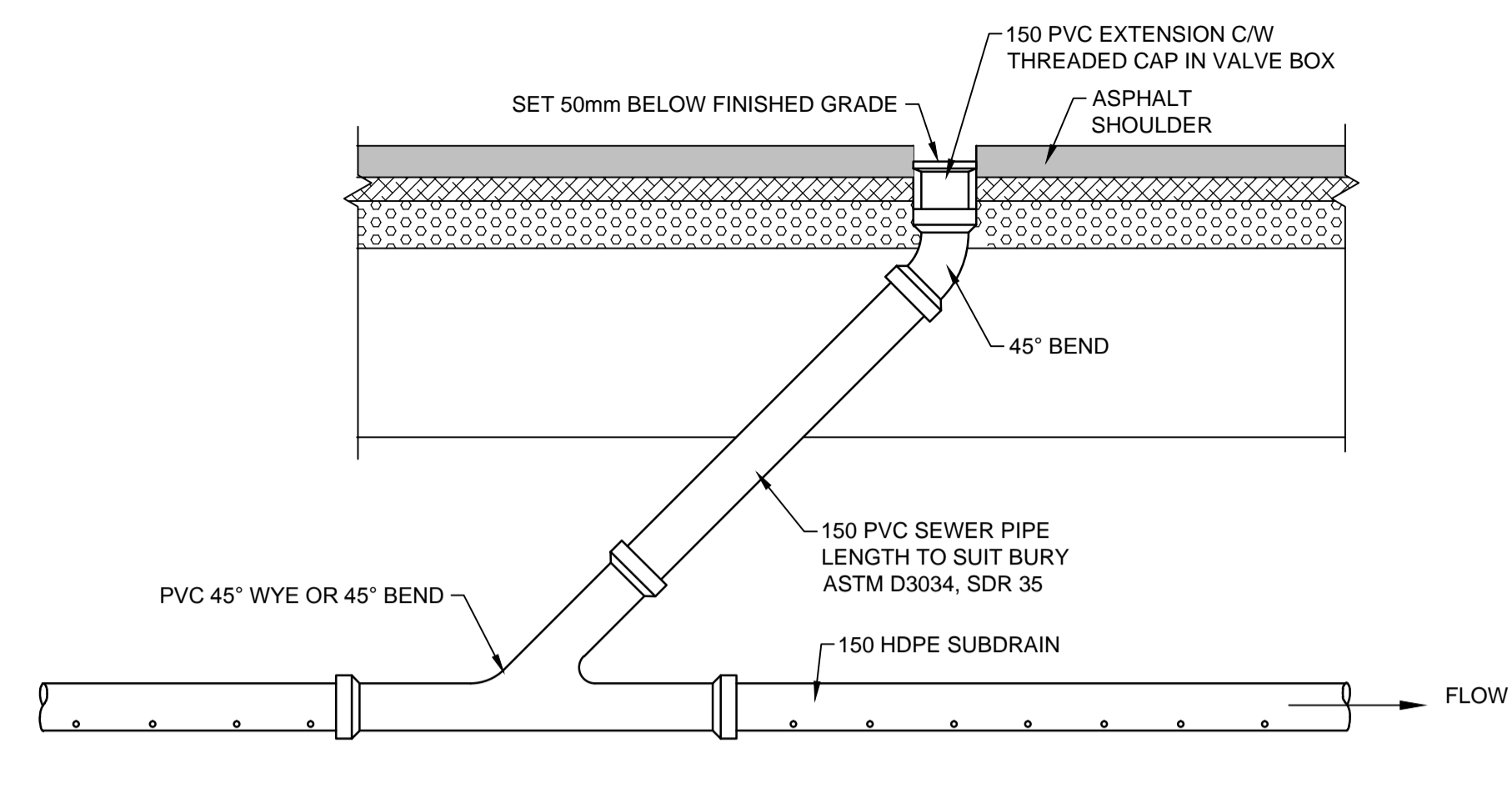
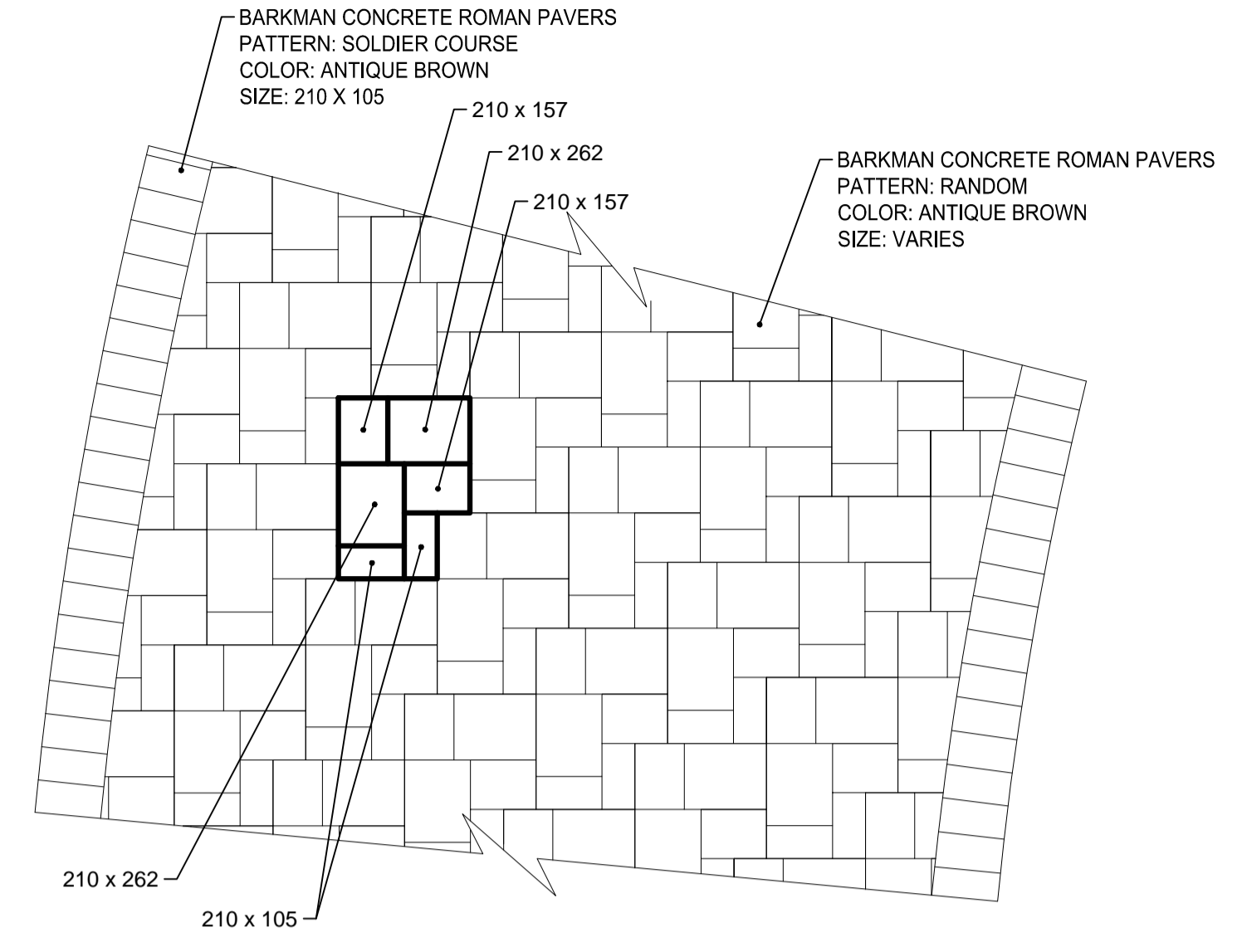


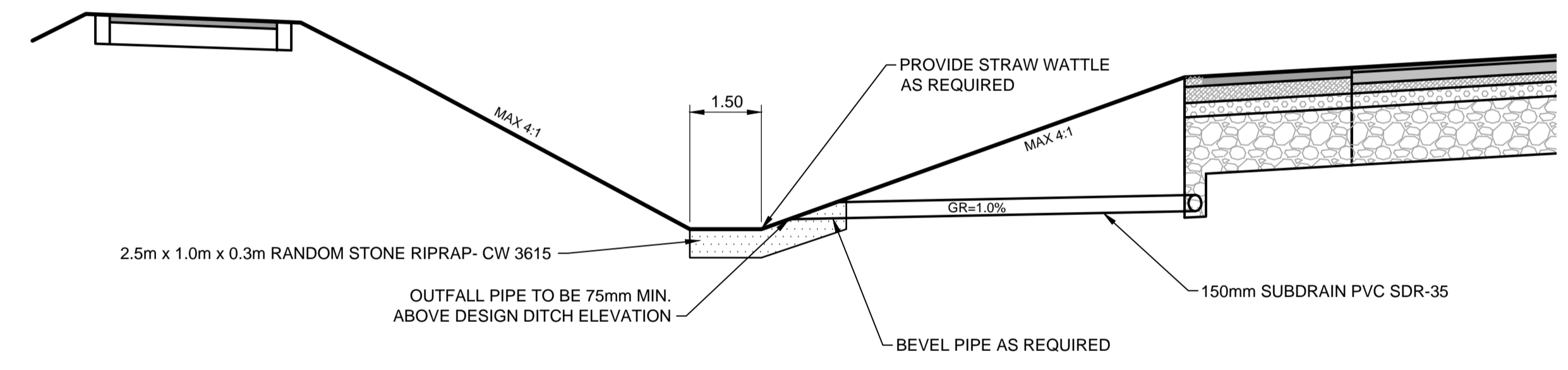
11 GROUTED STONE RIPRAP
46 1:50



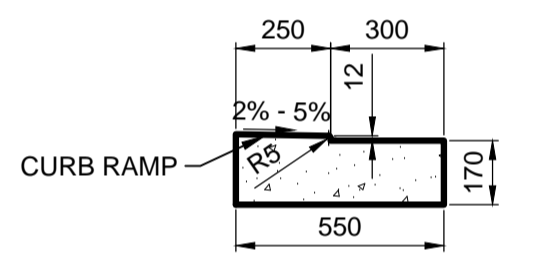
12 SUBDRAIN CLEANOUT DETAIL
46 1:20



13 PAVING STONES ON SMART CHANNEL ISLAND
46 1:20



14 TYPICAL SUBDRAIN OUTFALL
- 1:100



15 CURB RAMP & GUTTER
46 1:20

METRIC

WHOLE NUMBERS INDICATE MILLIMETRES
DECIMALIZED NUMBERS INDICATE METRES

WARNING IF POWER

EQUIPMENT OR EXPLOSIVES ARE TO BE USED FOR EXCAVATION ON THIS PROJECT THE CONTRACTOR MUST:

1. NOTIFY THE GAS COMPANY OF THE PROPOSED LOCATION OF EXCAVATION.
2. TAKE PRECAUTION TO AVOID DAMAGE TO GAS COMPANY INSTALLATIONS SEE PROVINCIAL REGULATION 210/72 FOR DETAILS.
3. OBTAIN EXCAVATION PERMITS PRIOR TO CONSTRUCTION.



150 WM	WATERMAIN	150 WM	MTS	M.T.S.	MTS	150 mm W.M.	WATERMAIN	150 mm W.M.
+	HYDRANT VALVE	+	MTS	CONCRETE ASPHALT PLANING	+	+	HYDRANT VALVE	+
300 LDS	LAND DRAINAGE SEWER	300 LDS	MTS	SIDEWALK PAVING STONES	300 mm L.D.S.	300 mm L.D.S.	LAND DRAINAGE SEWER	300 mm L.D.S.
250 WWS	WASTE WATER SEWER	250 WWS	MTS	PROPERTY LINE SURVEY BAR	250 mm W.W.S.	250 mm W.W.S.	WASTE WATER SEWER	250 mm W.W.S.
○	MANHOLE	○	MTS	CURB RAMP	○	○	MANHOLE	○
□	CATCH BASIN	□	MTS	DITCH	□	□	CATCH BASIN	□
⊕	TEST HOLES	⊕	MTS	SWALE	⊕	⊕	TEST HOLES	⊕
○	CULVERT	○	MTS		○	○	CULVERT	○
100 GAS	GAS	100 GAS	MTS		100 GAS	100 GAS	GAS	100 GAS
HYDRO	HYDRO	HYDRO	MTS		HYDRO	HYDRO	HYDRO	HYDRO
EXISTING	LEGEND-PLAN	PROPOSED	EXISTING	LEGEND-PLAN	PROPOSED	EXISTING	LEGEND-PROFILE	PROPOSED

UNDERGROUND STRUCTURES
SUPV. U/G STRUCTURES COMMITTEE DATE
NOTE:
LOCATION OF UNDERGROUND STRUCTURES AS SHOWN ARE BASED ON THE BEST INFORMATION AVAILABLE. BUT NO GUARANTEE IS GIVEN THAT ALL EXISTING UTILITIES ARE SHOWN OR THAT THE GIVEN LOCATIONS ARE EXACT. CONFIRMATION OF EXISTENCE AND EXACT LOCATION OF ALL SERVICES MUST BE OBTAINED FROM THE INDIVIDUAL UTILITIES BEFORE PROCEEDING WITH CONSTRUCTION.

B.M. ELEV.	DESIGNED BY	DESIGN TEAM	ENGINEER'S SIGNATURE
	V.M.M., T.G.		
	DRAWN BY T.G.		
	CHECKED BY S.B.C.		
	APPROVED BY V.M.M.		
	HOR. SCALE AS NOTED	RELEASED FOR CONSTRUCTION	
	VERTICAL ----		
	CONSULTANT PROJECT NUMBER 113705751		

NO.	REVISIONS	DATE	BY
2	ISSUED FOR TENDER	3/04/08	V.M.M.
1	ISSUED FOR REVIEW	3/03/27	V.M.M.
0	ISSUED FOR 90% REVIEW	13/02/22	V.M.M.

DATE	DATE
12/09/12	



THE CITY OF WINNIPEG PUBLIC WORKS DEPARTMENT

WWARP PART 3 - CONTRACT 1
STA 2+922.4 TO STA 5+935

KENASTON BLVD. EXTENSION - SB & NB LANES
MISCELLANEOUS ROAD DETAILS

CITY DRAWING NUMBER P-3345-46
SHEET 46 OF 64
CONSULTANT DRAWING NUMBER C-502

VA 1137\civ\113705751\drawing\404_working\sheet_files\05751c-501_details.dwg