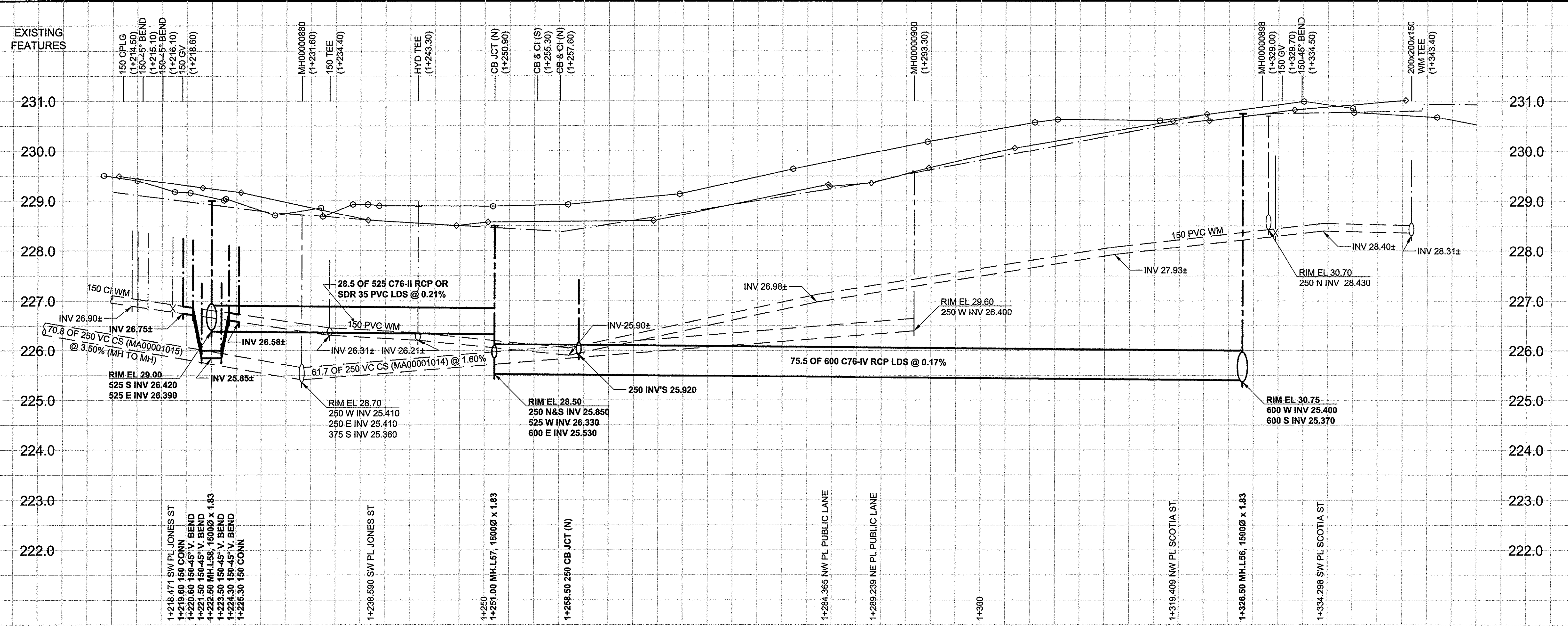


D SIZE 22" x 34" (559mm x 864mm) PLOT: 3/25/2013 2:20:25 PM AECOM REVIEW DRAFT CHK (CA) AECOM FILE NAME: P:\602193\15000-CADD\040-CADD\SHT-00-CON-3-C-0010.dwg Saved By:



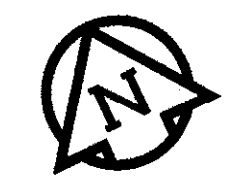
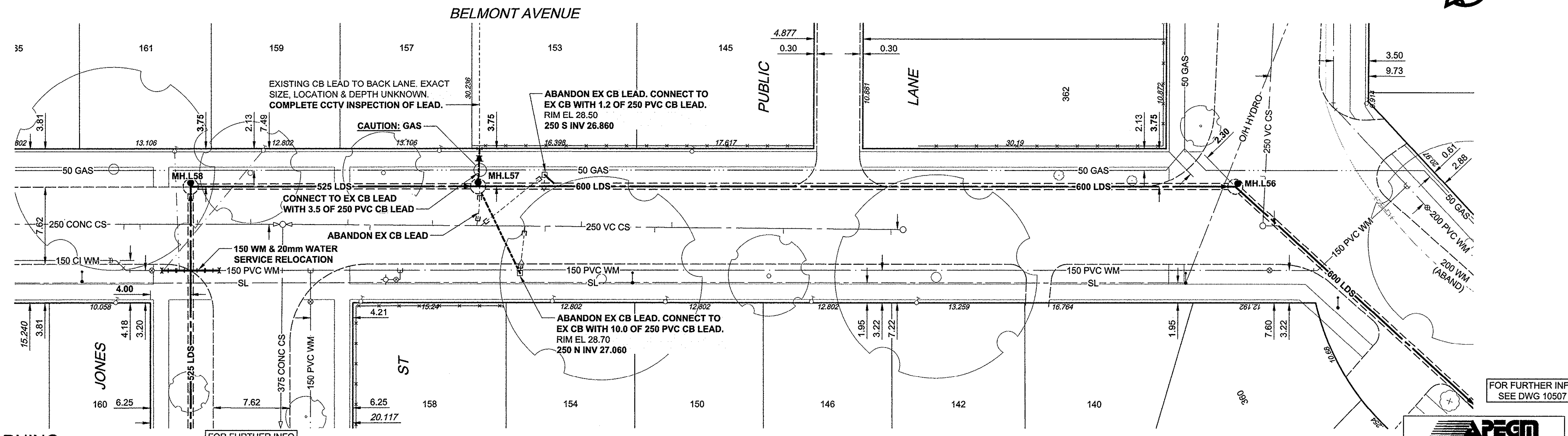
**SEWER SERVICE INFORMATION**

ADDRESS	PL TIE (SHORT/LONG)	JUNCTION TIE	REMARKS
140 BELMONT			NO INFO
142 BELMONT		10.7m WEL LOT	
145 BELMONT		40.2m E OF MH @ JONES	
146 BELMONT			NO INFO
150 BELMONT		2.1m EWL HSE	
153 BELMONT		19.3m E OF MH @ JONES	
154 BELMONT			NO INFO
157 BELMONT		14.6m E OF MH @ JONES	
158 BELMONT		8.2m E OF MH @ JONES	
159 BELMONT		5.5m EWL LOT	
160 BELMONT		14.0m W OF MH @ JONES	NO INFO
161 BELMONT			NO INFO

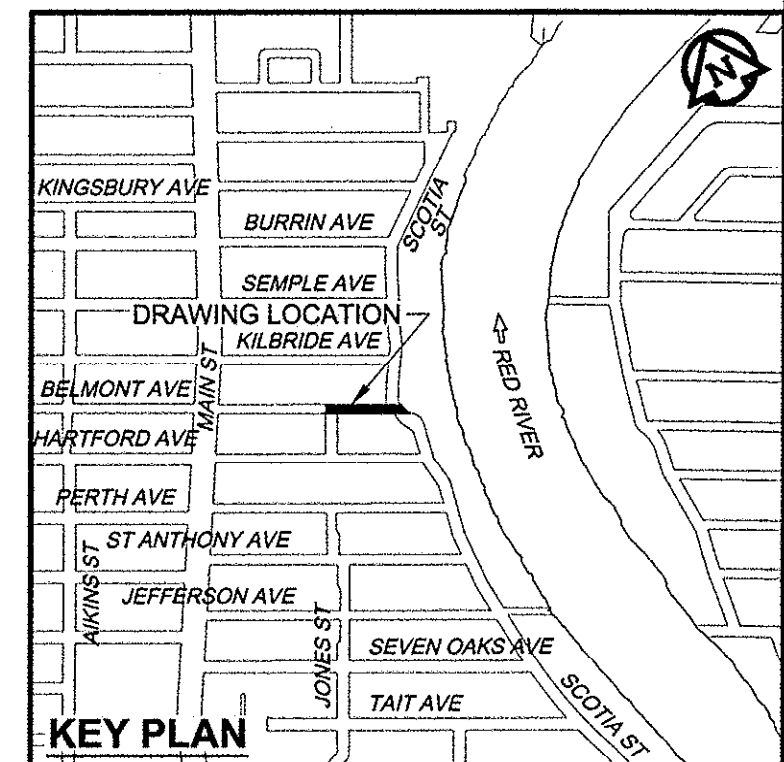
**WATER SERVICE INFORMATION**

ADDRESS	DISTANCE PROPERTY	SIZE (mm) & TYPE	SHORT & LONG MEASUREMENT	CORPORATION LOCATION	REMARKS
140 BELMONT	0.03	20 COPPER	2.8m EEL HSE 13.4m WWL SCOTIA	4.8m E OF S/C	
142 BELMONT	0.30	20 COPPER	0.7m EWL HSE 37.5m WWL SCOTIA	1.9m W OF S/C	
145 BELMONT	0.30	20 COPPER	3.1m WWL HSE 47.2m WWL SCOTIA	2.0m W OF S/C	
146 BELMONT	0.15	20 COPPER	2.0m EWL HSE 48.2m WWL SCOTIA	0.4m E OF S/C	
150 BELMONT	0.15	20 COPPER	1.3m EWL HSE 31.4m EEL JONES	0.4m W OF S/C	
153 BELMONT	0.75	20 COPPER	2.8m WEL HSE 57.6m WWL SCOTIA	1.0m W OF S/C	
154 BELMONT	0.15	20 COPPER	2.3m EWL HSE 20.1m EEL JONES	1.1m E OF S/C	
157 BELMONT	0.30	20 COPPER	0.05m WEL HSE 72.5m WWL SCOTIA	3.6m E OF S/C	
158 BELMONT	0.30	20 COPPER	0.2m WWL HSE 0.9m EEL JONES	0.3m E OF S/C	
159 BELMONT	0.20	20 COPPER	4.0 WEL HOUSE 90.2 WWL SCOTIA	9.9 W OF S/C	
160 BELMONT	0.15	20 COPPER	2.4m WEL HSE 3.4m WWL JONES	0.2m W OF S/C	
161 BELMONT	0.15	20 COPPER	0.9 WEL HOUSE 99.1 WWL SCOTIA	0.5 E OF S/C	

CHAINAGE ALONG S PL



- CONSTRUCTION NOTES:**
- FOR DETAILED TEST HOLE INFORMATION, SEE SPECIFICATION.
  - LOCATION OF SERVICES SHOWN ON DRAWINGS ARE APPROXIMATE.
  - CONFIRM LOCATION OF ALL WATER & WASTEWATER SERVICES IN THE FIELD.
  - INSTALL NEW SEWERS, CATCHBASIN LEADS AND WATERMANS BY TRENCHLESS METHODS.
  - ALL SHAFTS SHALL HAVE CLASS 3 BACKFILL.



**WARNING**  
IF POWER EQUIPMENT OR EXPLOSIVES ARE TO BE USED FOR EXCAVATION ON THIS PROJECT, THE CONTRACTOR MUST:  
1) NOTIFY THE GAS COMPANY OF THE PROPOSED LOCATION OF EXCAVATION.  
2) TAKE PRECAUTION TO AVOID DAMAGE TO GAS COMPANY INSTALLATIONS.  
SEE PROVINCIAL REGULATION 140/92 FOR DETAILS

FOR FURTHER INFO SEE DWG 10509

FOR FURTHER INFO SEE DWG 10507

**APEGM**  
Certificate of Authorization  
AECOM Canada Ltd.  
No. 4671 Date: *March 26, 2013*

**METRIC**  
WHOLE NUMBERS INDICATE MILLIMETRES  
DECIMALIZED NUMBERS INDICATE METRES

**SEWER SERVICE INFORMATION**

LEGEND - PLAN	LEGEND - PROFILE	LEGEND - PLAN	LEGEND - PROFILE
150 WM	150 WM	150 WM	150 WM
300 LDS	300 LDS	300 LDS	300 LDS
250 WWS	250 WWS	250 WWS	250 WWS
MANHOLE	MANHOLE	MANHOLE	MANHOLE
CATCH BASIN	CATCH BASIN	CATCH BASIN	CATCH BASIN
CURB INLET	CURB INLET	CURB INLET	CURB INLET
CULVERT	CULVERT	CULVERT	CULVERT
PIPE ABANDONMENTS	PIPE ABANDONMENTS	PIPE ABANDONMENTS	PIPE ABANDONMENTS
SURVEY BAR	SURVEY BAR	SURVEY BAR	SURVEY BAR
EXISTING	EXISTING	EXISTING	EXISTING
LEGEND - PLAN	LEGEND - PLAN	LEGEND - PROFILE	LEGEND - PROFILE
NEW	NEW	NEW	NEW
EXISTING	EXISTING	EXISTING	EXISTING
LEGEND - PLAN	LEGEND - PLAN	LEGEND - PROFILE	LEGEND - PROFILE
NEW	NEW	NEW	NEW
EXISTING	EXISTING	EXISTING	EXISTING
LEGEND - PLAN	LEGEND - PLAN	LEGEND - PROFILE	LEGEND - PROFILE
NEW	NEW	NEW	NEW
EXISTING	EXISTING	EXISTING	EXISTING

**LOCATION APPROVED**  
UNDERGROUND STRUCTURES

NO.	REVISIONS	DATE	BY
0	ISSUED FOR CONSTRUCTION	13/03/26	ADL
1	REVISIONS	YY/MM/DD	

**AECOM**

DESIGNED BY: FMI  
CHECKED BY: EDT  
DRAWN BY: ADL  
APPROVED BY: [Signature]  
HOR. SCALE: 1:250  
VERT. SCALE: 1:50  
DATE: *March 26, 13*

PROFESSIONAL'S SEAL  
**E.D.J. TOUPIN**  
Member  
23484  
26/03/2013  
CONSULTANT DRAWING NO.  
60219315-SHT-00-CON-3-C-0010

**THE CITY OF WINNIPEG**  
WATER AND WASTE DEPARTMENT

**JEFFERSON EAST**  
COMBINED SEWER RELIEF  
CONTRACT 3  
BELMONT AVENUE  
JONES STREET TO  
SCOTIA STREET

SHEET 10 OF 13  
CITY DRAWING NUMBER  
10508  
REV 0

BID OPPORTUNITY NO. 235-2013