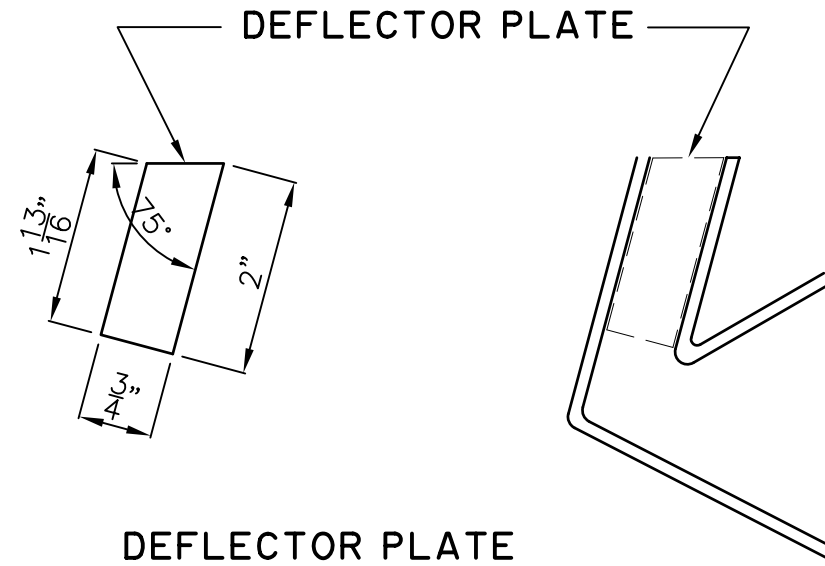
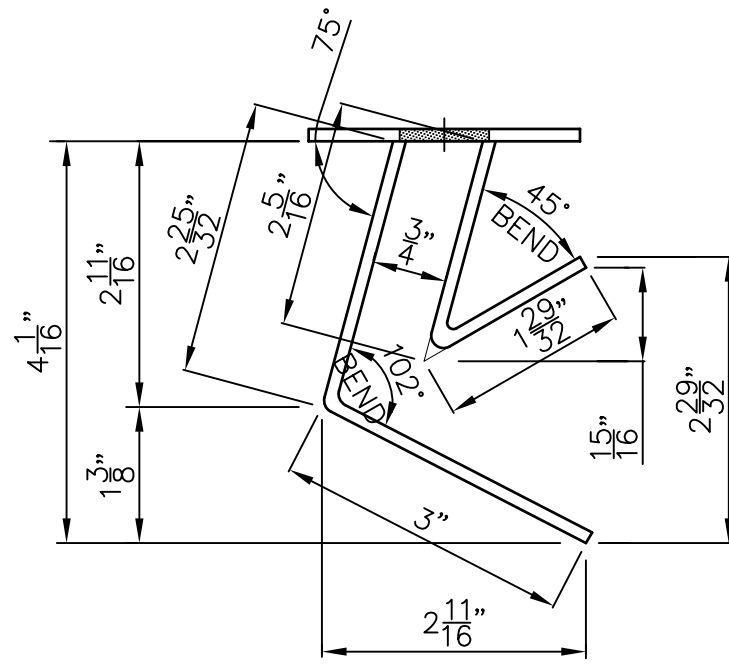


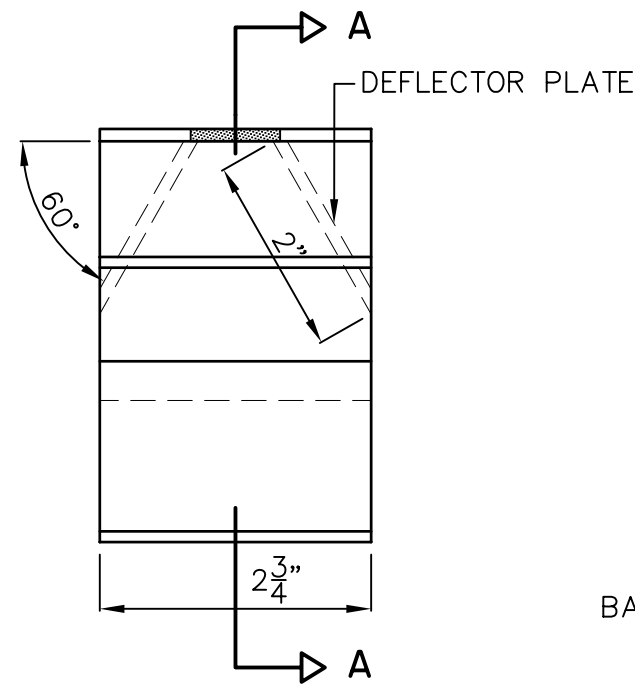
BACK PLATE
(SIDE VIEW)



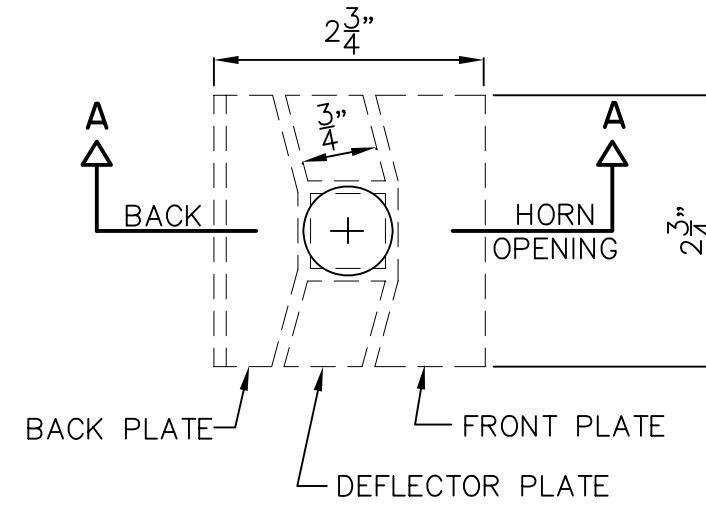
DEFLECTOR PLATE



SECTION A - A



FRONT VIEW




TOP VIEW

④ HORN PLATES

(0.125" ALUMINUM PLATE)

ALLOW NECESSARY MATERIAL FOR "RADIUS BENDS" TO MAINTAIN DIMENSIONS

				REFERENCE SPEC. NO.	ENGINEER'S SEAL	 THE CITY OF WINNIPEG PUBLIC WORKS DEPARTMENT TRANSPORTATION DIVISION	
				DESIGNED BY	CHECKED BY		SHEET 4 OF 6
				DRAWN BY KR	SCALE N.T.S.		CAD FILE DRAWING NUMBER
				APPROVED BY	KWLR 06/02/14		CITY DRAWING NUMBER ST-174
1.	REVISED DIMENSIONS	04,01,27	KR			HORN FRONT, BACK & DEFLECTOR PLATE	
NO.	REVISIONS	DATE	BY	DATE			