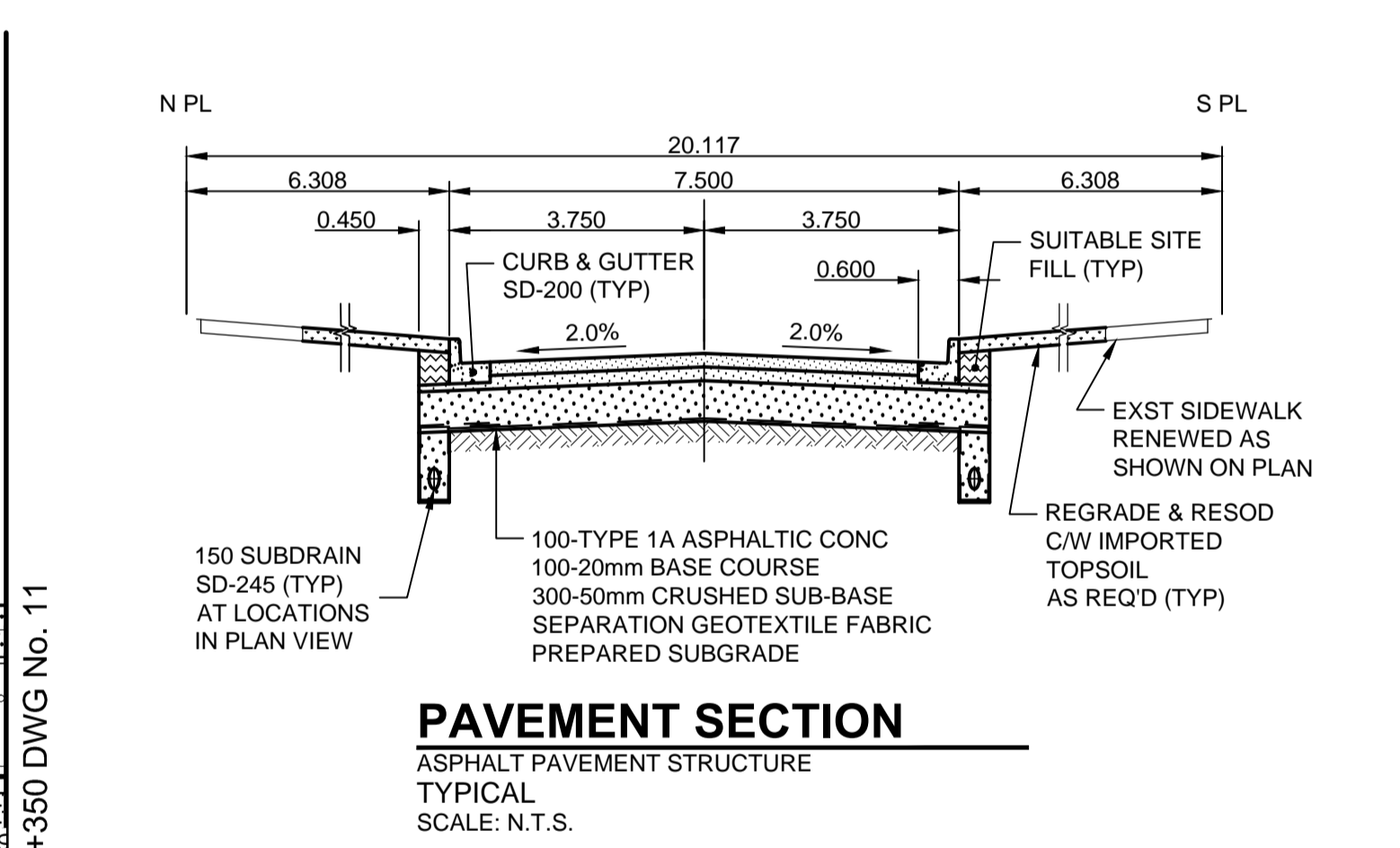
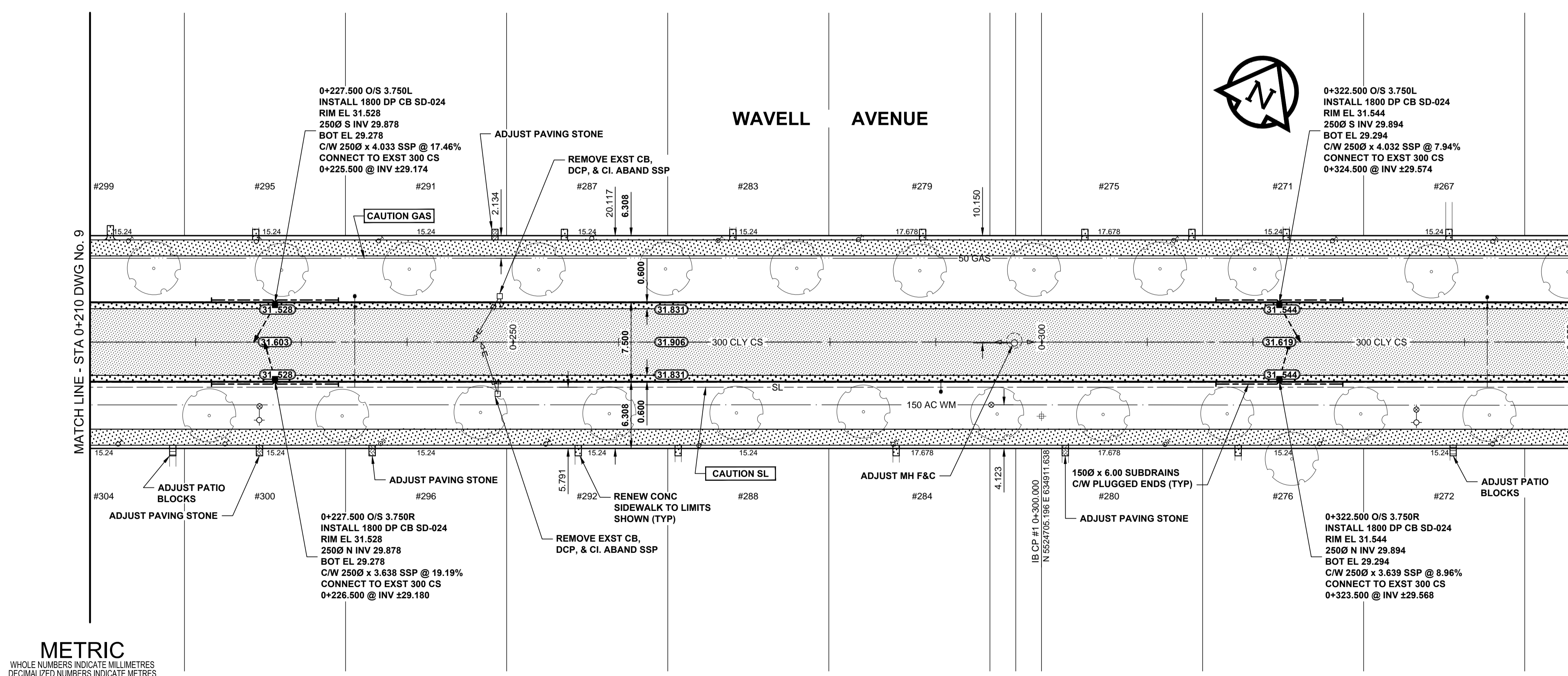
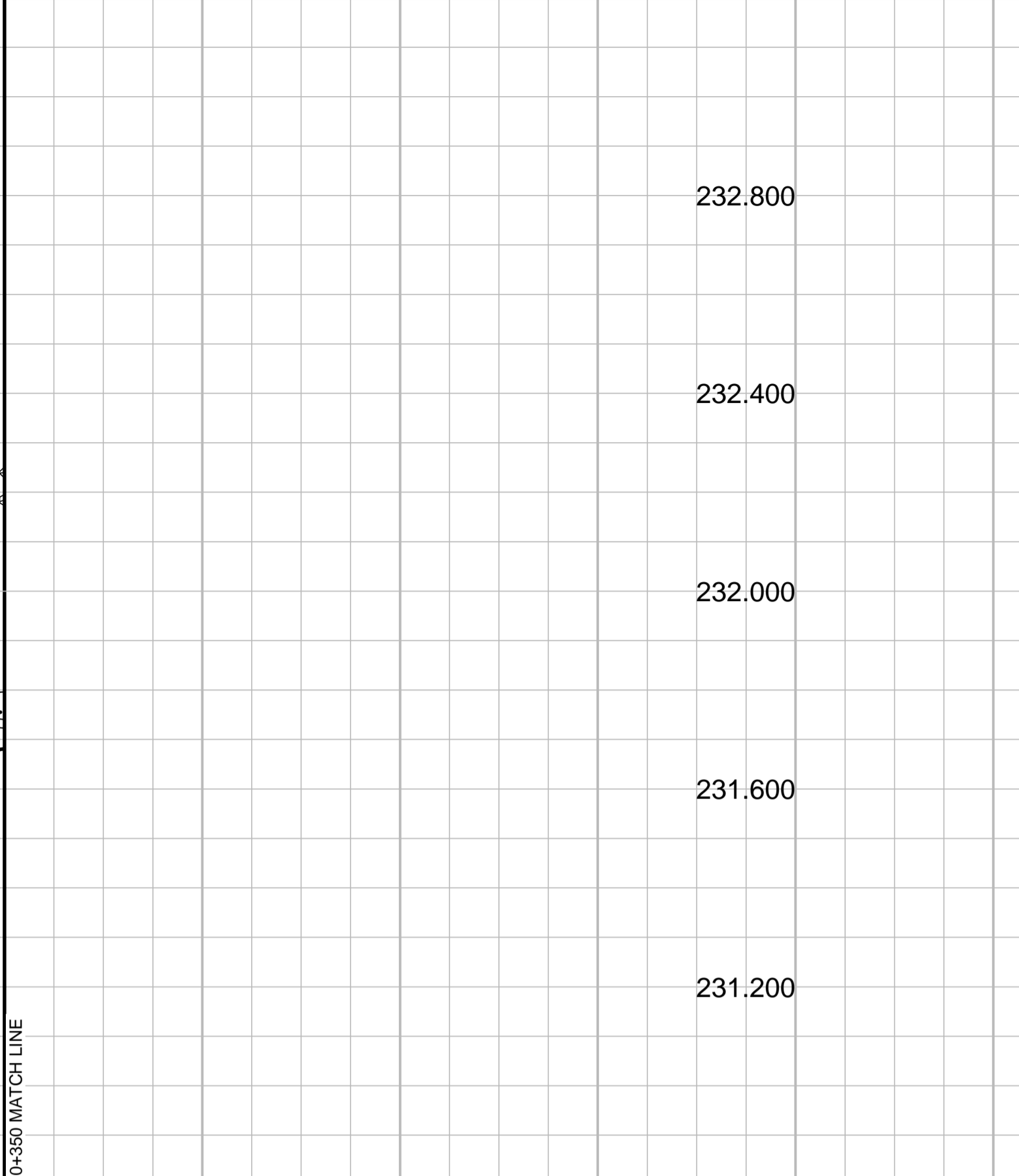
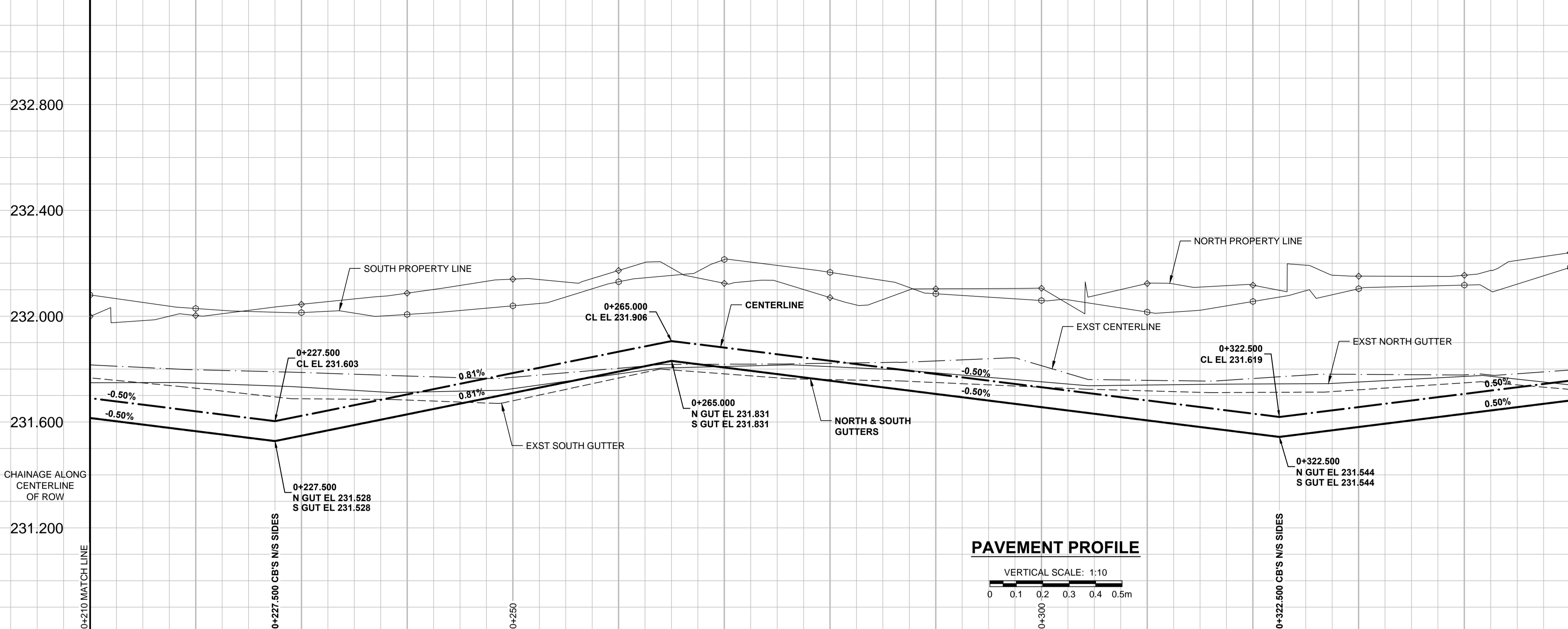


A1 SIZE 894mm x 841mm
PLOT: 13/05/01 11:14:09 AM
FILE NAME: W130003-T-010_RX.dwg Saved By: dlane



- NOTES**
- ADJUST MH AND CB RIMS TO NEW GRADES.
 - CONTRACTOR TO COMPLETE RECONSTRUCTION OF STREET LIGHTING (INCLUDING BASES, WIRING & LAMP STANDARDS). COORDINATION WITH MANITOBA HYDRO WILL BE REQUIRED.
 - CONTRACTOR TO REGRADE/RENEW EXST PRIVATE SIDEWALKS TO LIMITS AS SHOWN. SIDEWALKS TO BE RENEWED WITH CONCRETE UNLESS NOTED OTHERWISE.
 - CONTRACTOR TO TAKE PRECAUTIONARY STEPS TO PROTECT EXISTING TREES WITHIN THE LIMITS OF CONSTRUCTION FROM DAMAGE FROM CONSTRUCTION ACTIVITIES AS OUTLINED IN THE SPECIFICATIONS.
 - MODIFIED BARRIER CURB & GUTTER TO BE USED AT ALL INTERSECTION RADII.
 - CONTRACTOR TO CONFIRM THE LOCATION OF ALL UTILITIES/SERVICES IN THE FIELD PRIOR TO CONSTRUCTION. TO OBTAIN GEODETIC ELEVATIONS.
 - ADD 200.00mm TO ABBREVIATED ELEVATIONS TO OBTAIN GEODETIC ELEVATIONS.
 - SCALE FACTOR OF 0.999918684 USED TO CONVERT UTM TO GROUND COORDINATES.

METRIC
WHOLE NUMBERS INDICATE MILLIMETRES
DECIMAL NUMBERS INDICATE METRES

EXISTING	LEGEND - PLAN	NEW	EXISTING	LEGEND - PLAN	NEW	EXISTING	LEGEND - PLAN	NEW
---	GAS	---	○	MANHOLE	●	---	CONCRETE PAVEMENT	---
---	MTS	---	□	CATCH BASIN / CATCH PIT	■	---	CONC SIDEWALK / MEDIAN	---
---	HYDRO	---	△	CURB INLET WITH BOX	▲	---	ASPHALT PAVEMENT	---
---	CATV / FIBRE OPTIC	---	⊙	TREE	⊙	---	PAVING STONE	---
---	TRAFFIC SIGNALS / PIT	---	⊙ TH-12	TEST HOLE	⊙	---	GRAVEL	---
---	LAND DRAINAGE SEWER	---	---	PROPERTY LINE	---	---	RAMP CURB	---
---	SANITARY/COMBINED SEWER	---	---	SURVEY BAR	---	---	PLANING / REMOVAL	---
---	SEWER SERV/DRAINAGE CONN	---	---	FENCE	---	---		---
---	WATERMAIN	---	---	BOC / EDGE OF PAVEMENT	---	---		---
---	SUBDRAIN	---	33.000	ELEVATION	(33.100)	---		---
---	DITCH	---	---	TRAFFIC SIGN	(33.100)	---		---

LOCATION APPROVED
UNDERGROUND STRUCTURES

DATE COMMITTEE

NOTE:
LOCATION OF UNDERGROUND STRUCTURES AS SHOWN ARE BASED ON THE BEST INFORMATION AVAILABLE. BUT NO GUARANTEE IS GIVEN THAT ALL EXISTING UTILITIES ARE SHOWN OR THAT THE GIVEN LOCATIONS ARE EXACT. CONFIRMATION OF EXISTENCE AND EXACT LOCATION OF ALL SERVICES MUST BE OBTAINED FROM THE INDIVIDUAL UTILITIES BEFORE PROCEEDING WITH CONSTRUCTION.

GBM 53-036 ELEV 231.081m			
0	ISSUED FOR CONSTRUCTION	13/05/01	GFC
No.	REVISIONS	YYMMDDI	BY

MORRISON HERSHFIELD

DESIGNED BY: GFC
CHECKED BY: RPB

DRAWN BY: DID/DML
APPROVED BY: BWB

HOR. SCALE: 1:250
VERT. SCALE: 1:10

DATE: 13/05/24

PROFESSIONAL'S SEAL

PROVINCE OF MANITOBA
G.F.
COOLIDGE
Member
24485
May 1/13
REGISTERED PROFESSIONAL ENGINEER

CONSULTANT DRAWING No.
W130003-T-010_RX.dwg

THE CITY OF WINNIPEG
PUBLIC WORKS DEPARTMENT
ENGINEERING DIVISION

2013 LOCAL STREET PACKAGE
WAVELL AVENUE
OSBORNE SERVICE ROAD TO CASEY STREET
ASPHALT PAVEMENT RECONSTRUCTION
HORIZONTAL AND VERTICAL ALIGNMENT
STA 0+210 TO STA 0+350

CITY DRAWING NUMBER: N/A
SHEET 10 OF 26
DRAWING No. 10
REV 0

BID OPPORTUNITY No. 289-2013