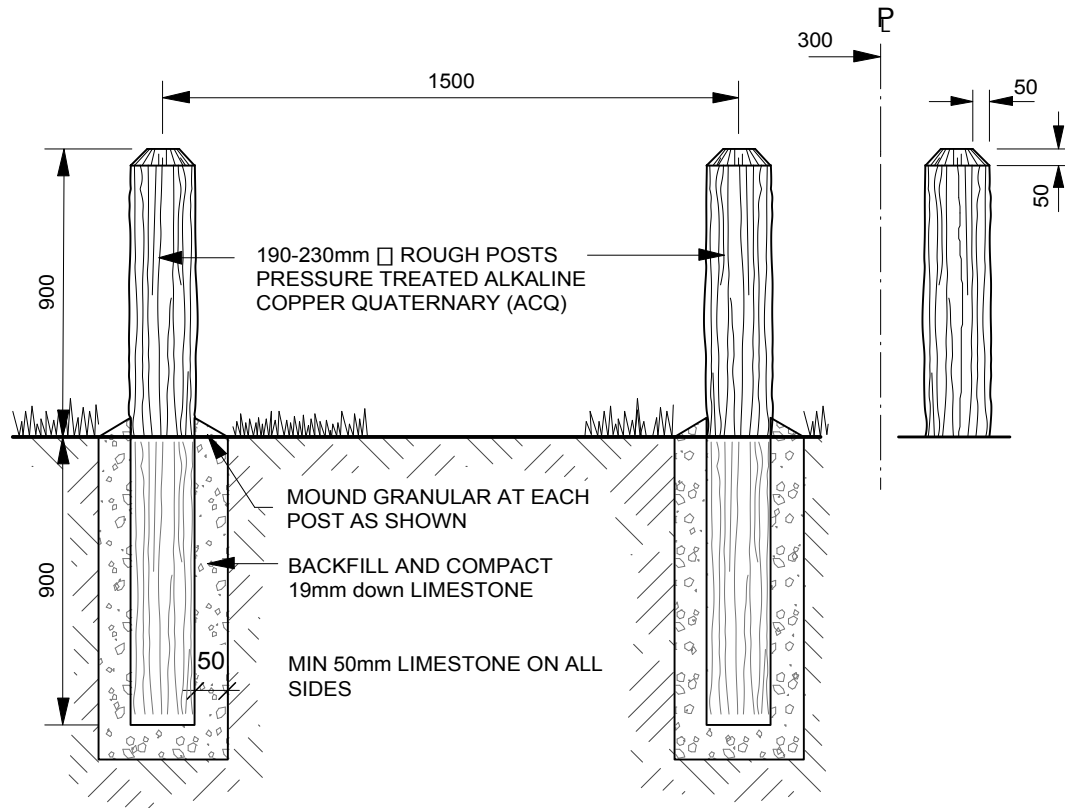


Drawing Title:

# POST BOLLARD

Drawing No:

## SCD-105B



### NOTE :

- ALL POSTS THOROUGHLY TAMPED AND GRANULAR MOUNDED AT EACH POST FOR FUTURE SETTLING AND DRAINAGE AWAY FROM POST. SURPLUS EARTH TO BE LEGALLY DISPOSED OF.
- FENCE POSTS ARE TO FOLLOW THE NATURAL CONTOUR OF THE LAND EXCEPT FOR SMALL UNDULATIONS WHICH WOULD TEND TO REDUCE THE AESTHETIC APPEARANCE OF THE FINISHED PROJECT.

DIMENSIONS SHOWN ARE IN MILLIMETRES UNLESS OTHERWISE SPECIFIED

REVISION: 2  
DATE: December 20, 2012  
SCALE: N.T.S.  
DRAWN BY: SP

The City of Winnipeg  
Planning, Property and Development Department  
Planning and Land Use Division  
Unit 15 - 30 Fort Street, Winnipeg, MB, R3C 4X5

