

PRODUCT #:

SILVER POWDERCOATED -
(Metal suitably cleaned to remove any grease, wax etc. for proper paint bonding to occur. Base coat Zinc rich primer. Baked with a final thickness of paint between 5-8 mil - # 52501051

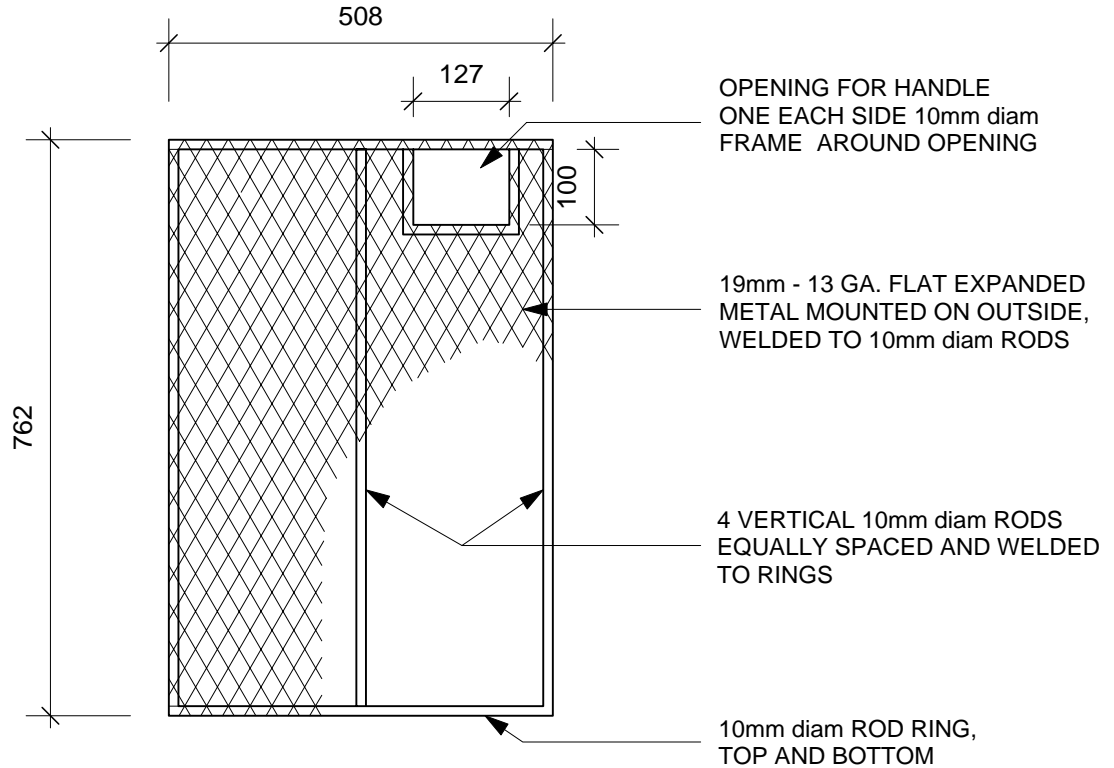
Galvanized Finish: #
52501051GLV

Drawing Title:

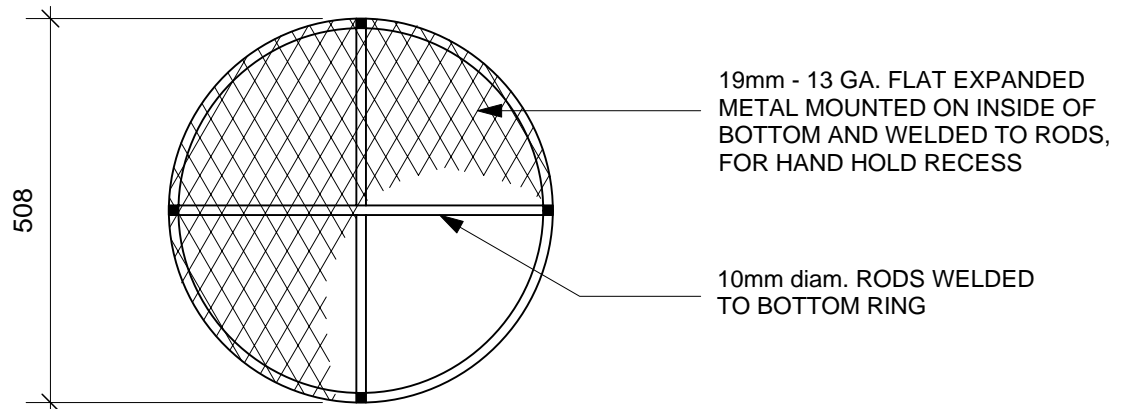
**WASTE RECEPTACLE
EXPANDED METAL BASKET**

Drawing No:

SCD-106



SIDE VIEW



BOTTOM VIEW

DIMENSIONS SHOWN ARE IN MILLIMETRES UNLESS OTHERWISE SPECIFIED

REVISION: 1
DATE: January 12, 2012
SCALE: N.T.S.
DRAWN BY: SP

The City of Winnipeg
Planning, Property and Development Department
Planning and Land Use Division
Unit 15 - 30 Fort Street, Winnipeg, MB, R3C 4X5

