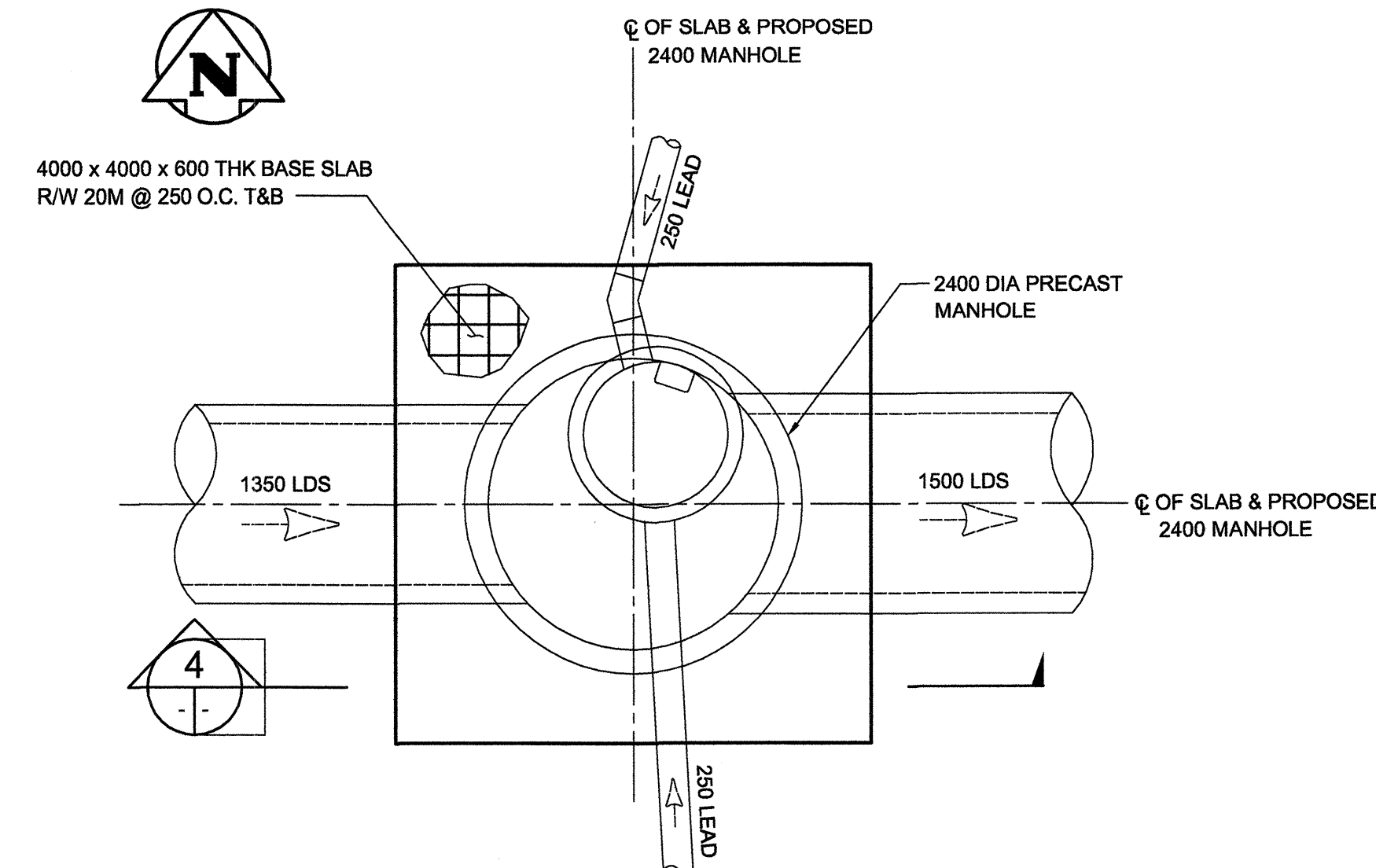
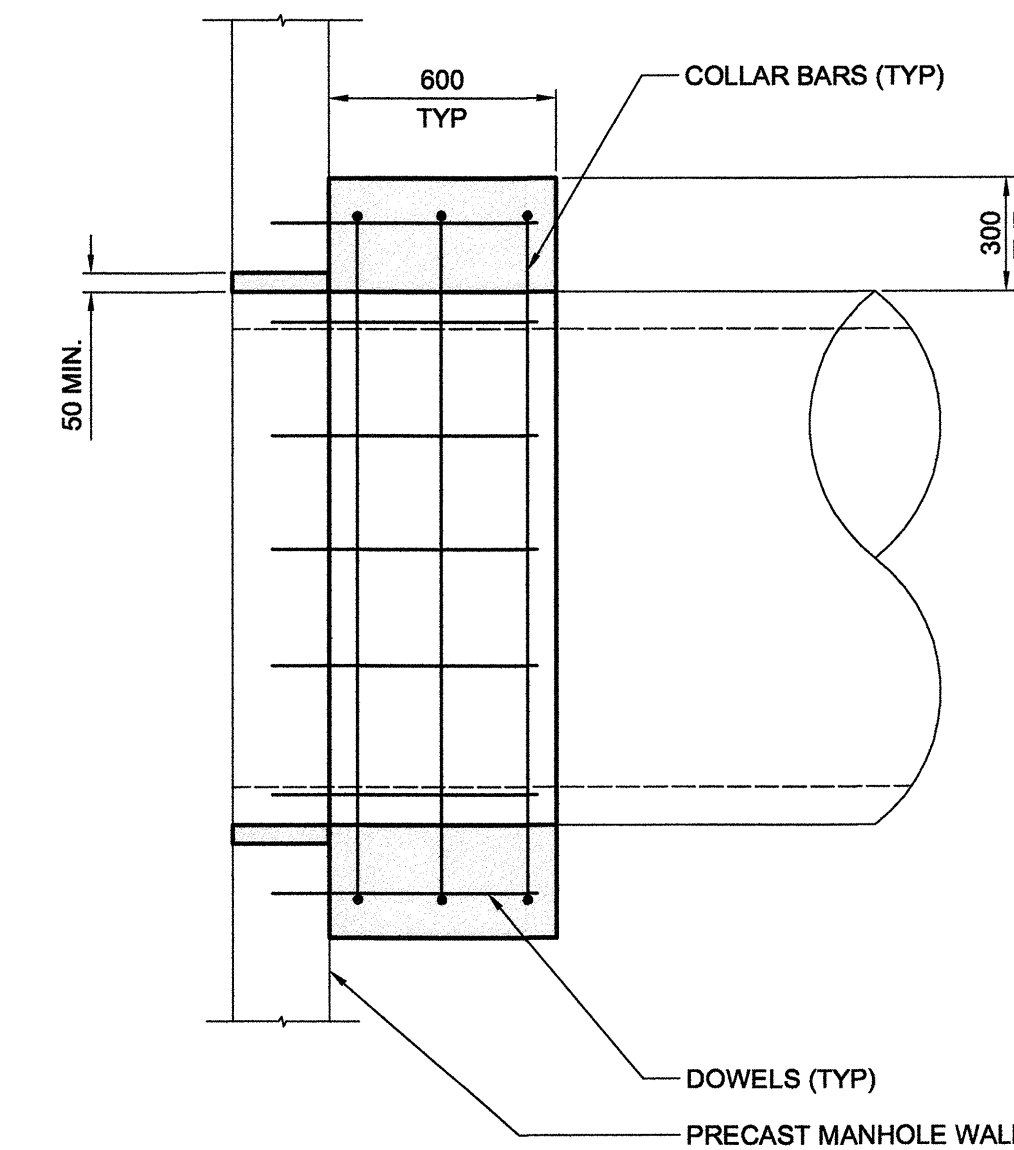
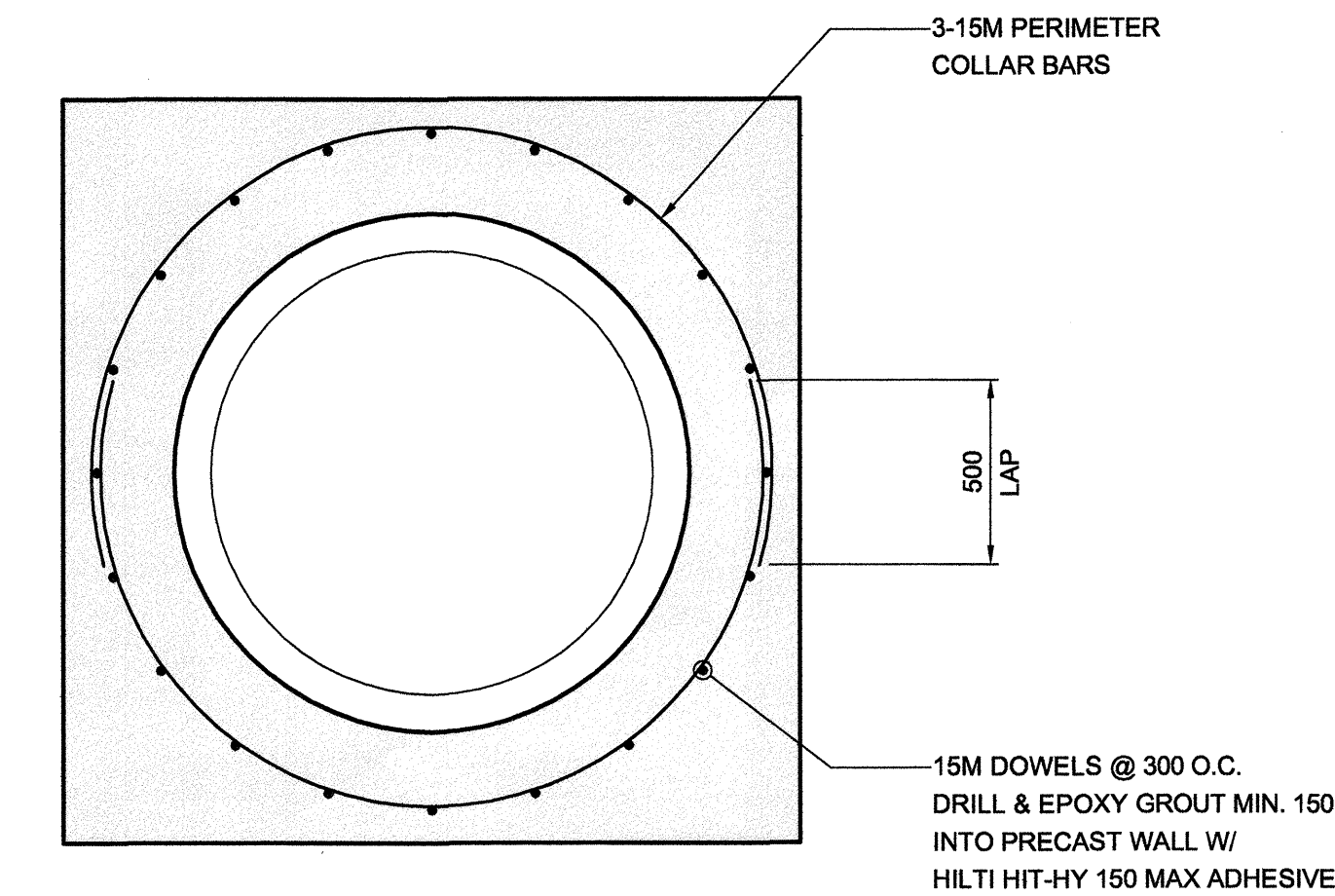


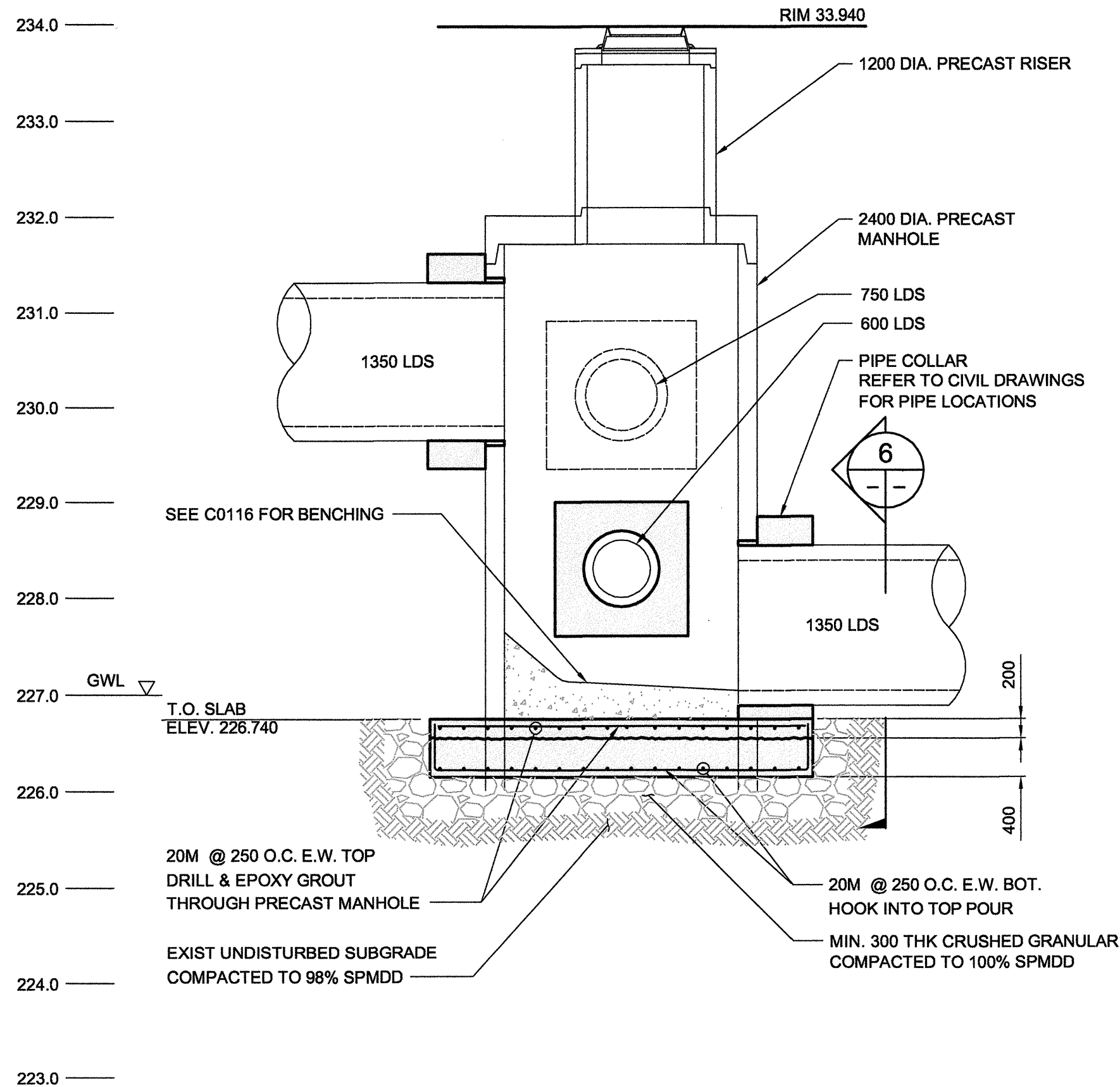
1
MH S104
PRECAST MANHOLE - PLAN
1:50



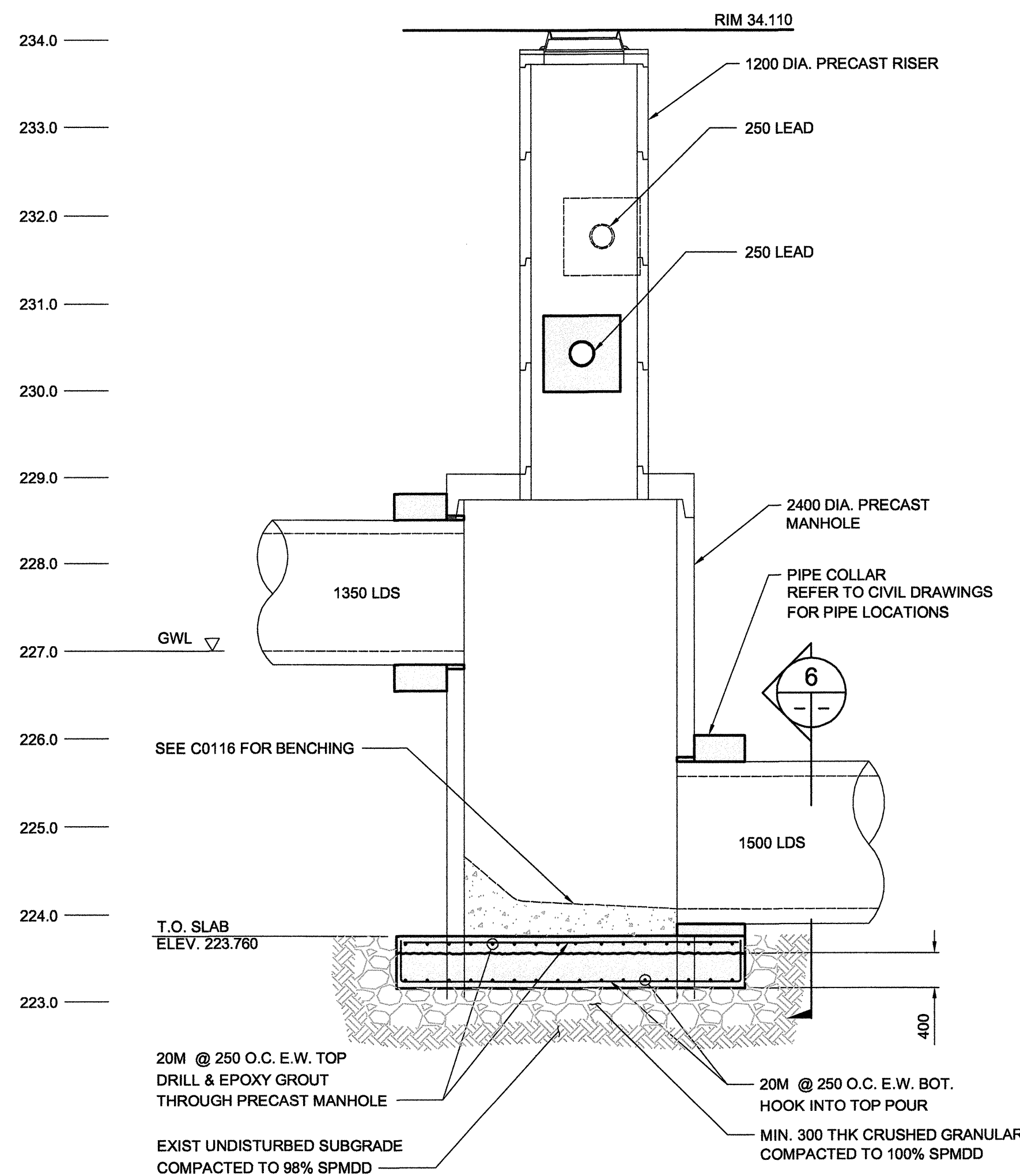
2
MH S105
PRECAST MANHOLE - PLAN
1:50



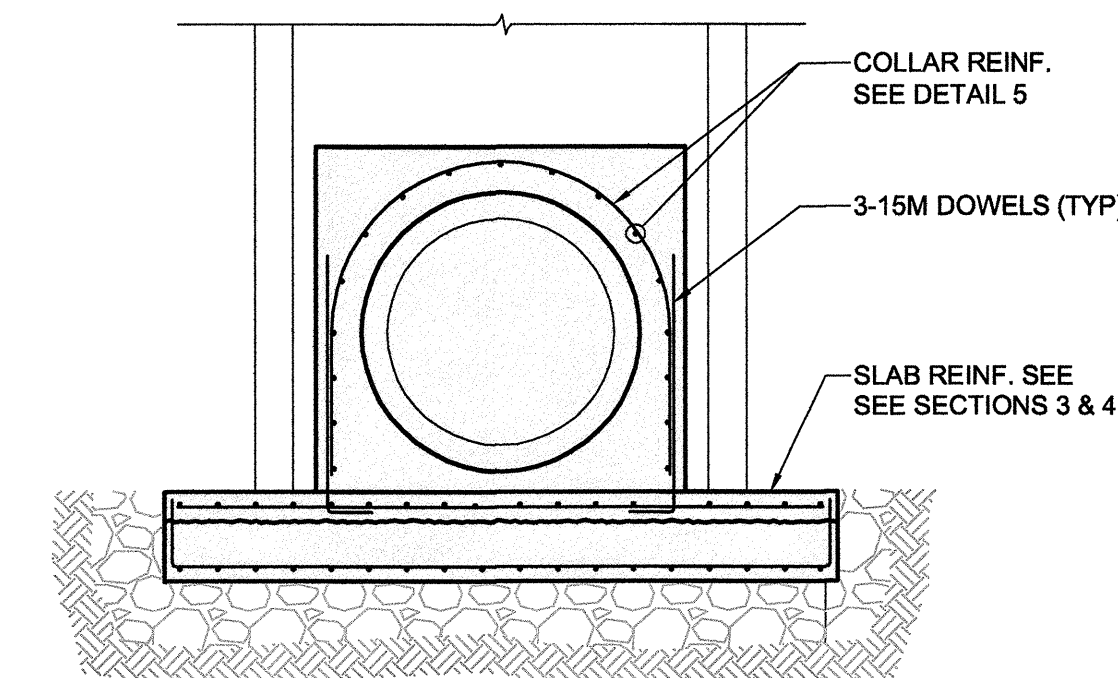
5
TYPICAL COLLAR DETAILS
1:20
NOTE: SEE CIVIL DRAWING C0116 FOR PIPE DIAMETERS AND LOCATIONS



3
MH S104
BASE SLAB REINFORCING DETAIL
1:50



4
MH S105
BASE SLAB REINFORCING DETAIL
1:50



6
COLLAR DETAIL AT BASE
1:50

BID OPPORTUNITY No. 425-2013

B.M. ELEV.		TETRA TECH				THE CITY OF WINNIPEG WATER AND WASTE DEPARTMENT	FERRY ROAD AND RIVERBEND COMBINED SEWER RELIEF WORKS CONTRACT 1 MH S104 & S105 BASE SLAB & COLLAR DETAILS	CITY DRAWING NUMBER LD-7122 SHEET 18 OF 26
DESIGNED BY	CM	CHECKED BY						
DRAWN BY	HA	APPROVED BY		CONSULTANT DRAWING NO. 1000120300-DWG-S0118				S0118
01 ISSUED FOR TENDER	13.05.13	CM						
00 ISSUED FOR APPROVAL	13.05.10	BLM						
NO REVISIONS	DATE	BY	DATE	12.12.13				