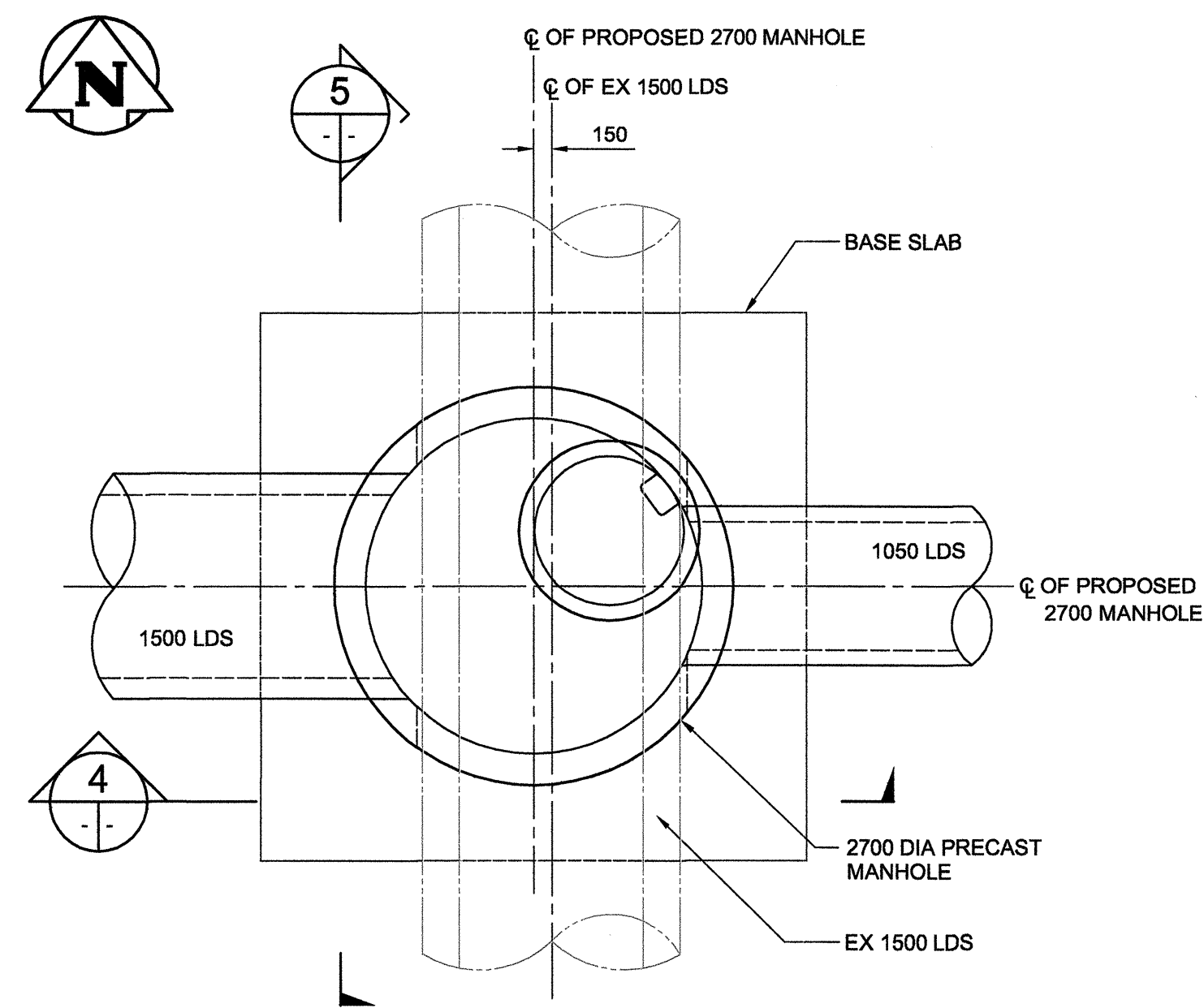
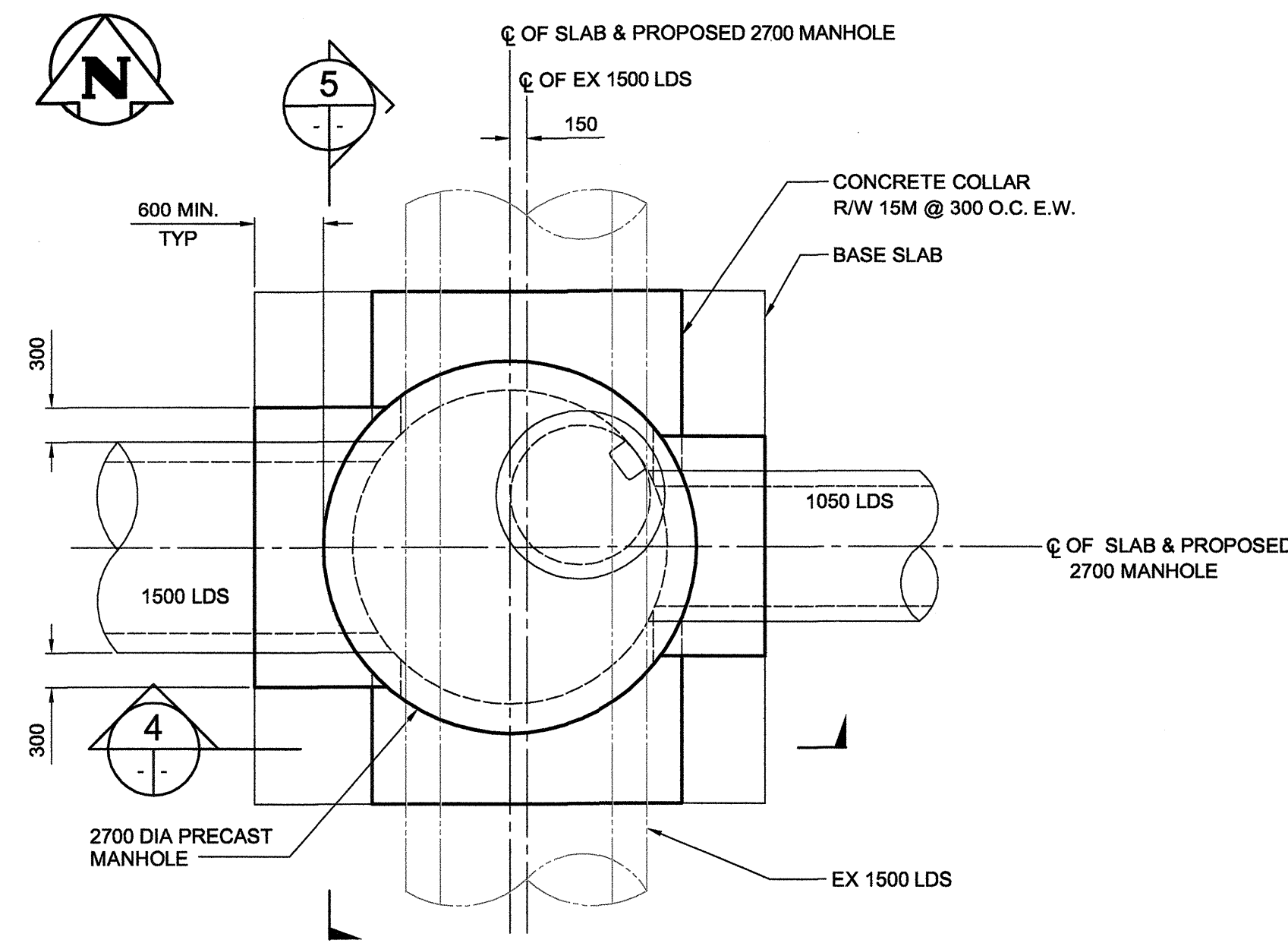


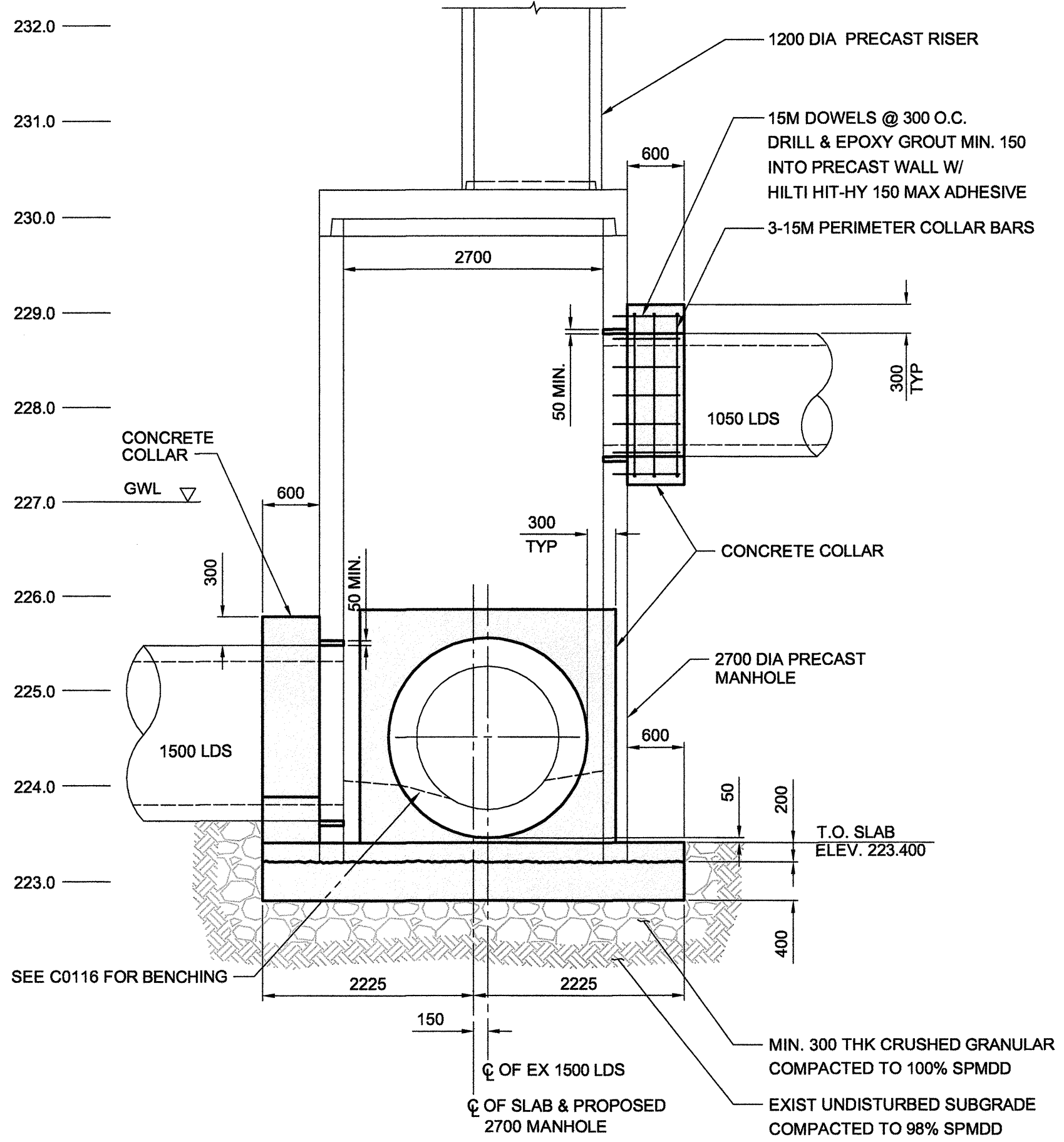
1 CONCRETE SLAB - PLAN
1:50



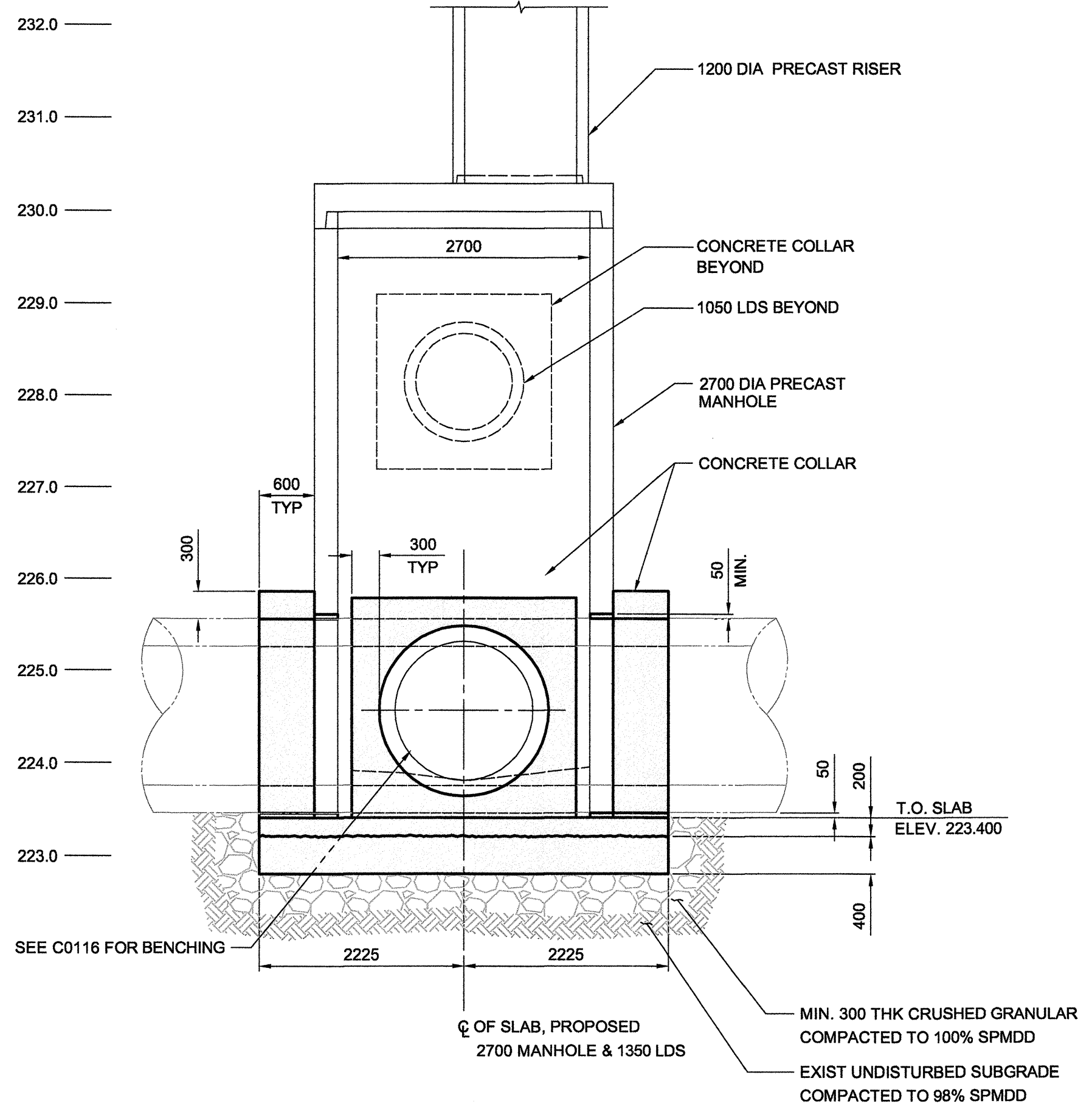
2 PRECAST MANHOLE - PLAN
1:50



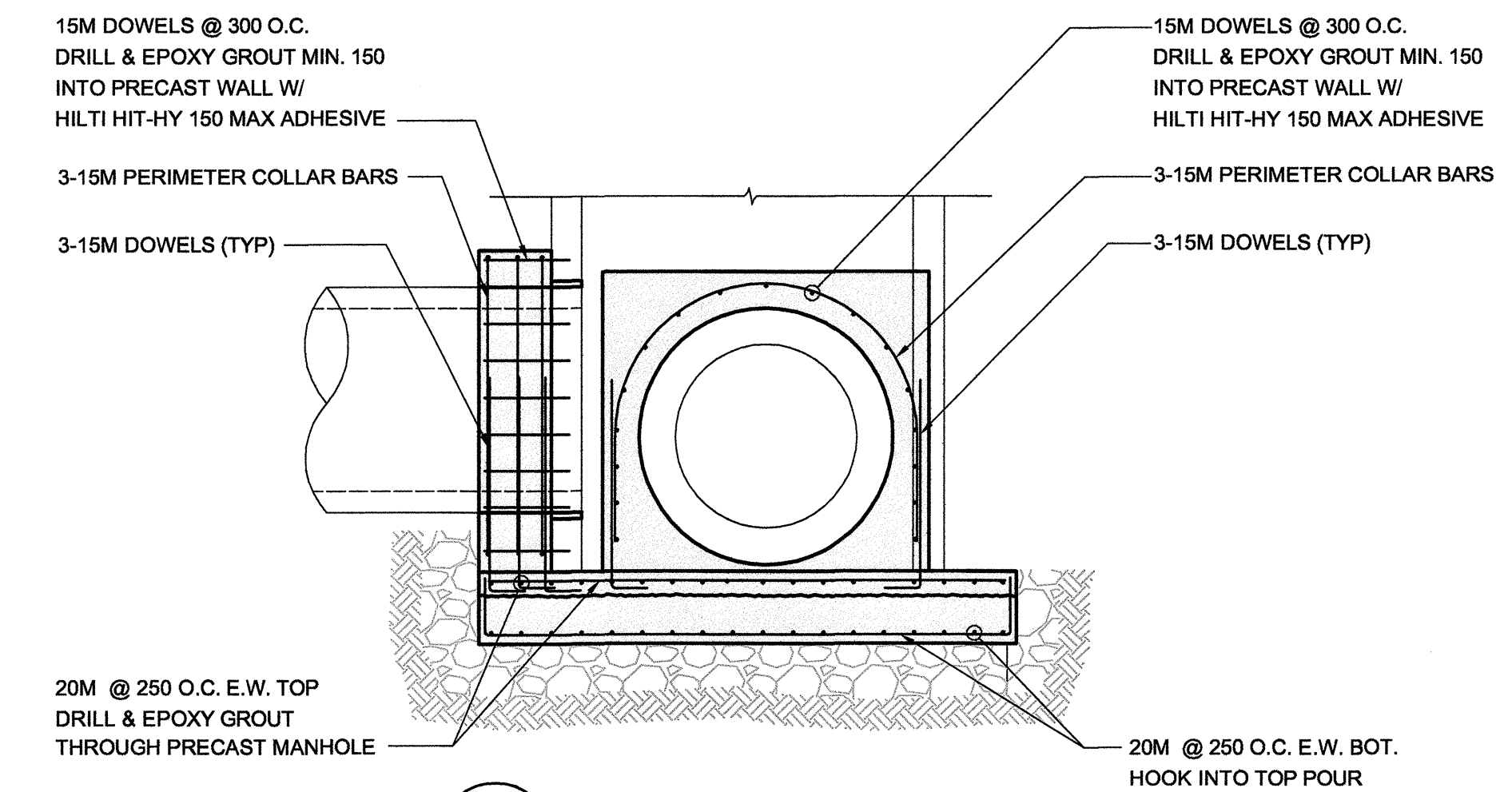
3 CONCRETE COLLAR - PLAN
1:50



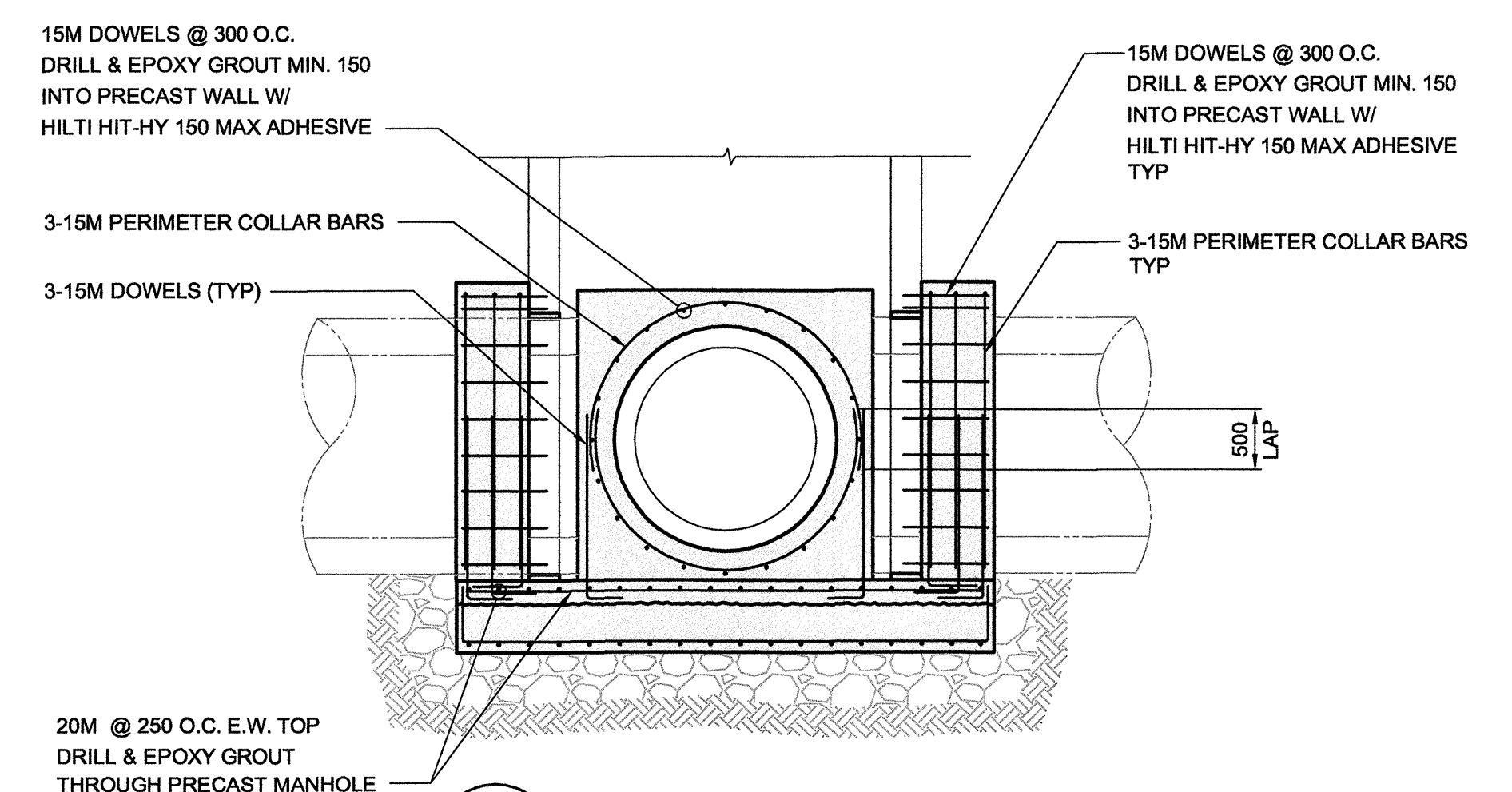
4 SECTION
1:50



5 SECTION
1:50



6 REINFORCING DETAIL
1:50



7 REINFORCING DETAIL
1:50

BID OPPORTUNITY No. 425-2013

DESIGNED BY: CM DRAWN BY: HA		CHECKED BY: APPROVED BY:		FERRY ROAD AND RIVERBEND COMBINED SEWER RELIEF WORKS CONTRACT 1 MH S106 BASE SLAB & COLLAR DETAILS	
01 ISSUED FOR TENDER 13.05.13 00 ISSUED FOR APPROVAL 13.05.10		HOR. SCALE: AS NOTED VERTICAL:		CITY DRAWING NUMBER: LD-7123 SHEET: 19 OF 26 S0119	
NO. REVISIONS		DATE BY		CONSULTANT DRAWING NO. 1000120300-DWG-S0119	