

LOCATION PLAN
1:250

ST. VITAL BRIDGE GENERAL NOTES:

REINFORCING STEEL:

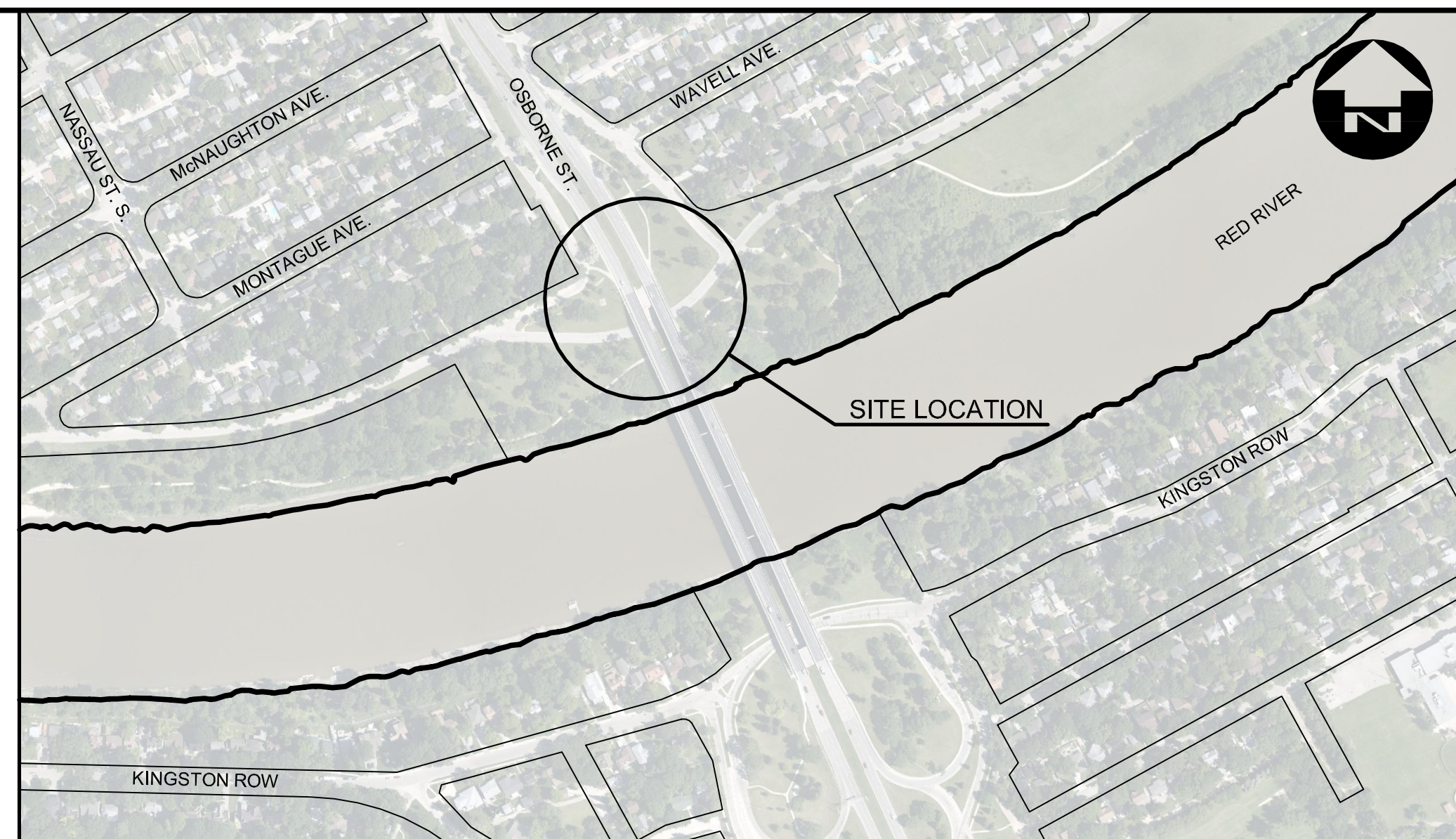
- CSA G30.18 GR. 400W
- HOT DIP GALVANIZED IN ACCORDANCE WITH ASTM A767, CLASS 11
- MINIMUM BEND DIAMETER: 6D
- MINIMUM LAP LENGTH: 600mm

CONCRETE:

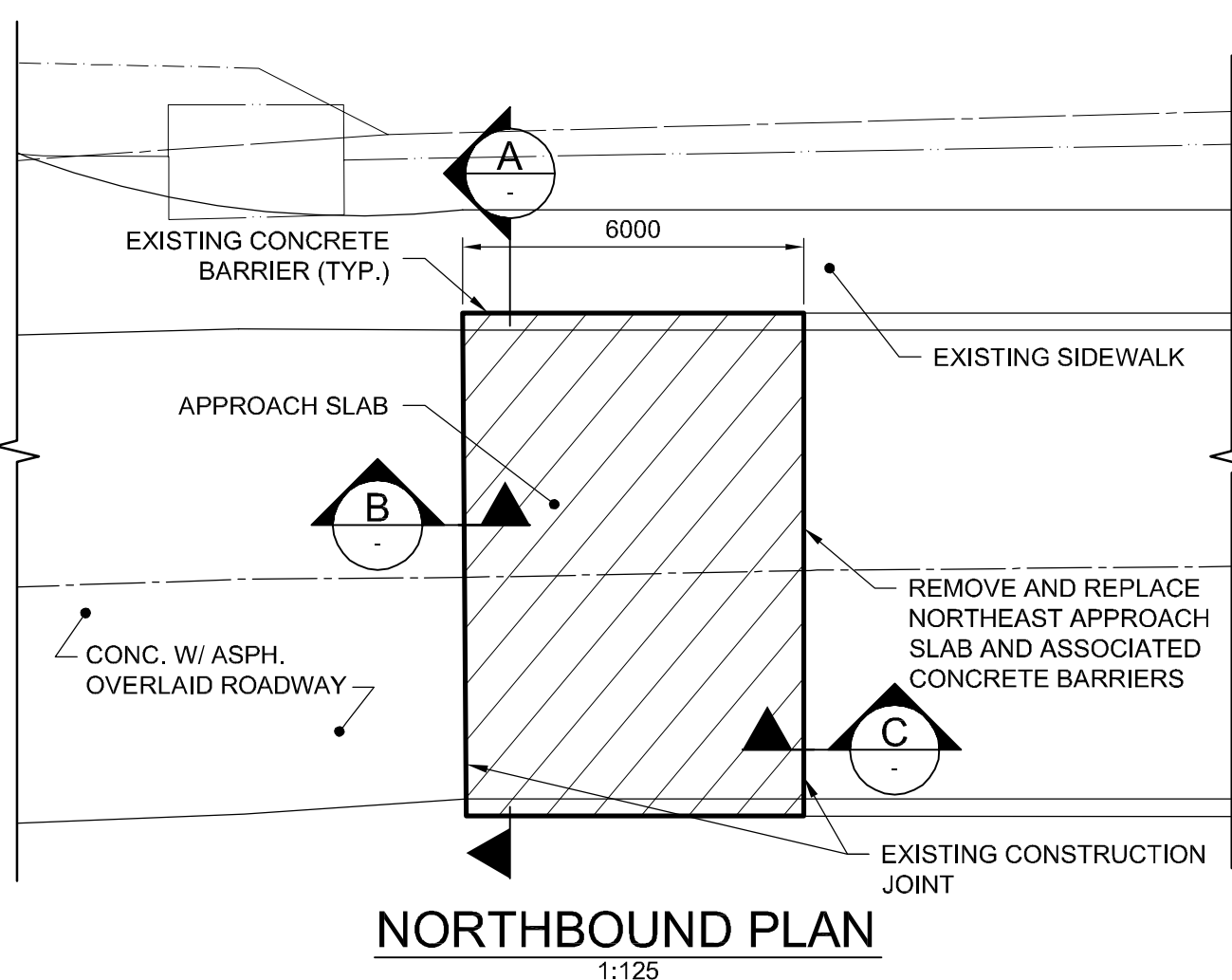
- PROPORTION OF FINE AGGREGATE, COARSE AGGREGATE, CEMENT, WATER, AND AIR ENTRAINING AGENT SHALL BE SUCH AS TO YIELD CONCRETE HAVING THE REQUIRED STRENGTH AND WORKABILITY AS FOLLOWS:
- CLASS OF EXPOSURE: C-1
 - MINIMUM COMPRESSIVE STRENGTH AT 28 DAYS: 35MPa
 - MAXIMUM WATER/CEMENT RATIO: 0.40
 - AIR CONTENT: CATEGORY 2 PER TABLE 4 OF CSA A23.1-09 (4-7%)
 - CEMENT AS SPECIFIED IN THE SPECIFICATIONS
 - FIBER REINFORCED (SYNTHETIC) RI = 0.15

TRAFFIC CONTROL:

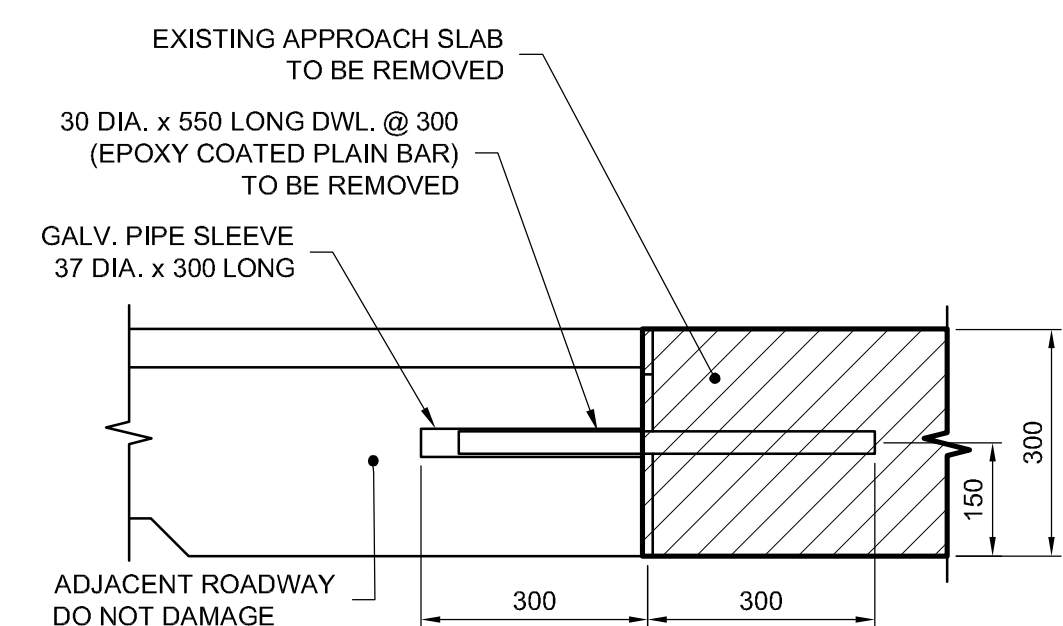
MAINTAIN ONE LANE OF TRAFFIC IN EACH DIRECTION AT ALL TIMES (MINIMUM 3.5m). LANE CLOSURES ARE NOT PERMITTED PRIOR TO JULY 1, 2013. ALL ST. VITAL BRIDGE WORK MUST BE COMPLETED BY SEPTEMBER 1, 2013.



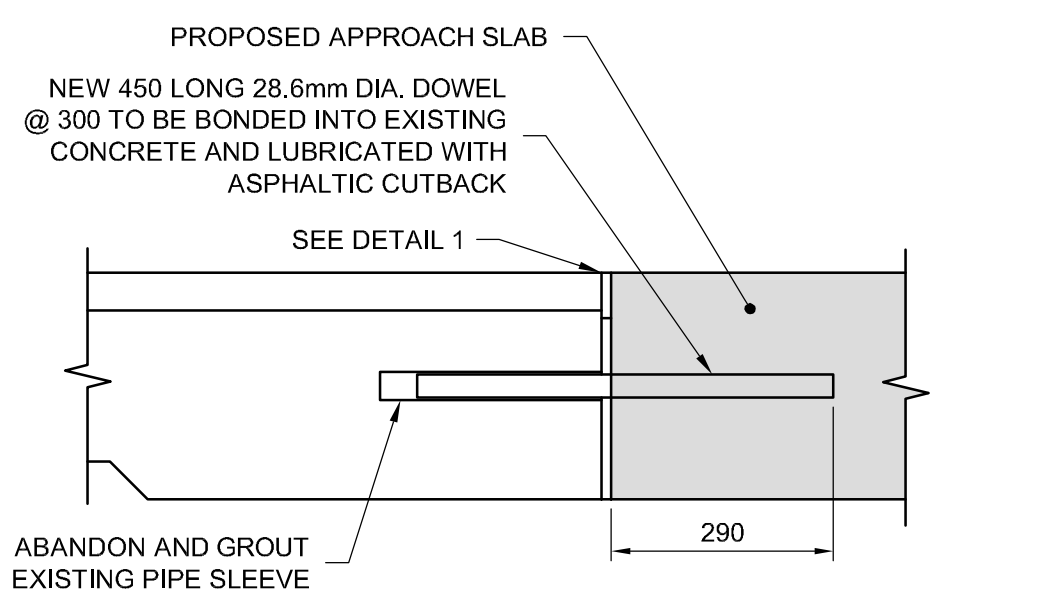
KEY PLAN
NTS



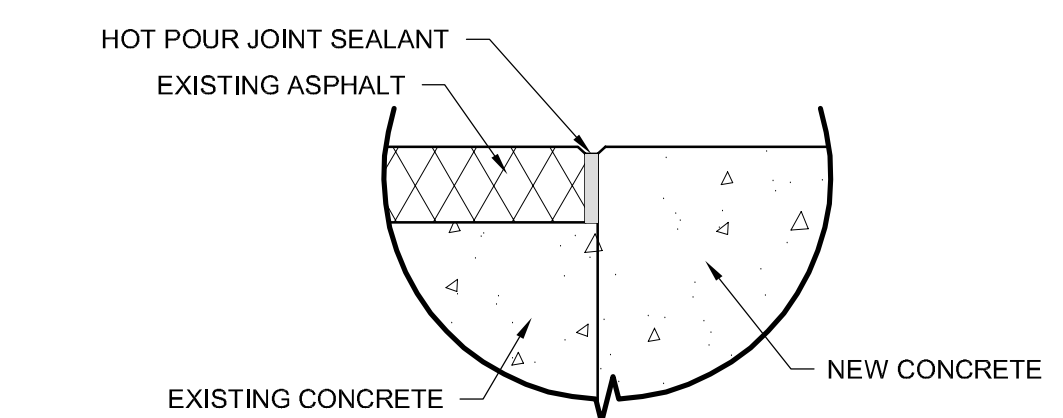
NORTHBOUND PLAN
1:125



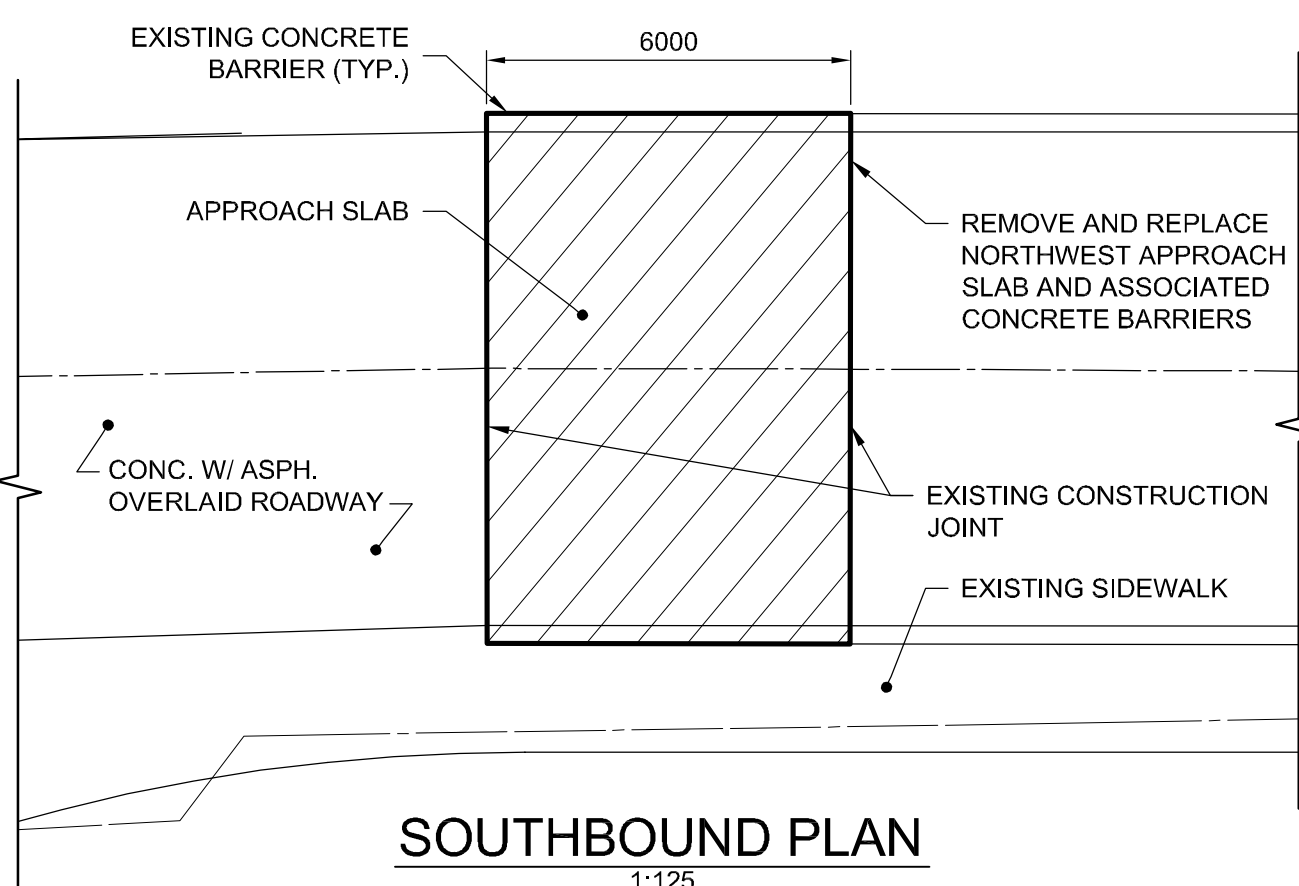
SECTION - EXISTING
1:10



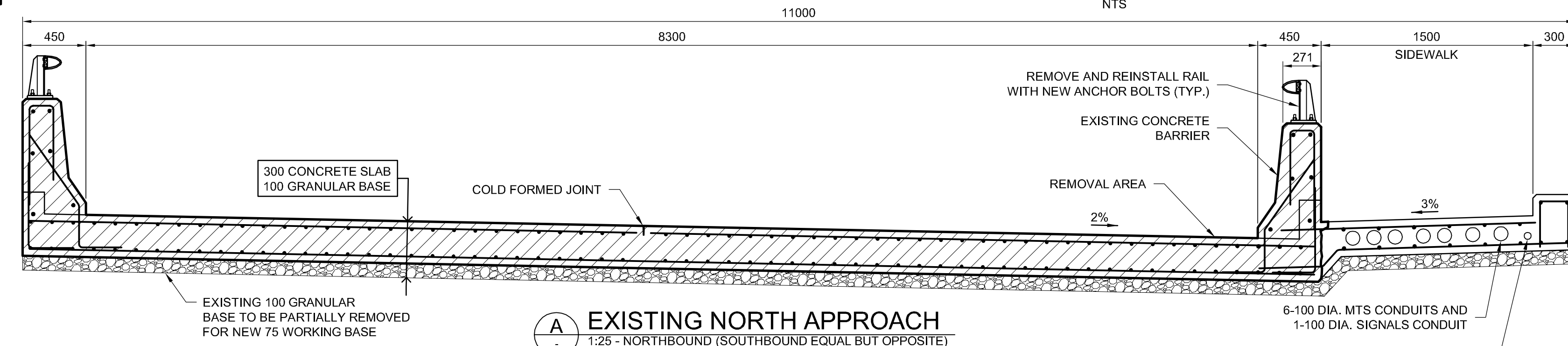
SECTION - PROPOSED
1:10



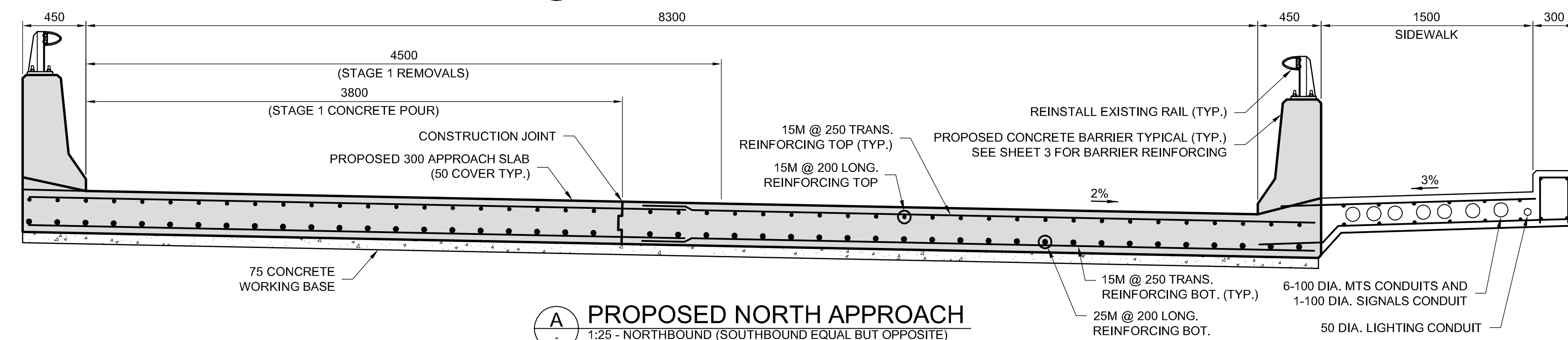
DETAIL
1:5



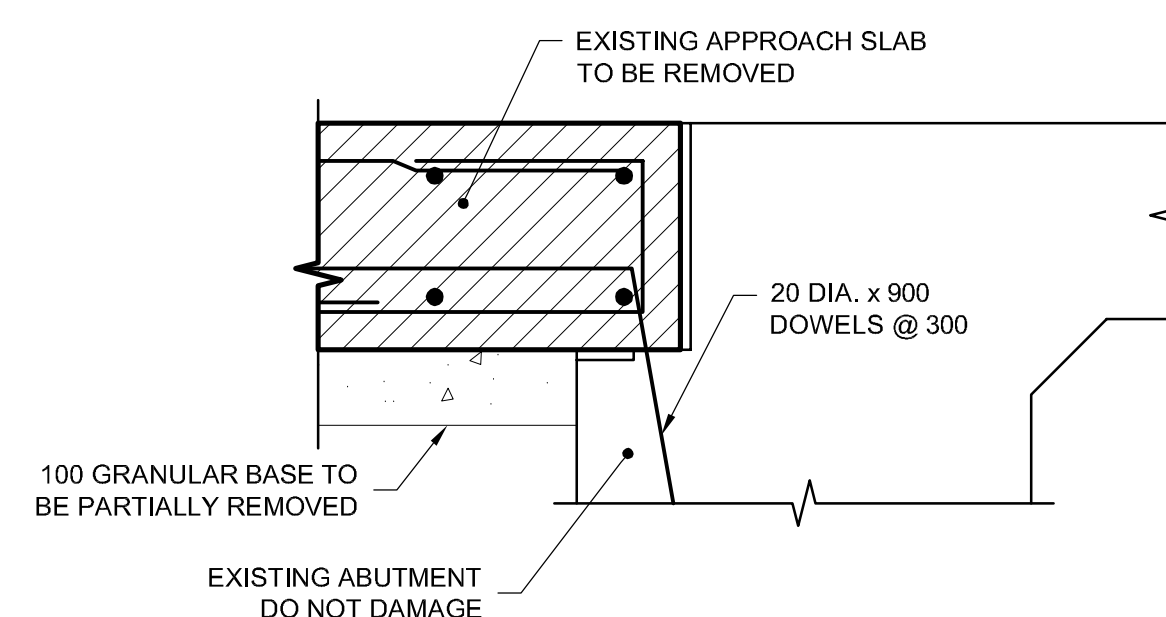
SOUTHBOUND PLAN
1:125



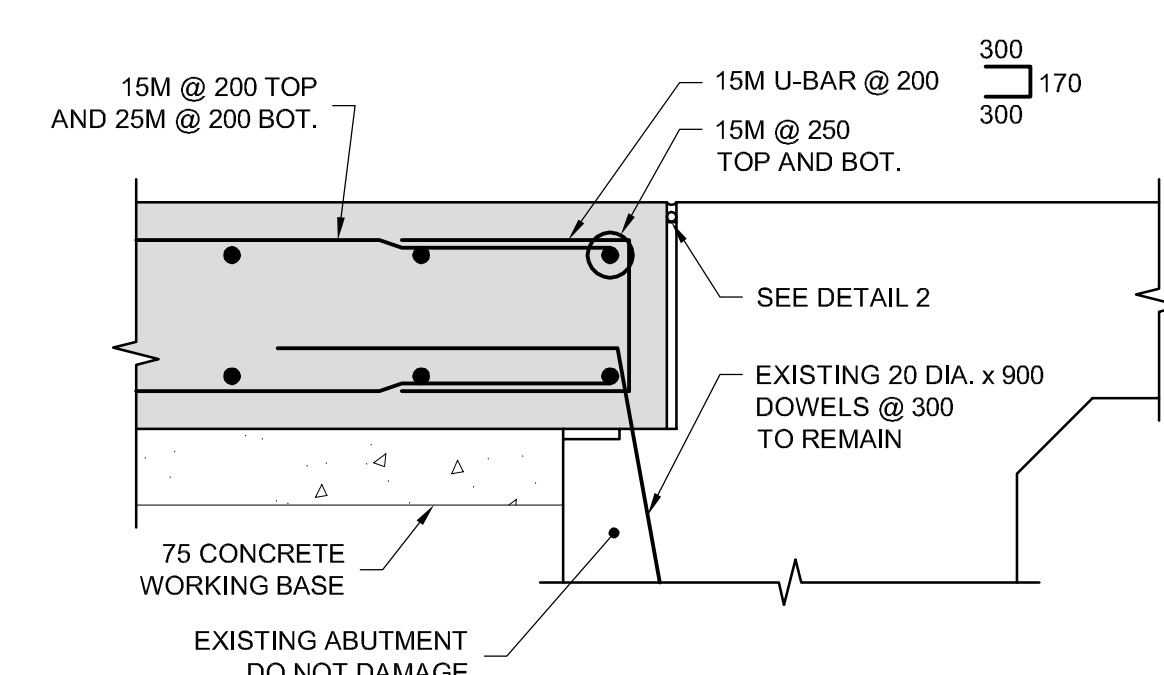
EXISTING NORTH APPROACH
1:25 - NORTHBOUND (SOUTHBOUND EQUAL BUT OPPOSITE)



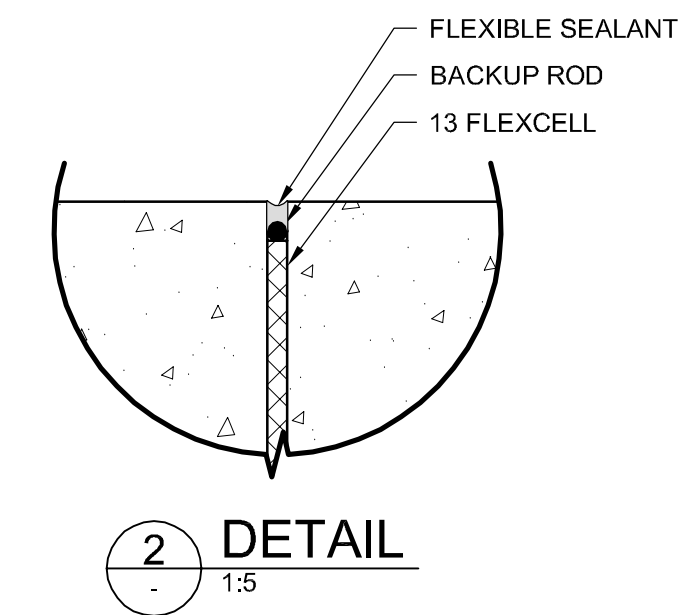
PROPOSED NORTH APPROACH
1:25 - NORTHBOUND (SOUTHBOUND EQUAL BUT OPPOSITE)



SECTION - EXISTING
1:10



SECTION - PROPOSED
1:10



DETAIL
1:5

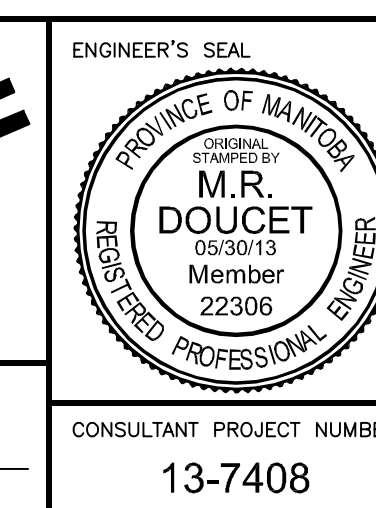
METRIC

WHOLE NUMBERS INDICATE MILLIMETRES
DECIMALIZED NUMBERS INDICATE METRES

G:\CAD\137408 - City of Winnipeg - Br. Maint\09-Structural\01-Contract\137408-09-ST. VITAL-CON.dwg



B.M. ELEV.	DESIGNED BY	JLD
	DRAWN BY	JLD
	CHECKED BY	MRD
	APPROVED BY	-
	HOR. SCALE	-
	VERTICAL	-
0 ISSUED FOR TENDER	05/30/13	MRD
NO. REVISIONS	DATE	BY
	05/30/13	



THE CITY OF WINNIPEG
PUBLIC WORKS DEPARTMENT

2013 BRIDGE MAINTENANCE PROGRAM
ST. VITAL BRIDGE

CITY DRAWING NUMBER
B116-13-01

SHEET 02 OF 05

CONSULTANT DRAWING NUMBER

2013 BRIDGE MAINTENANCE PROGRAM
ST. VITAL BRIDGE

NORTH APPROACH SLAB REMOVALS

CONSULTANT PROJECT NUMBER
13-7408