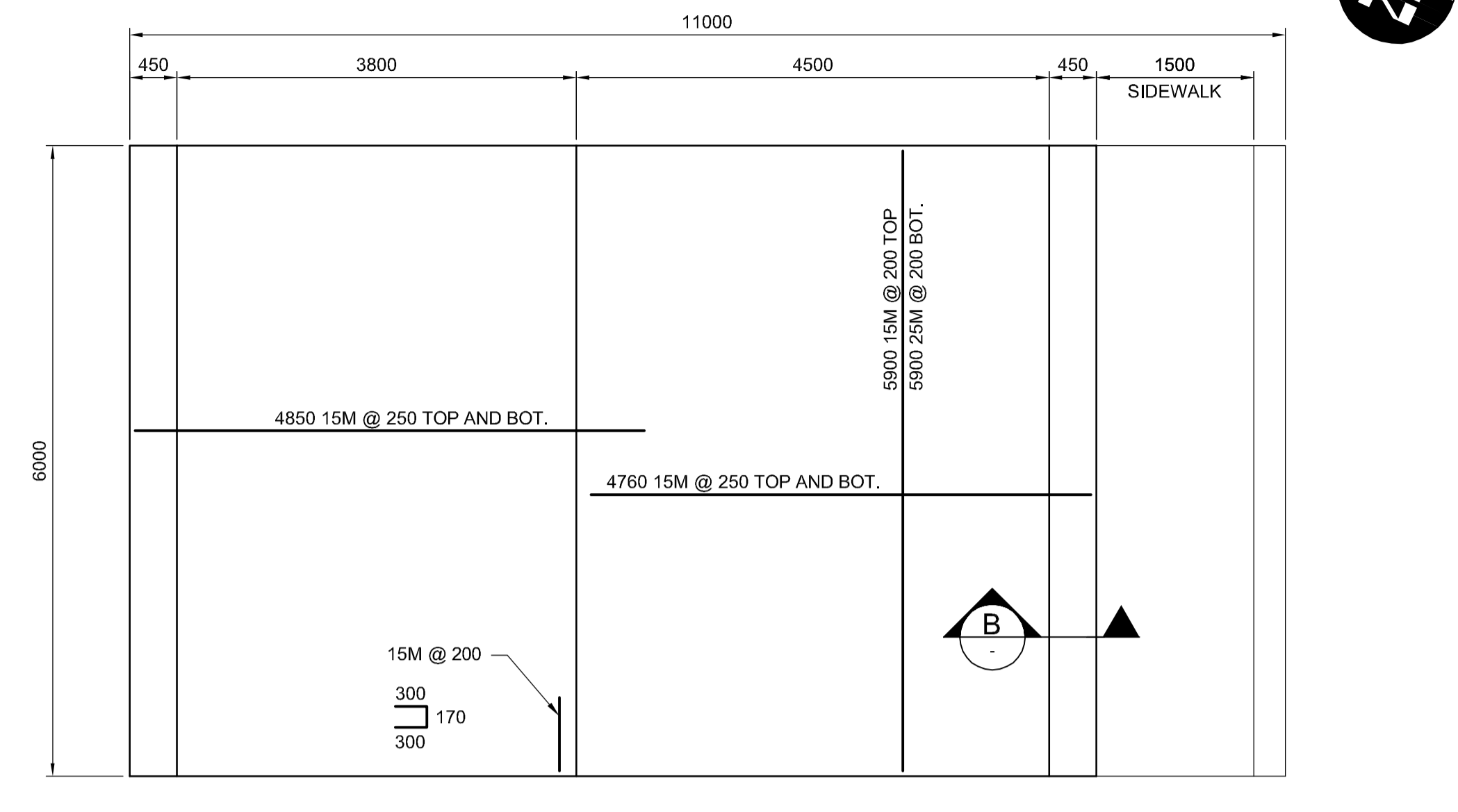
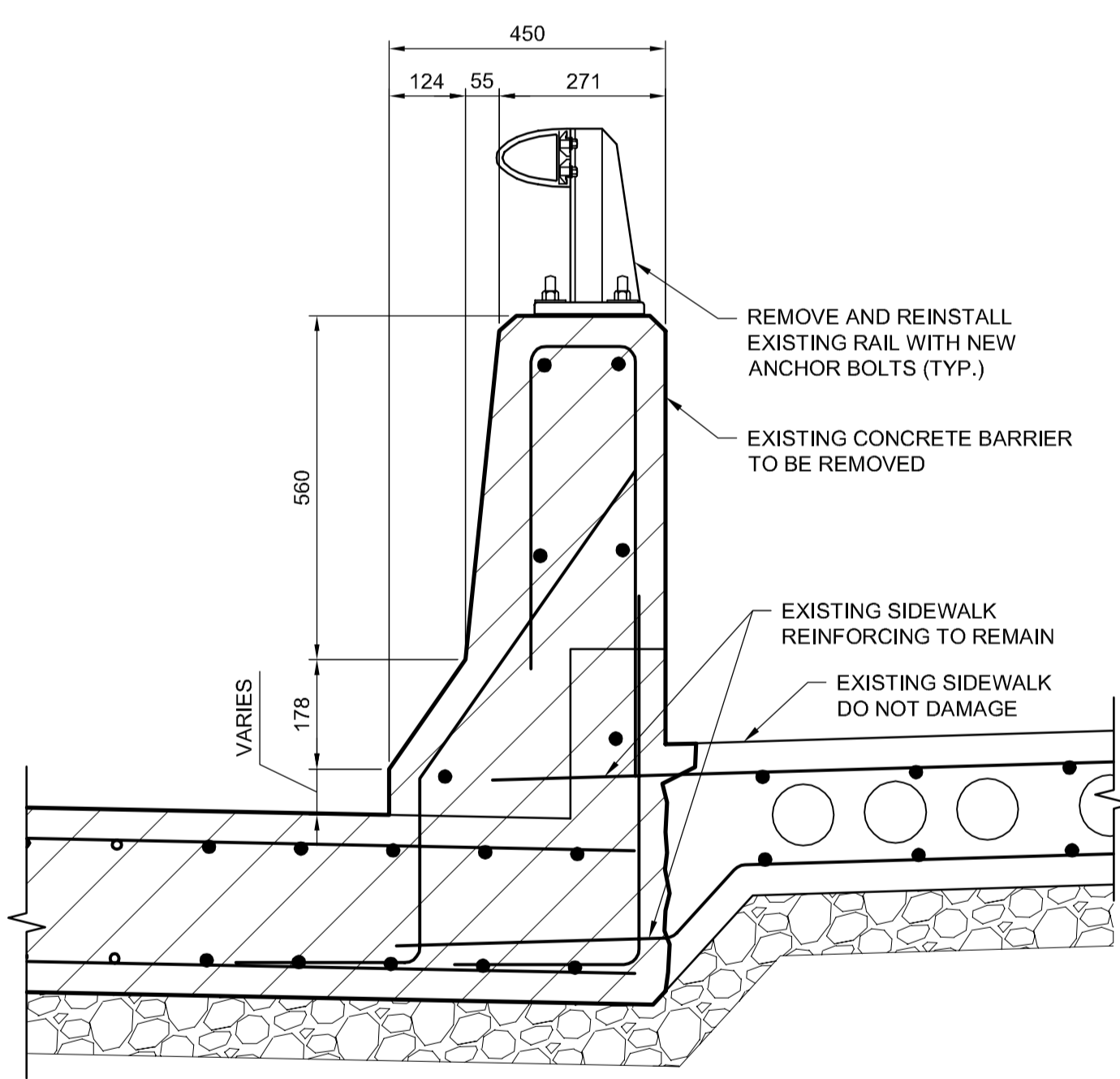


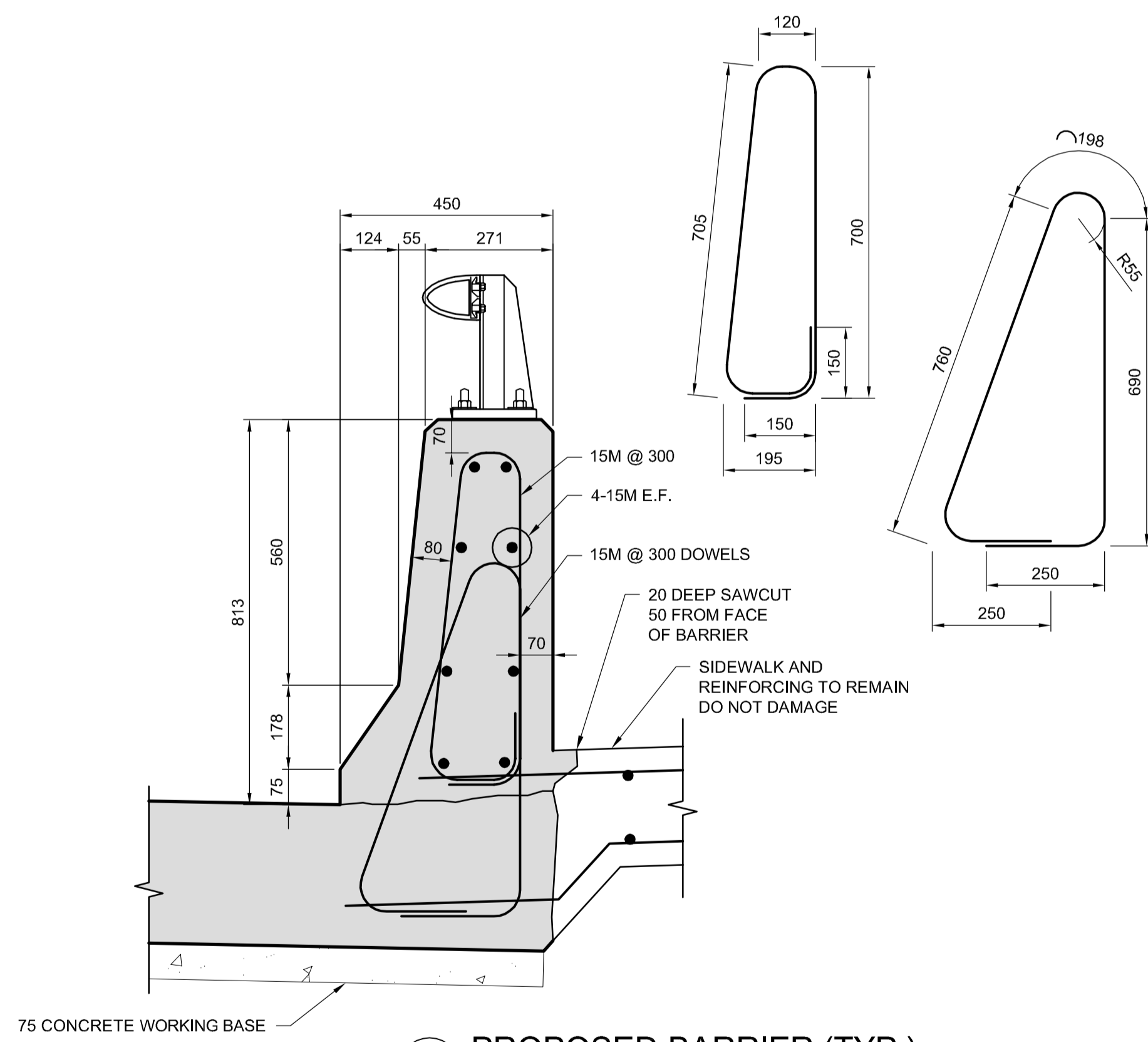
EXISTING REINFORCING PLAN
1:50 - NORTHBOUND (SOUTHBOUND EQUAL BUT OPPOSITE)



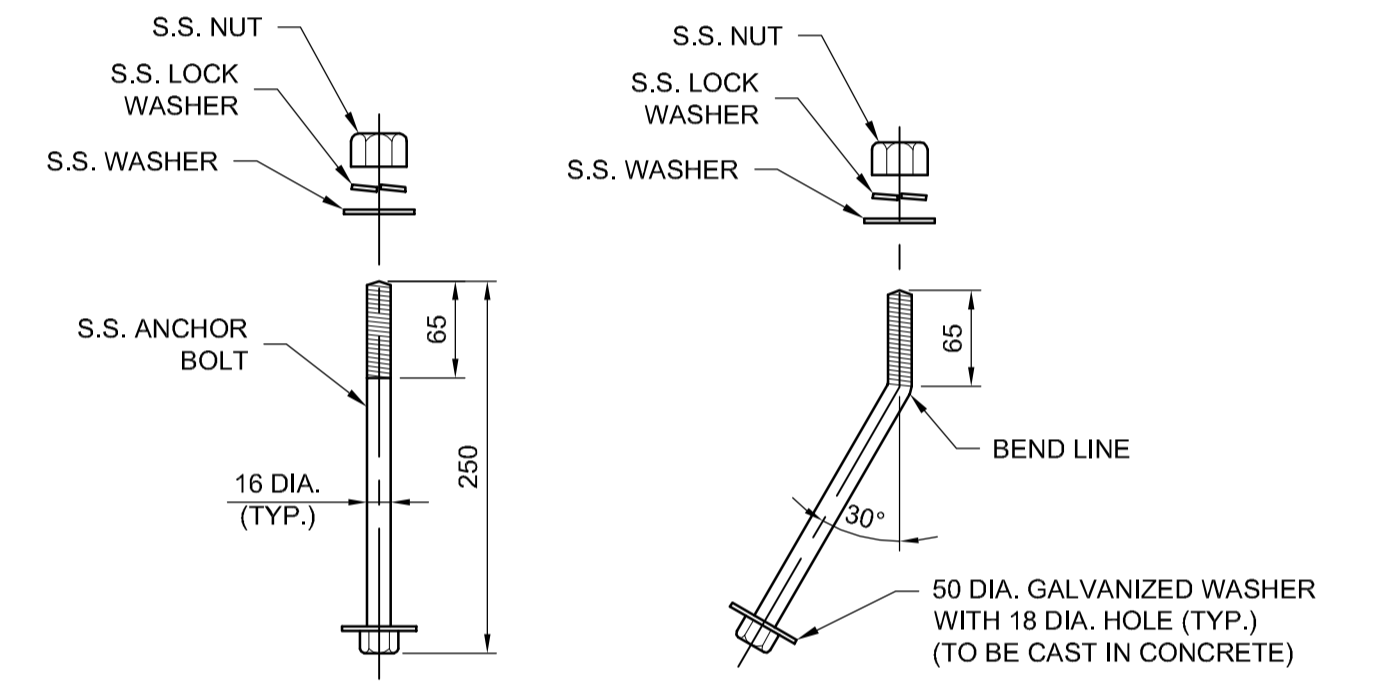
PROPOSED REINFORCING PLAN
1:50 - NORTHBOUND (SOUTHBOUND EQUAL BUT OPPOSITE)



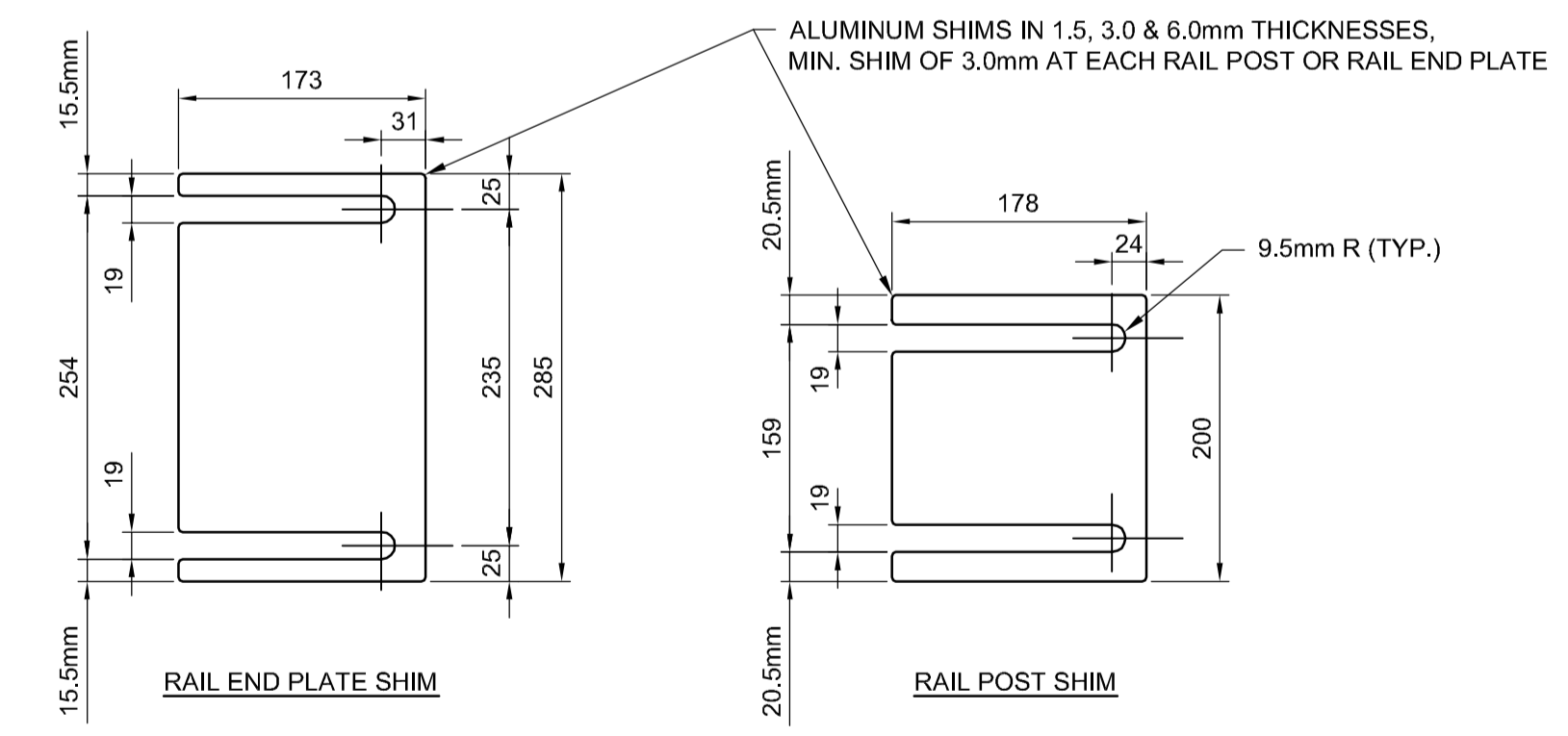
A EXISTING BARRIER (TYP.)
1:10



B PROPOSED BARRIER (TYP.)
1:10 (SLAB REINFORCING NOT SHOWN FOR CLARITY)



D BOLT DETAILS
1:5



C SHIM DETAILS
1:5

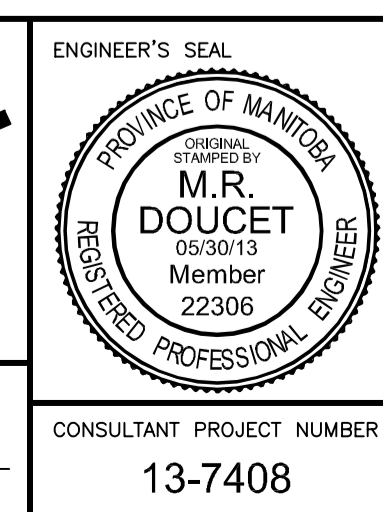
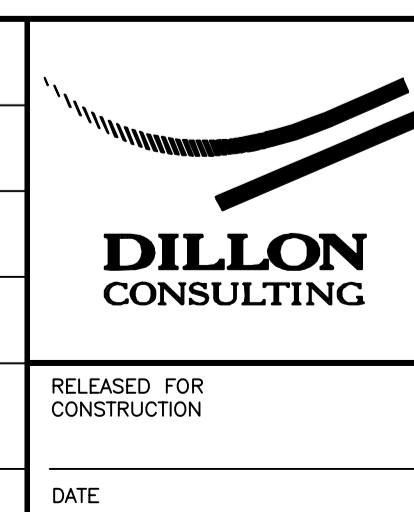
METRIC

WHOLE NUMBERS INDICATE MILLIMETRES
DECIMALIZED NUMBERS INDICATE METRES

G:\CAD\137408 - City of Winnipeg - Br. Maint\09-Structural\01-Contract\137408-09-ST_VITAL-CON.dwg



B.M. ELEV.	DESIGNED BY	JLD
	DRAWN BY	JLD
	CHECKED BY	MRD
	APPROVED BY	-
	HOR. SCALE	-
	VERTICAL	-
0 ISSUED FOR TENDER	DATE	05/30/13
NO. REVISIONS	DATE	BY
	DATE	05/30/13



<p>THE CITY OF WINNIPEG PUBLIC WORKS DEPARTMENT</p>	
<p>2013 BRIDGE MAINTENANCE PROGRAM ST. VITAL BRIDGE</p>	
CITY DRAWING NUMBER	B116-13-02
SHEET	03 OF 05
CONSULTANT DRAWING NUMBER	
<p>REINFORCING DETAILS</p>	