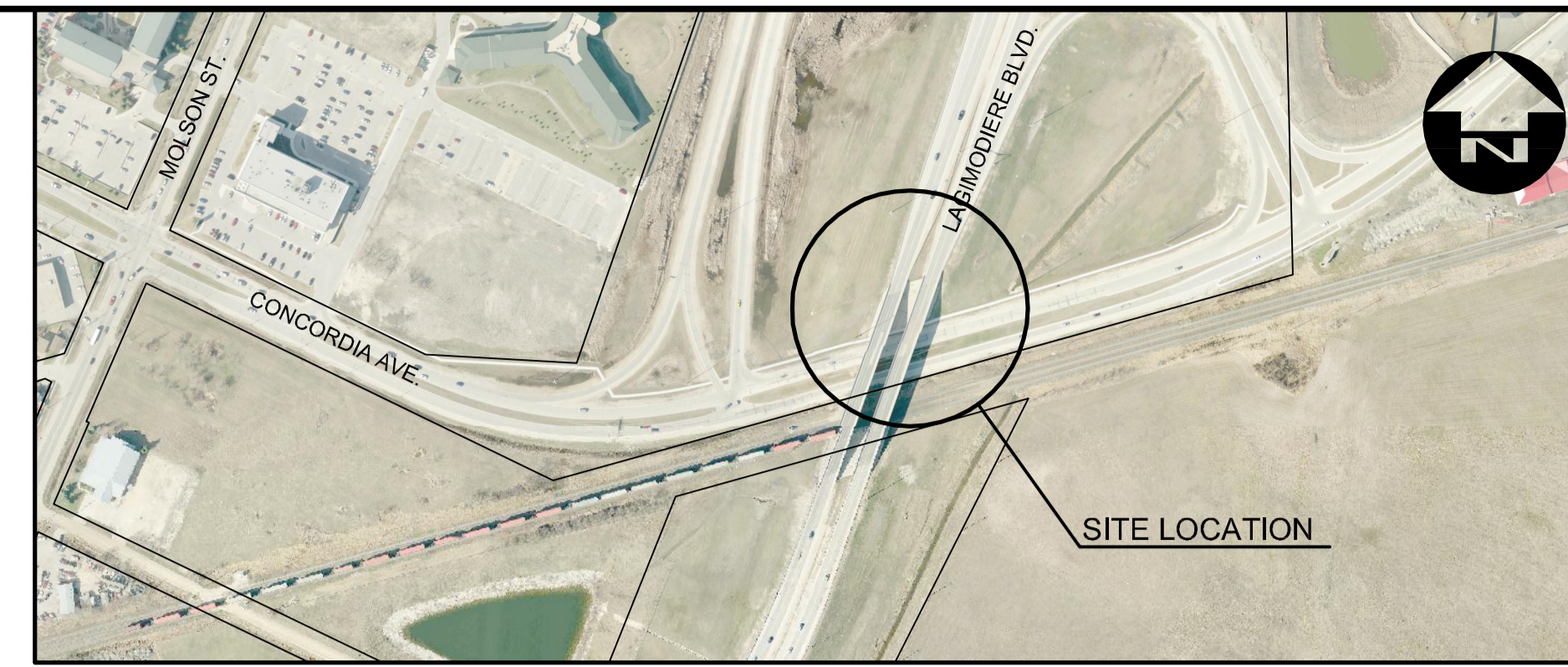
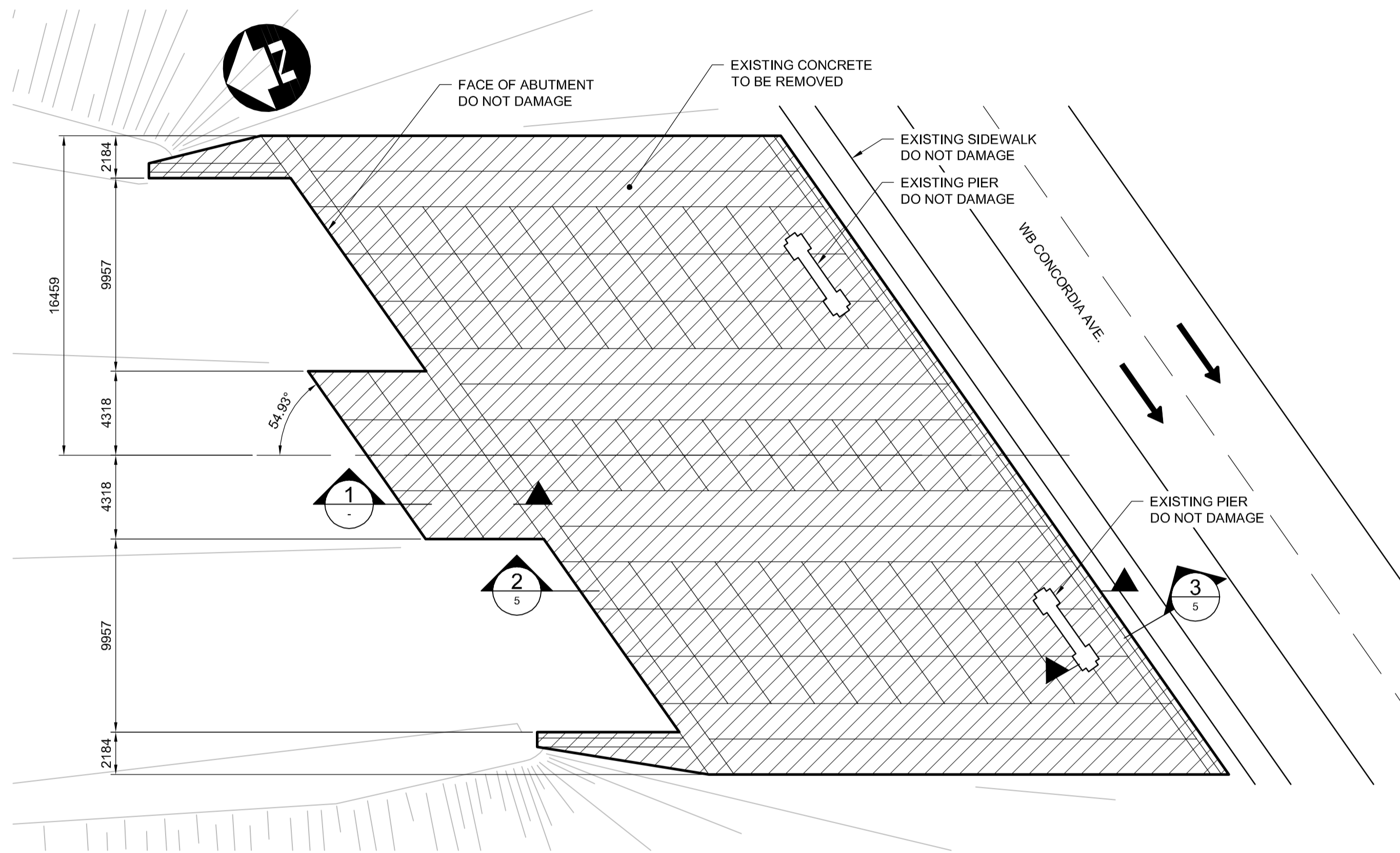


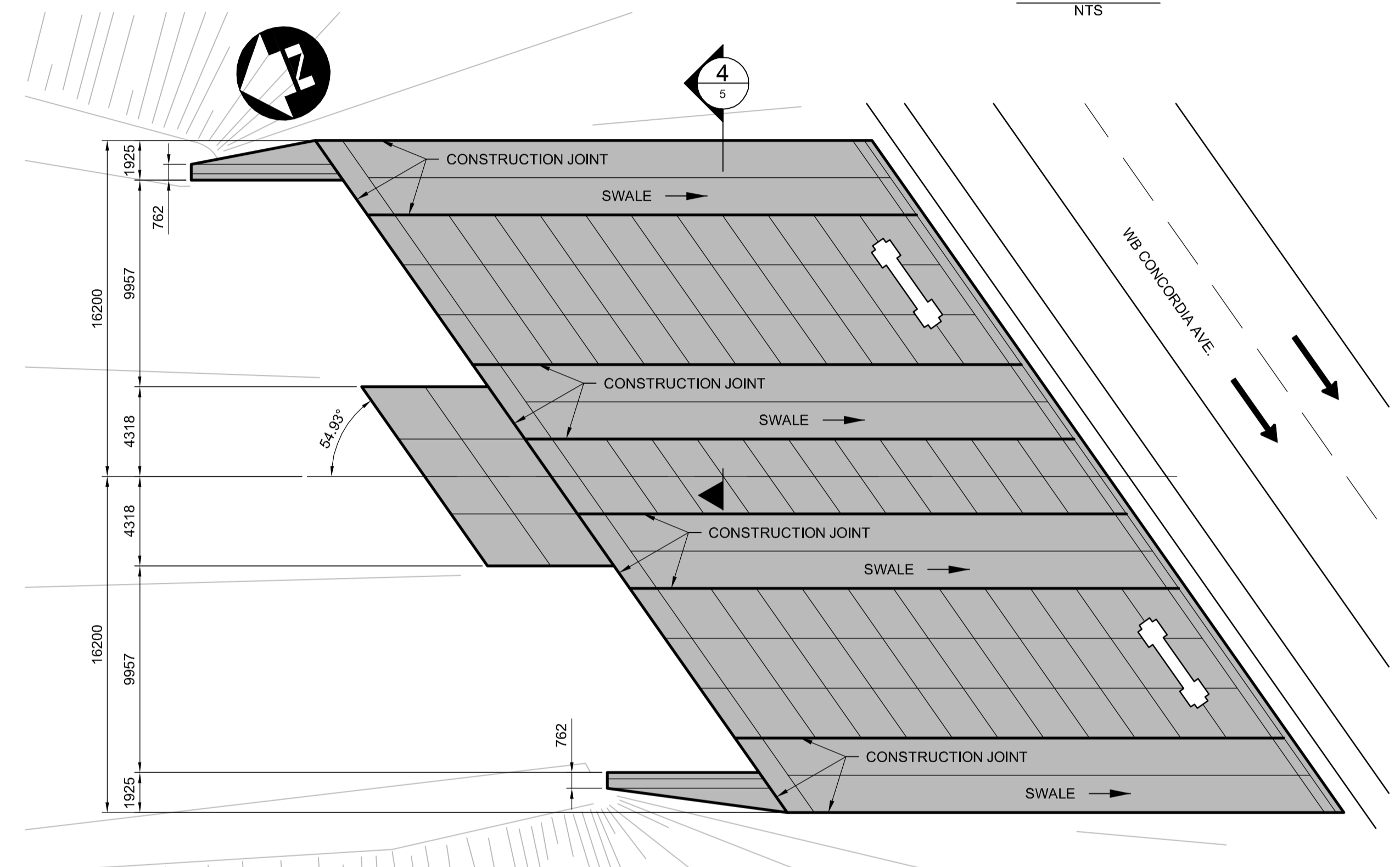
GENERAL ELEVATION - LOOKING EAST
NTS



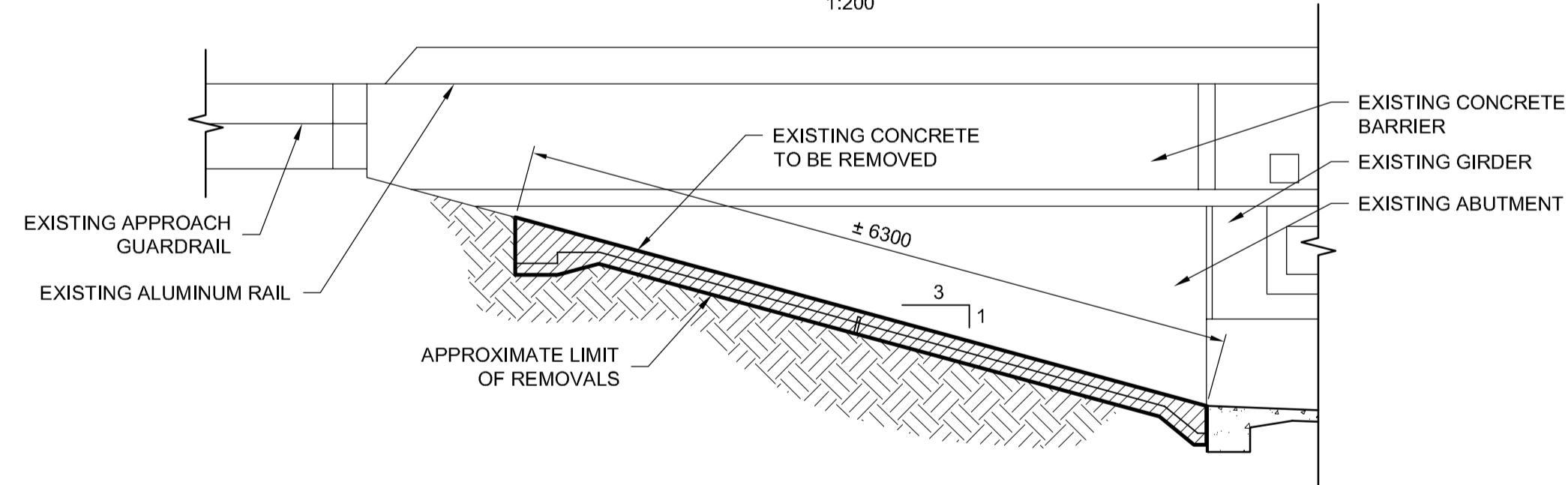
KEY PLAN
NTS



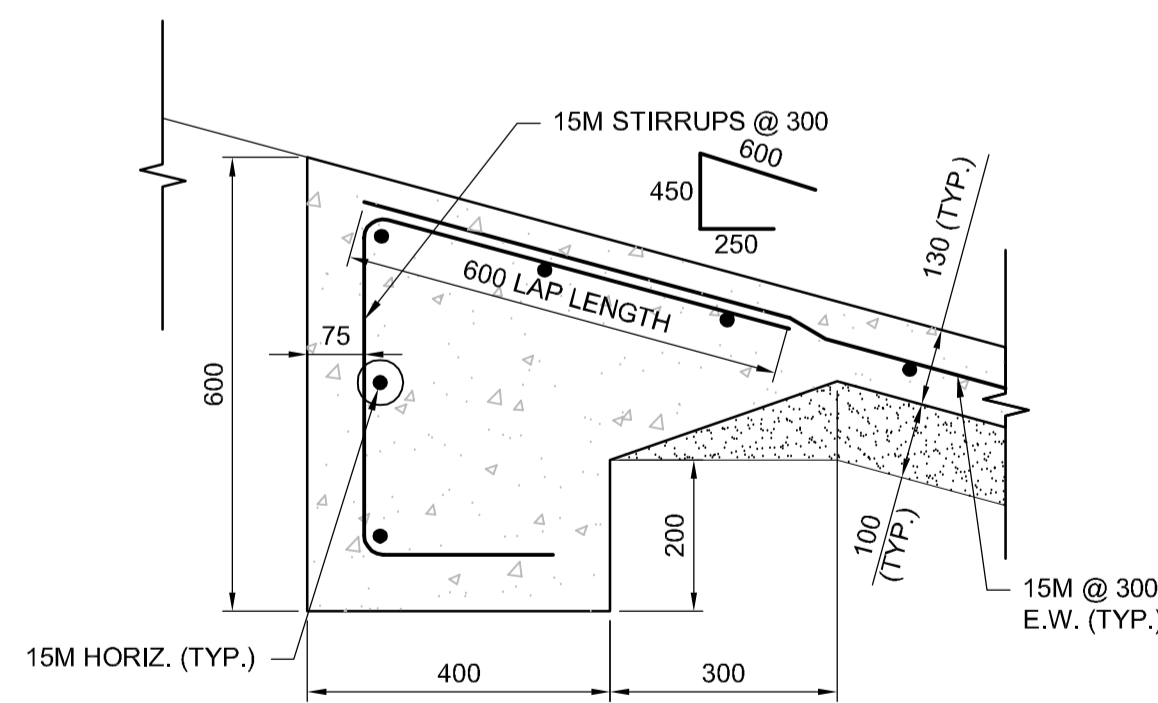
PLAN - EXISTING CONCRETE SLOPE PROTECTION
1:200



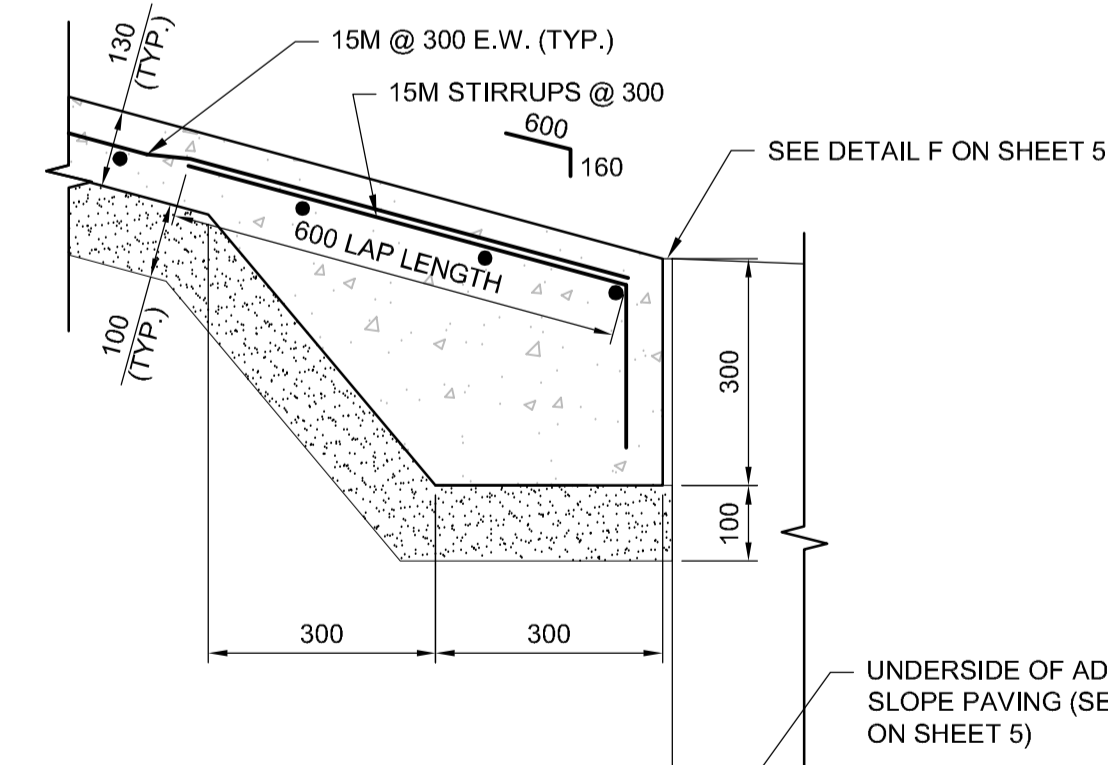
PLAN - PROPOSED CONCRETE SLOPE PROTECTION
1:200



SECTION - EXISTING CONCRETE SLOPE PROTECTION
1:50 NORTH OF ABUTMENT FACE LOOKING EAST



DETAIL A
1:10



DETAIL B
1:10

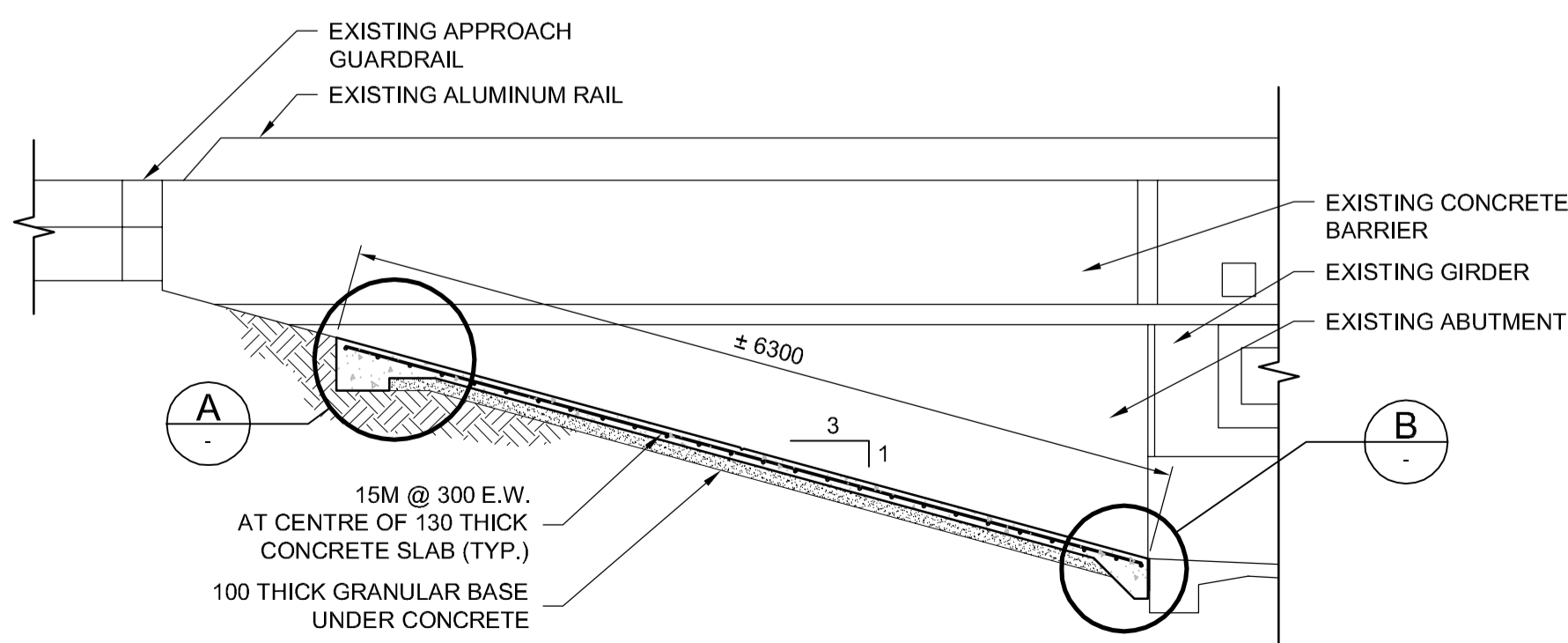
CONCORDIA SLOPE PAVING GENERAL NOTES:

- REINFORCING STEEL:**
- CSA G30.18 GR. 400W
 - HOT DIP GALVANIZED IN ACCORDANCE WITH ASTM A767, CLASS 11
 - MINIMUM BEND DIAMETER: 6D
 - MINIMUM LAP LENGTH: 600mm

- CONCRETE:**
- PROPORTION OF FINE AGGREGATE, COARSE AGGREGATE, CEMENT, WATER, AND AIR ENTRAINING AGENT SHALL BE SUCH AS TO YIELD CONCRETE HAVING THE REQUIRED STRENGTH AND WORKABILITY AS FOLLOWS:
- CLASS OF EXPOSURE: C-1
 - MINIMUM COMPRESSIVE STRENGTH AT 28 DAYS: 35MPa
 - MAXIMUM WATER/CEMENT RATIO: 0.40
 - AIR CONTENT: CATEGORY 2 PER TABLE 4 OF CSA A23.1-09 (4-7%)
 - CEMENT AS SPECIFIED IN THE SPECIFICATIONS

METRIC

WHOLE NUMBERS INDICATE MILLIMETRES
DECIMALIZED NUMBERS INDICATE METRES



SECTION - PROPOSED CONCRETE SLOPE PROTECTION
1:50 NORTH OF ABUTMENT FACE LOOKING EAST



B.M. ELEV.	DESIGNED BY	JLD
	DRAWN BY	JLD
	CHECKED BY	MRD
	APPROVED BY	-
	HOR. SCALE	-
	VERTICAL	-
0 ISSUED FOR TENDER	05/30/13	MRD
NO. REVISIONS	DATE	BY
	05/30/13	



ENGINEER'S SEAL
PROVINCE OF MANITOBA
REGISTERED PROFESSIONAL ENGINEER
M.R. DOUCET
05/30/13
Member 22306
CONSULTANT PROJECT NUMBER
13-7408

<p>THE CITY OF WINNIPEG PUBLIC WORKS DEPARTMENT</p>	
2013 BRIDGE MAINTENANCE PROGRAM ROUTE 20 KEEWATIN TWIN OVERPASS	CITY DRAWING NUMBER B123-13-01
NORTH SLOPE PAVING REMOVALS	SHEET 04 OF 05 CONSULTANT DRAWING NUMBER