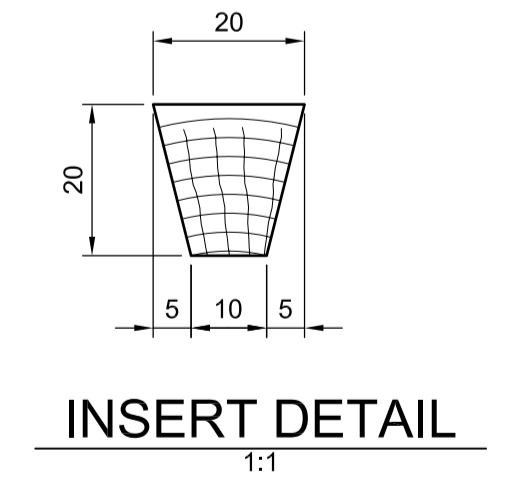
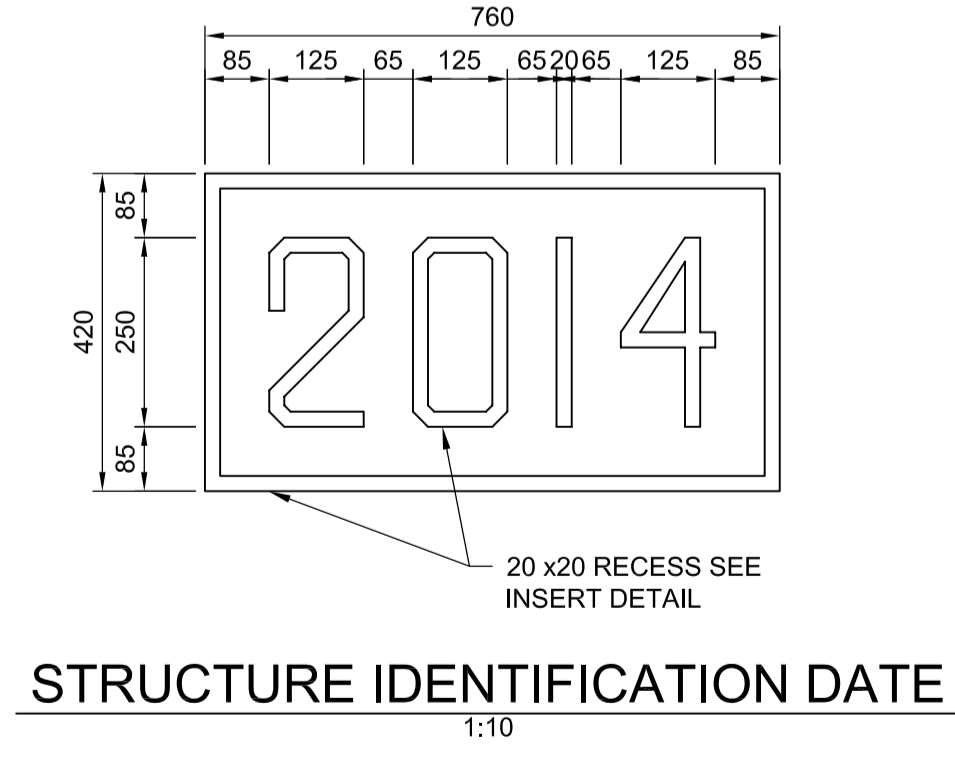


A SECTION
1:20
SU. 1 SHOWN
SU. 3 SIMILAR

NOTE:
ELEVATIONS ARE BASED ON ASSUMED BEARING THICKNESS OF 290 mm (SU. 1) AND 288 (SU. 2) INCLUDING GROUT PAD. ADJUST ELEVATIONS AS REQUIRED TO SUIT ACTUAL BEARINGS SUPPLIED.



NOTE:
STRUCTURE IDENTIFICATION DATE SHALL BE PLACED AT WEST ABUTMENT NORTH FACE.

G:\CAD\126606\Contract\contract_2\Current\Struct\Abutment SU. 1 and SU. 3 Concrete Details 2 of 3.dwg

APEGM
Certificate of Authorization
Dillon Consulting Limited (MB)
No. 1789 Date: 2013/08/01

UNDERGROUND STRUCTURES	B.M. ELEV.	DESIGNED BY KGW
SUPV. U/G STRUCTURES COMMITTEE		DRAWN BY RCB
		CHECKED BY RE
		APPROVED BY MBL
		HOR. SCALE AS SHOWN
		VERTICAL AS SHOWN
0 ISSUED FOR TENDER	13/08/08	DATE 2013/08/01
NO. REVISIONS	DATE	BY

DILLON CONSULTING

RELEASED FOR CONSTRUCTION

ENGINEER'S SEAL

PROVINCE OF MANITOBA

WILLIS K.G. Member 33036

ENGINEER'S SEAL

PROVINCE OF MANITOBA

Aug 8/13 S.S. RIHAL Registered Professional Engineer

THE CITY OF WINNIPEG PUBLIC WORKS DEPARTMENT

Waverley West Arterial Roads Project (WWARP) PART 3 - CONTRACT 2
ROUTE 90 TO ROUTE 165, OVERPASS (KENASTON BLVD.) AND ASSOCIATED WORKS

CONSULTANT PROJECT NUMBER 12-6606

ABUTMENT SU. 1 AND SU. 3 CONCRETE DETAILS 2 OF 2

CITY DRAWING NUMBER B242-13-10
SHEET 10 OF 128
CONSULTANT DRAWING NUMBER