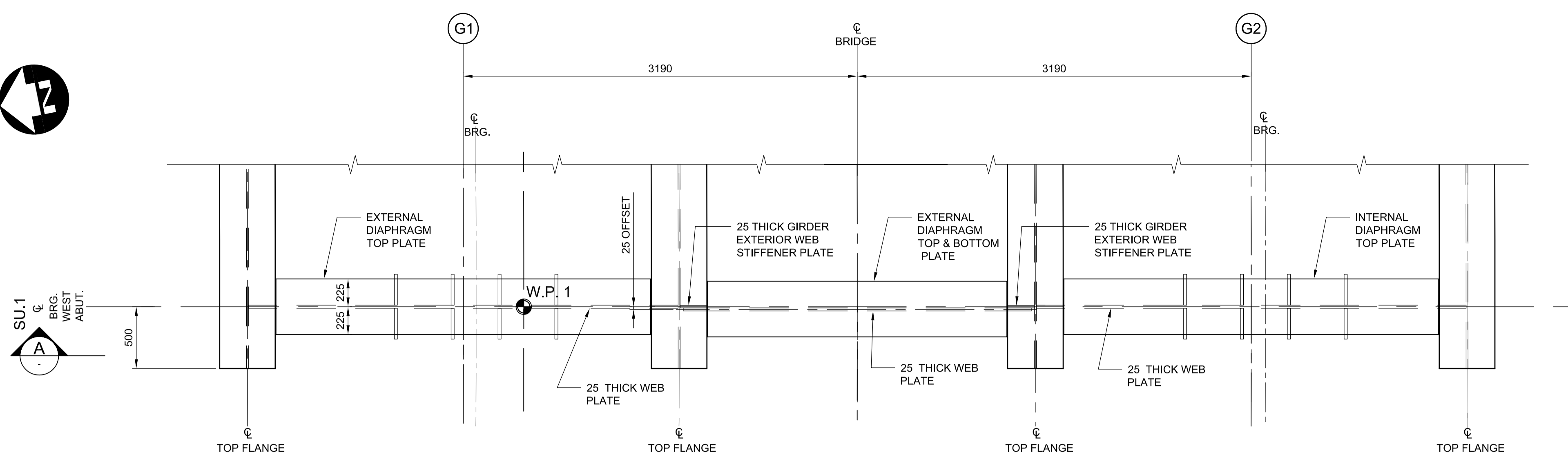


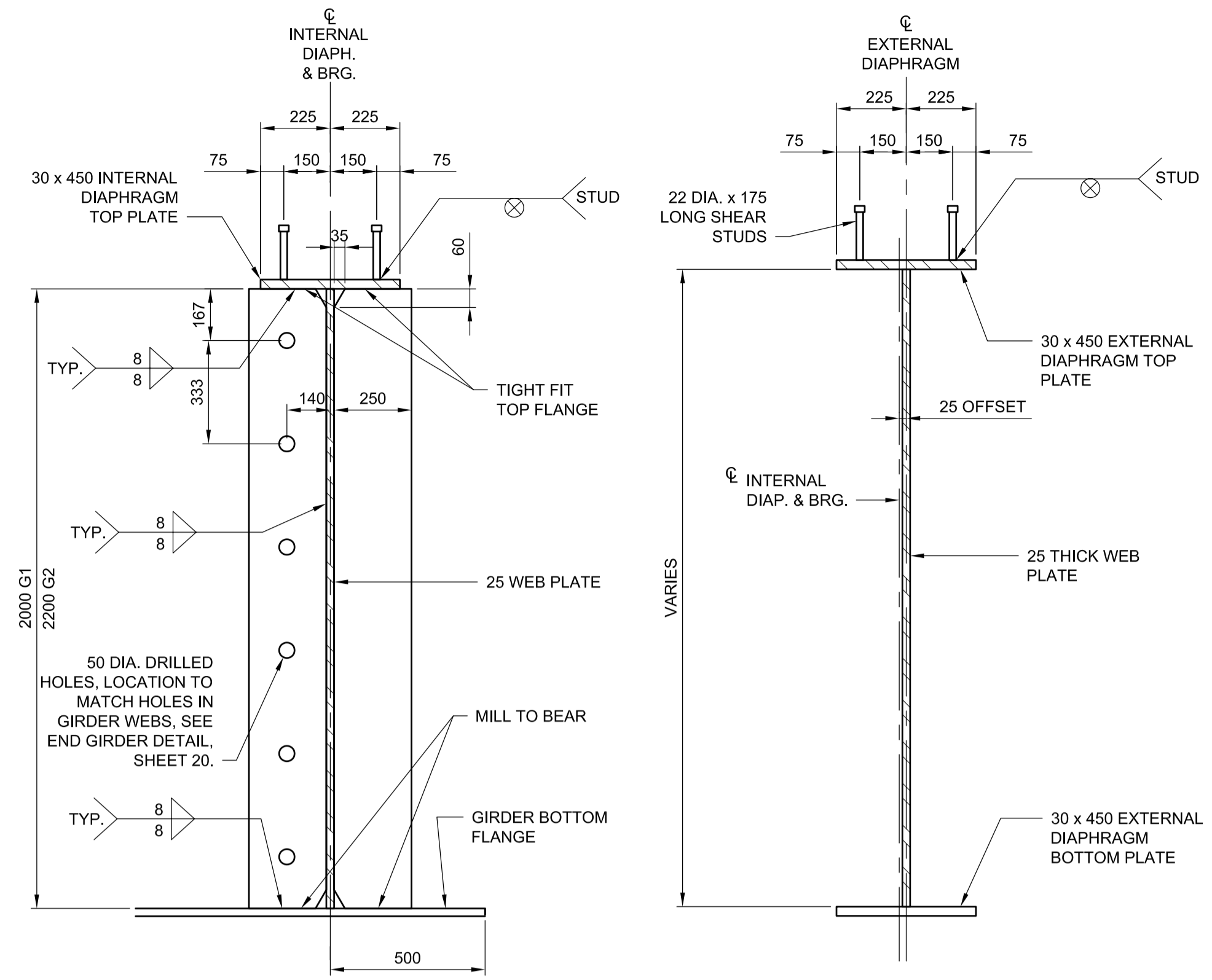
SU.1
BRG.
WEST
ABUT.



PLAN AT ABUTMENT

1:25

NOTE:
DIAPHRAGM AT SU.1 IS SHOWN
DIAPHRAGM AT SU.3 IS OPPOSITE HAND

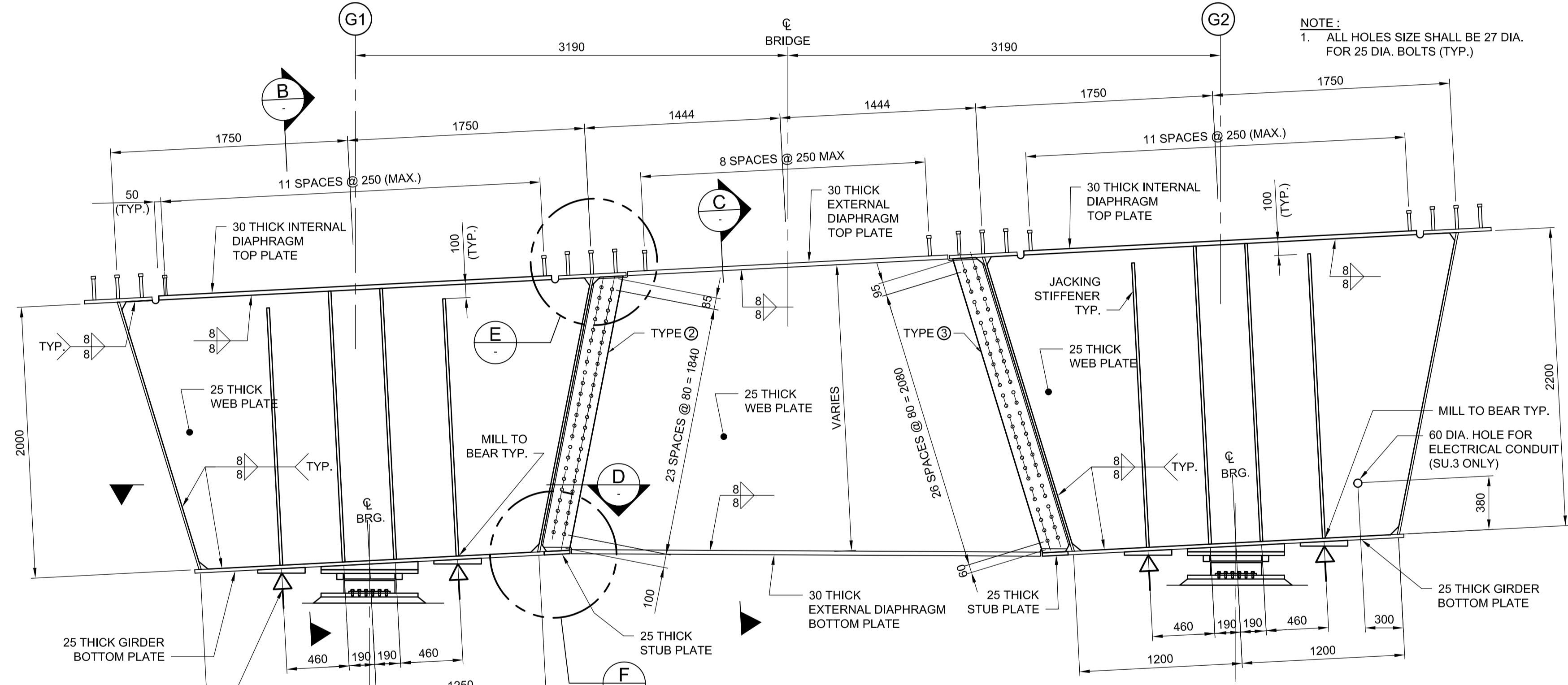


B SECTION

1:15

C SECTION

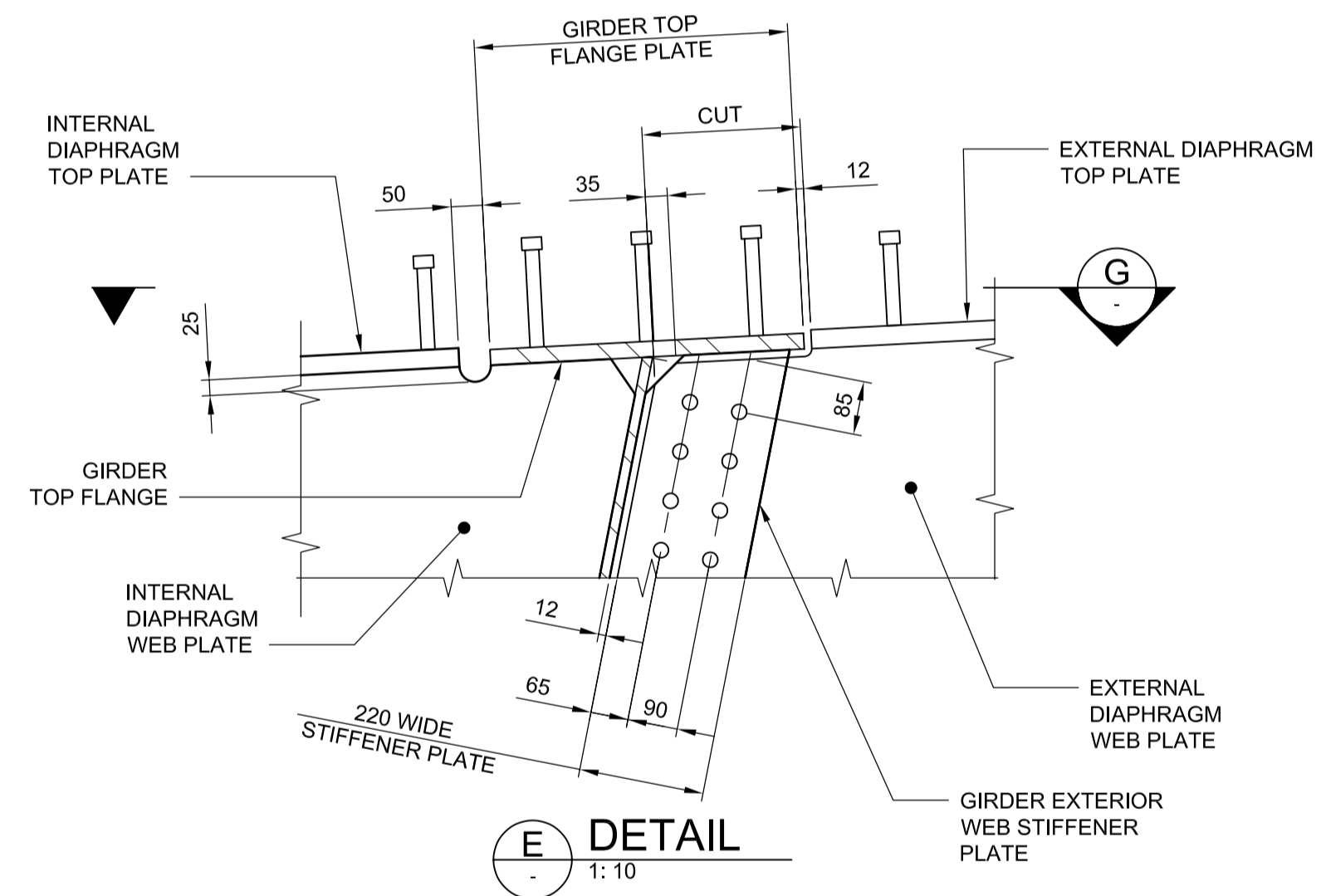
1:15



A SECTION

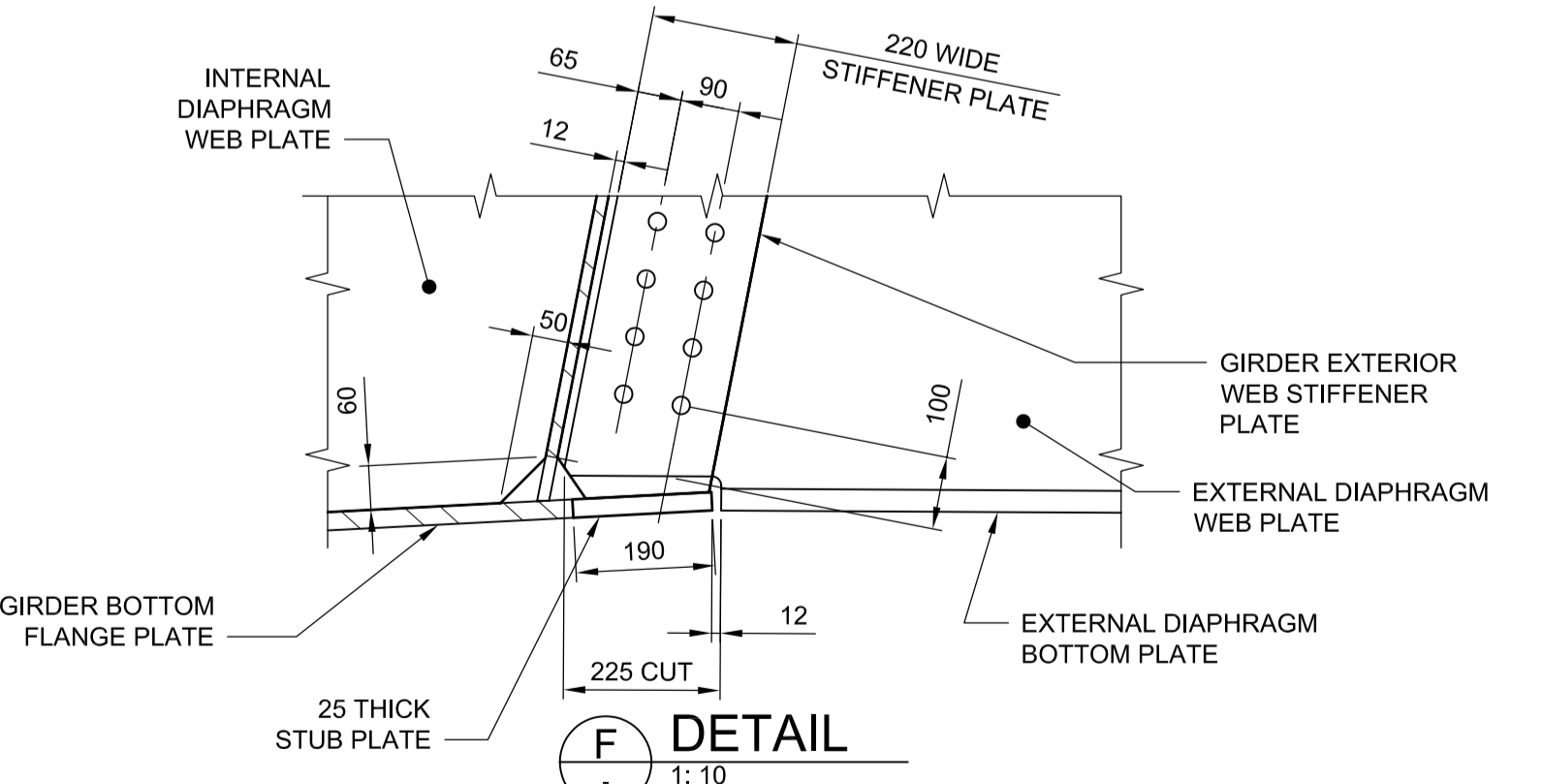
1:25

NOTE:
1. ALL HOLES SIZE SHALL BE 27 DIA.
FOR 25 DIA. BOLTS (TYP.)



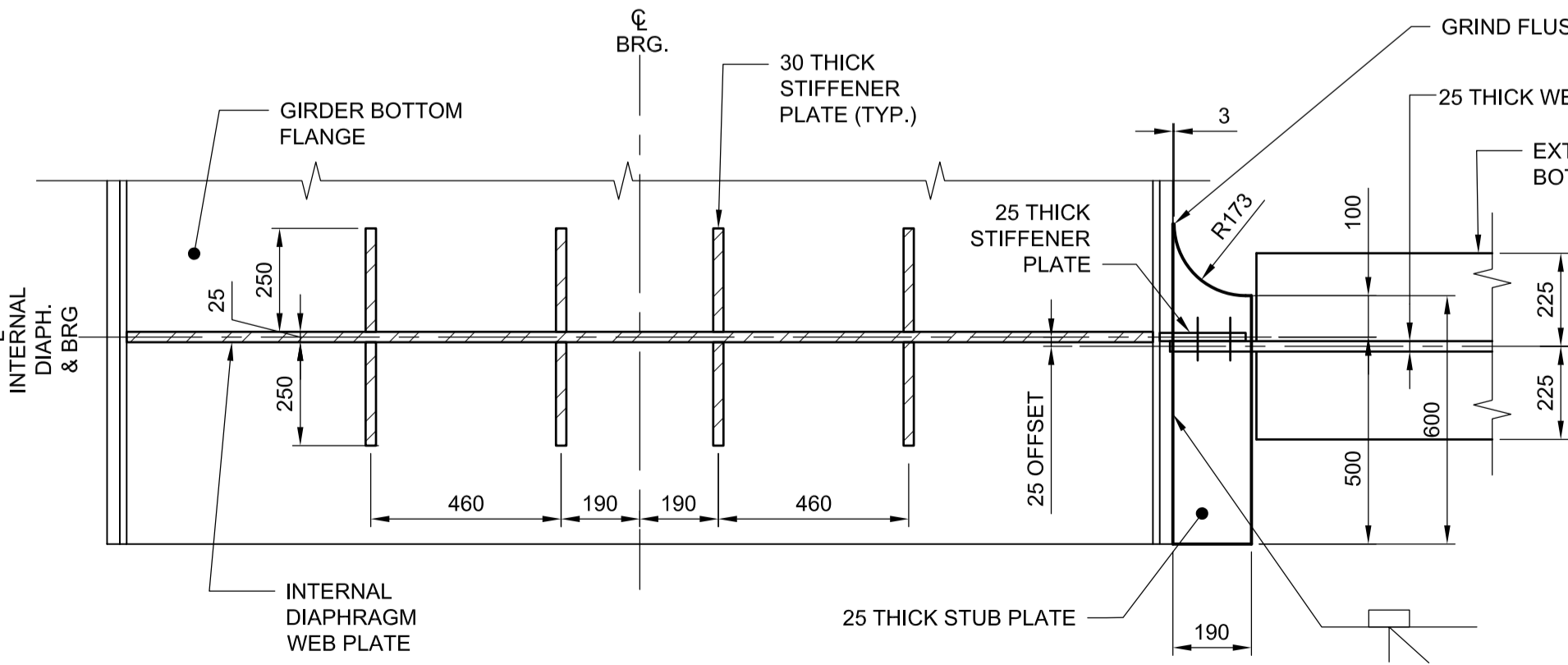
E DETAIL

1:10



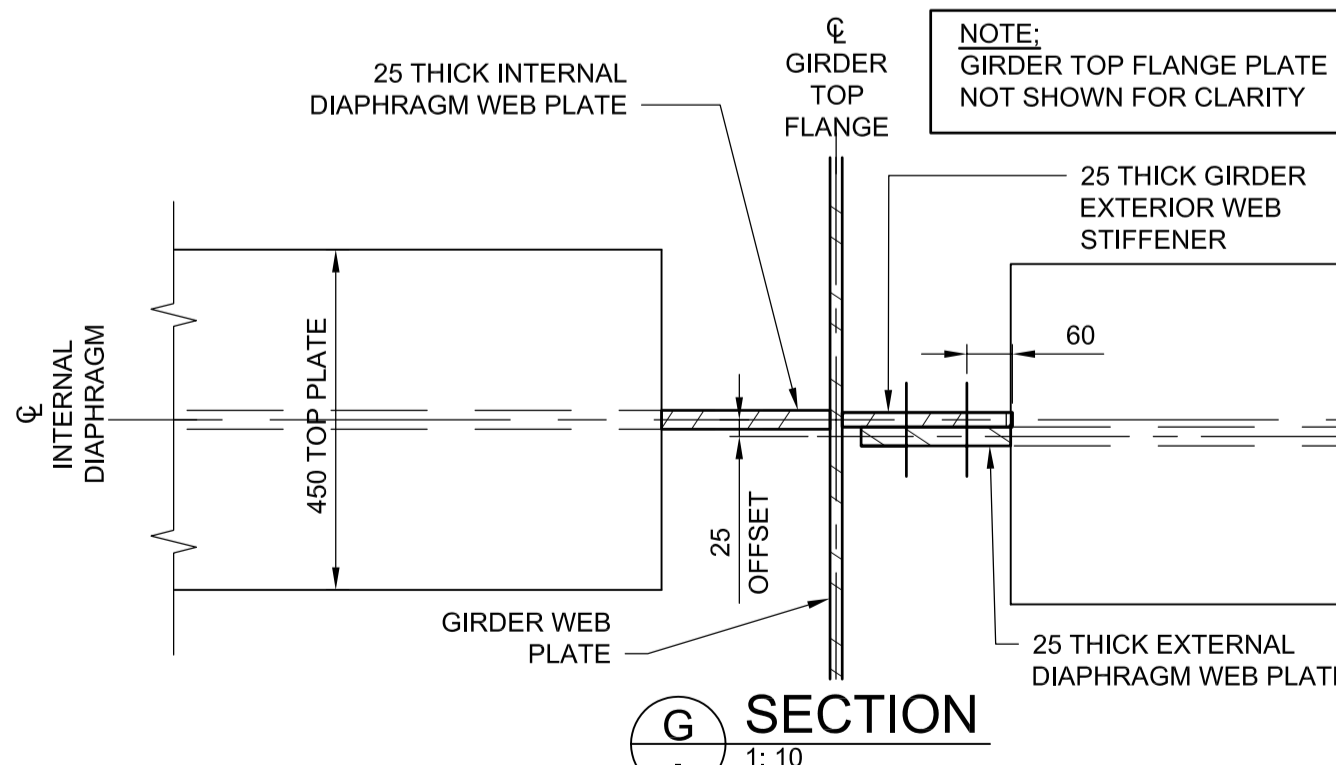
F DETAIL

1:10



D SECTION

1:15



G SECTION

1:10

NOTE:
GIRDER TOP FLANGE PLATE
NOT SHOWN FOR CLARITY

G:\CAD\126606\Contract\Contract_2\Current\Struct_Steel_Girders - Diaphragms at SU. 1 and SU. 3.dwg

APEGM
Certificate of Authorization
Dillon Consulting Limited (MB)
No. 1789 Date: 2013/08/01

UNDERGROUND STRUCTURES	
SUPV. U/G STRUCTURES COMMITTEE	DATE
NOTE: LOCATION OF UNDERGROUND STRUCTURES AS SHOWN ARE BASED ON THE BEST INFORMATION AVAILABLE BUT NO GUARANTEE IS GIVEN THAT ALL EXISTING UTILITIES ARE SHOWN OR THAT THE GIVEN LOCATIONS ARE EXACT. CONFIRMATION OF EXISTENCE AND EXACT LOCATION OF ALL SERVICES MUST BE OBTAINED FROM THE INDIVIDUAL UTILITIES BEFORE PROCEEDING WITH CONSTRUCTION.	

B.M. ELEV.	DESIGNED BY RE
	DRAWN BY NBG
	CHECKED BY SSR
	APPROVED BY MBL
HOR. SCALE AS SHOWN	RELEASED FOR CONSTRUCTION
VERTICAL	DATE 2013/08/01
0 ISSUED FOR TENDER 13/08/08 MBL	
NO. REVISIONS	DATE BY

DILLON CONSULTING

ENGINEER'S SEAL
PROVINCE OF MANITOBA
R.B. ERIC
REGISTERED PROFESSIONAL ENGINEER

ENGINEER'S SEAL
PROVINCE OF MANITOBA
S.S. RIHAL
REGISTERED PROFESSIONAL ENGINEER

THE CITY OF WINNIPEG
PUBLIC WORKS DEPARTMENT

Waverley West Arterial Roads Project (WWARP) PART 3 - CONTRACT 2
ROUTE 90 TO ROUTE 165, OVERPASS (KENASTON BLVD.) AND ASSOCIATED WORKS

CITY DRAWING NUMBER: B242-13-21
SHEET 21 OF 128

CONSULTANT PROJECT NUMBER: 12-6606

STEEL GIRDERS - DIAPHRAGMS AT SU. 1 AND SU. 3

CONSULTANT DRAWING NUMBER