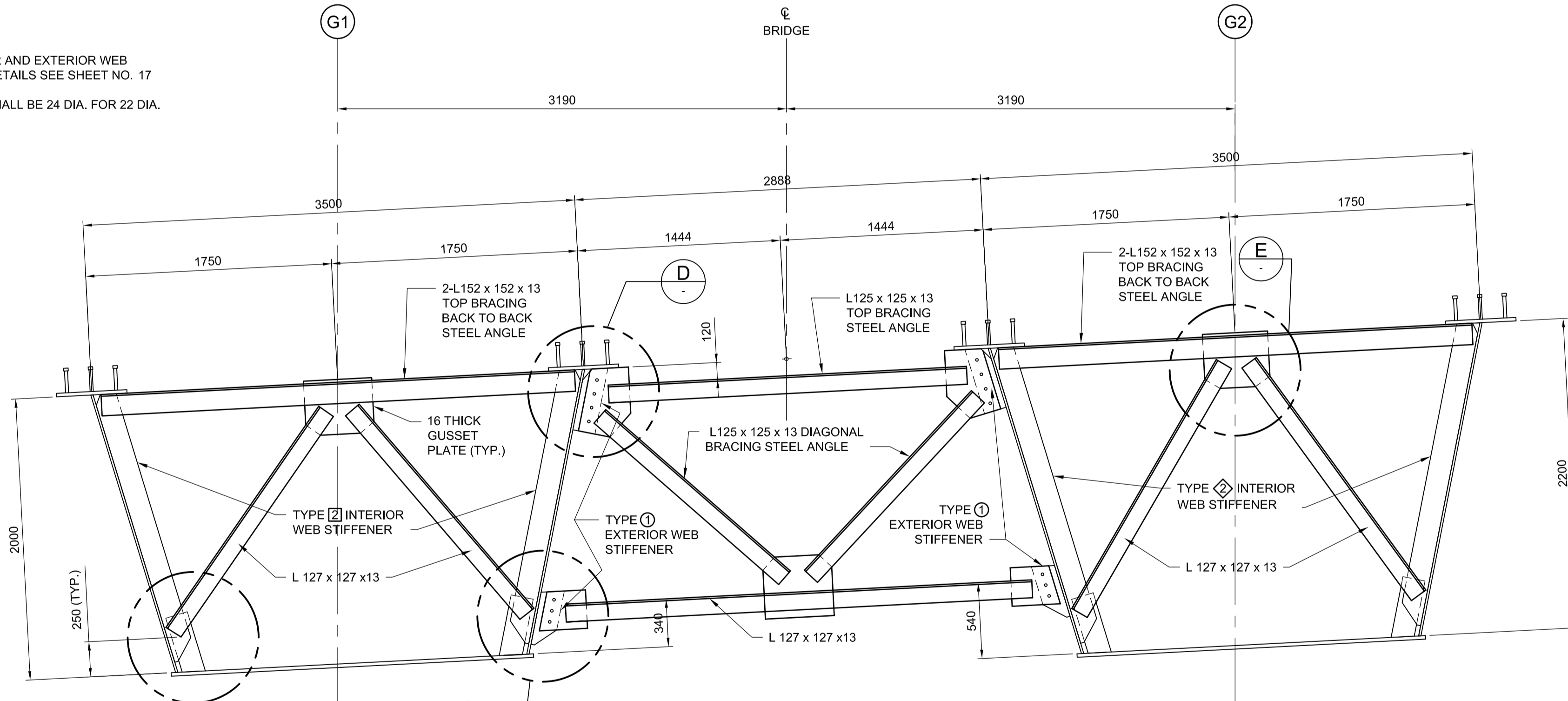


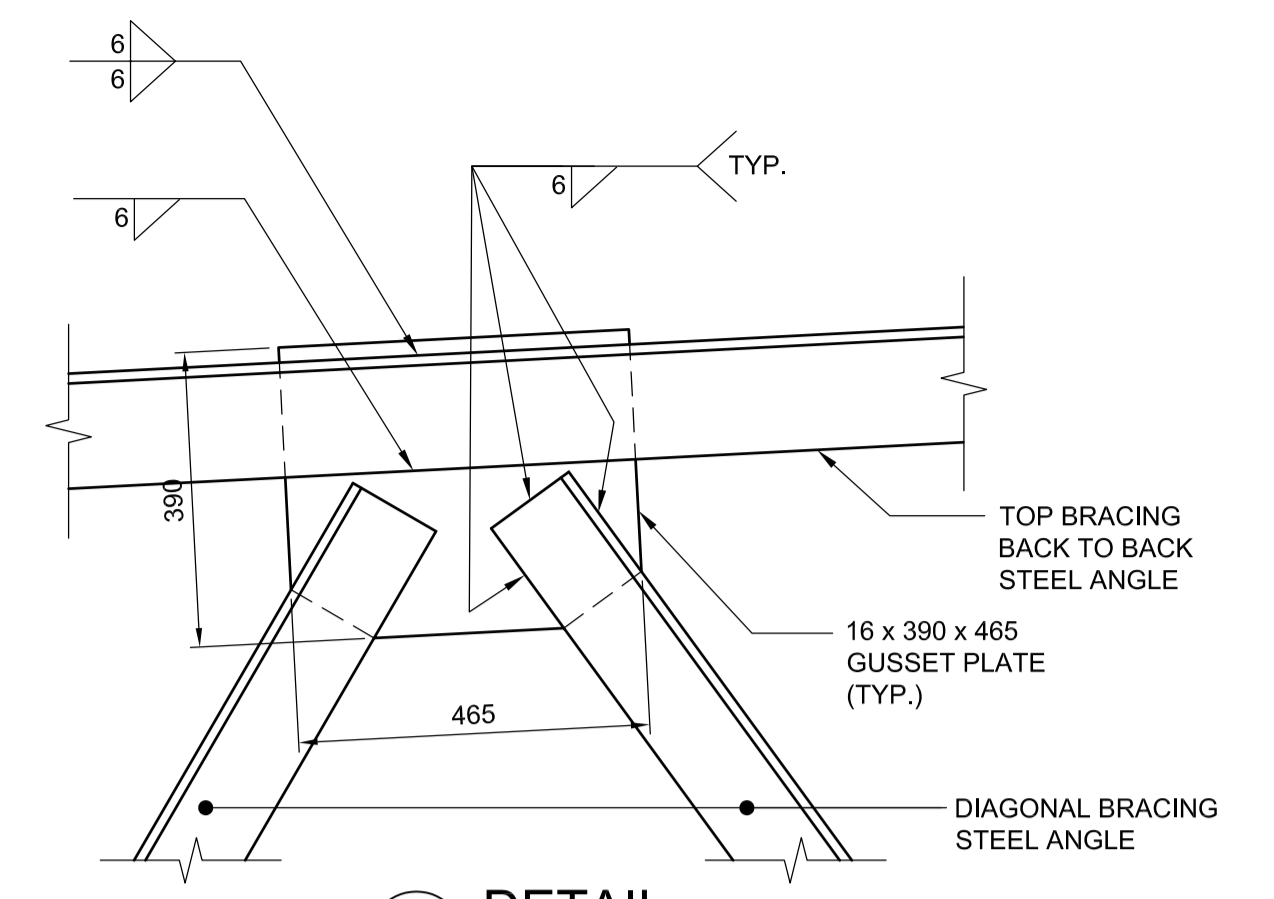
PLAN AT CROSSFRAME
1:25

NOTE:

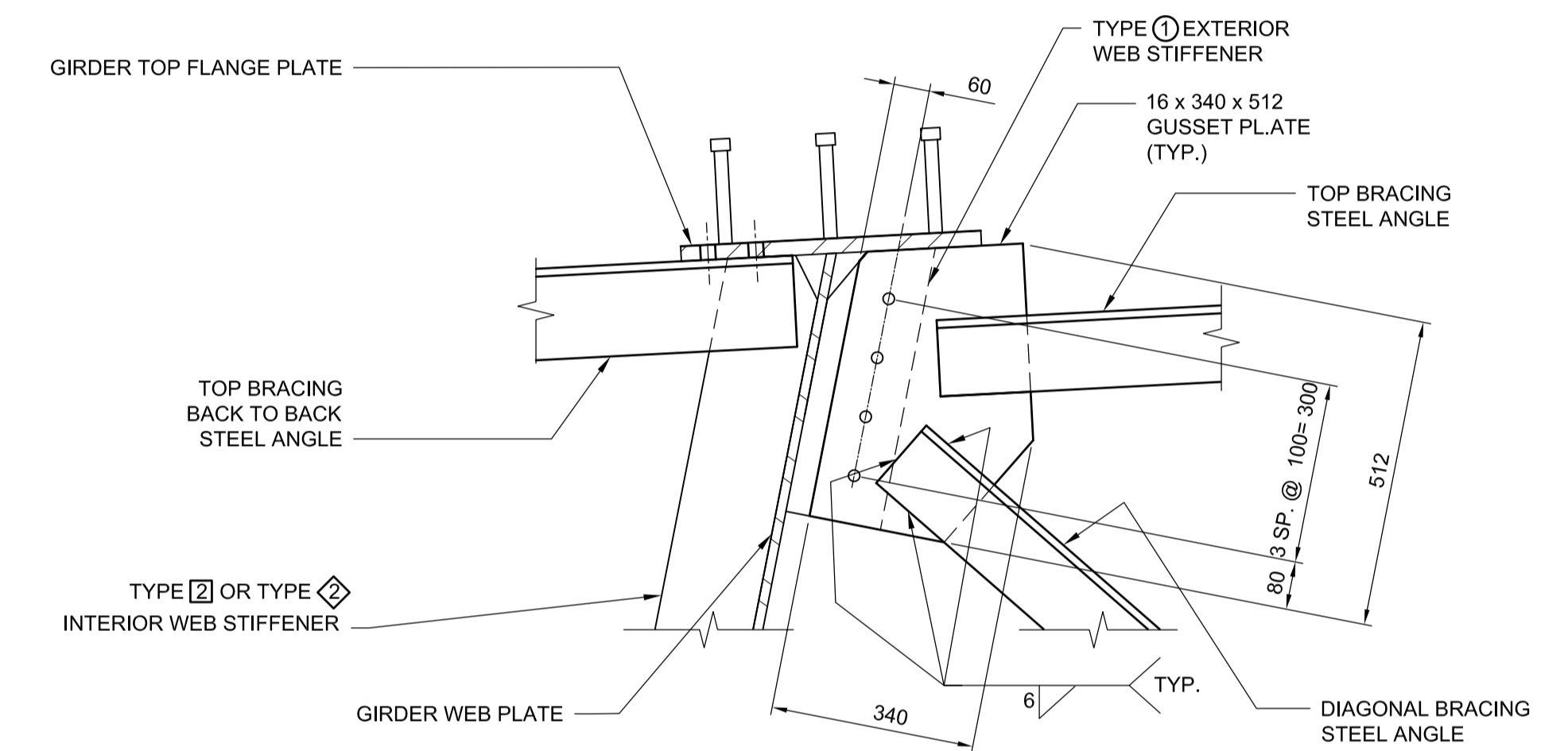
- FOR INTERIOR AND EXTERIOR WEB STIFFENER DETAILS SEE SHEET NO. 17
- ALL HOLES SHALL BE 24 DIA. FOR 22 DIA. BOLTS (TYP.)



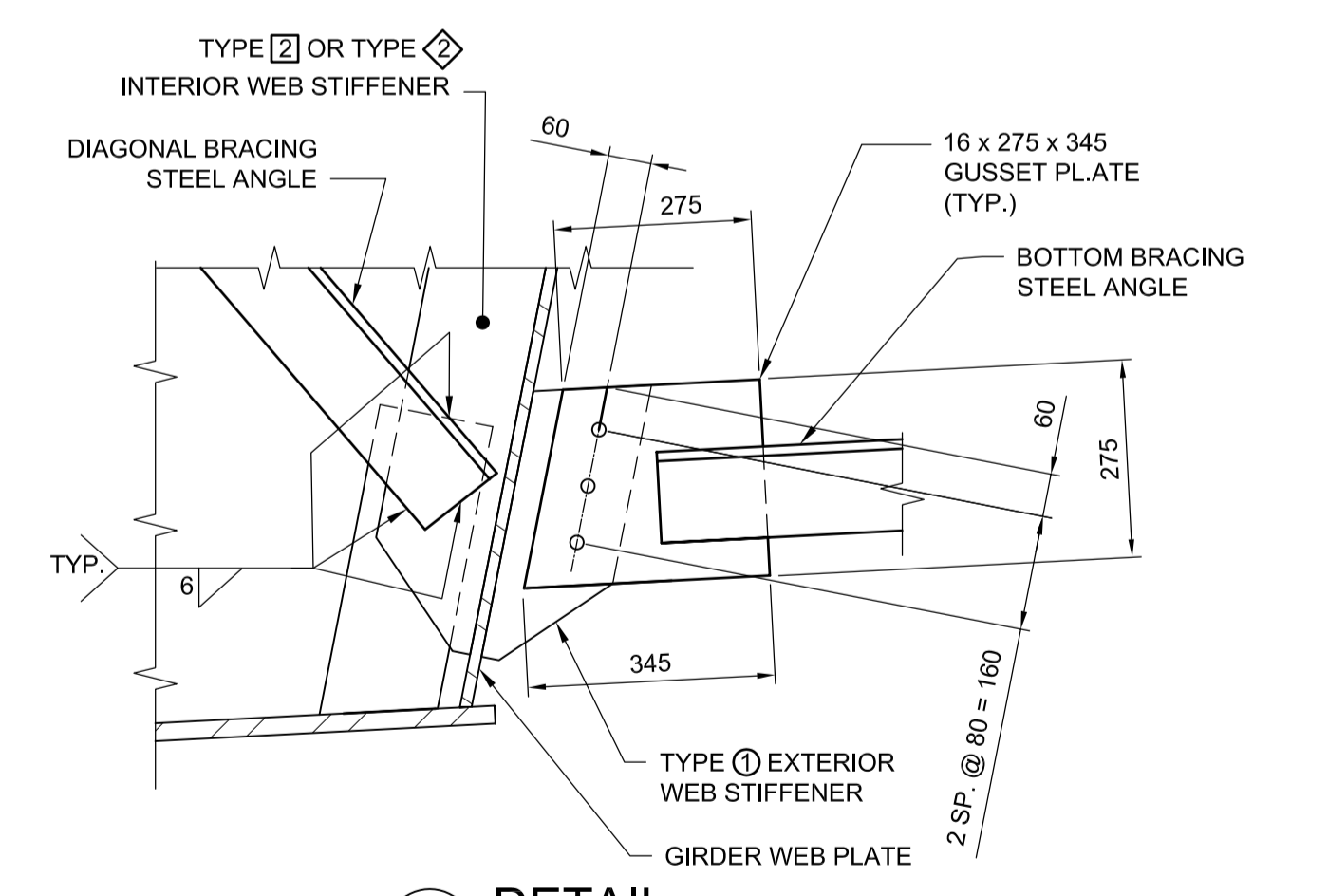
SECTION
1:25



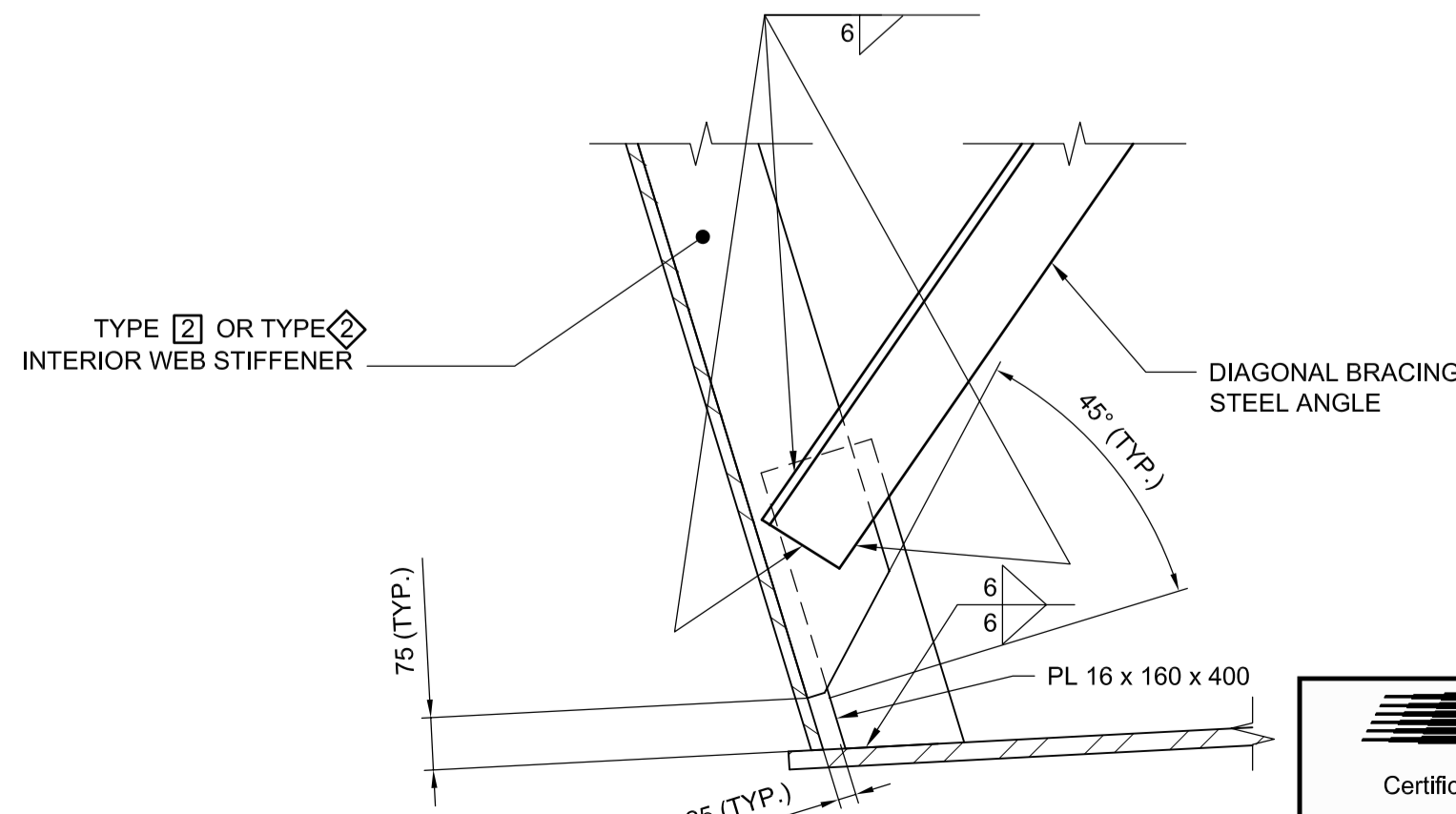
DETAIL E
1:10



DETAIL D
1:10



DETAIL C
1:10

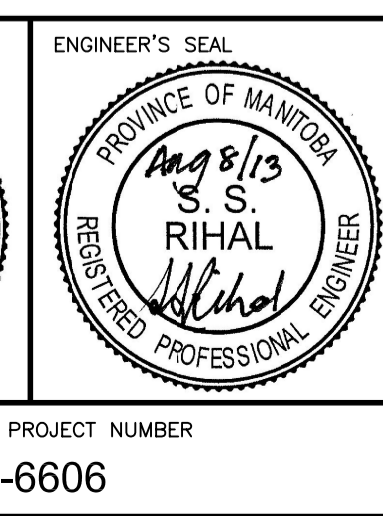
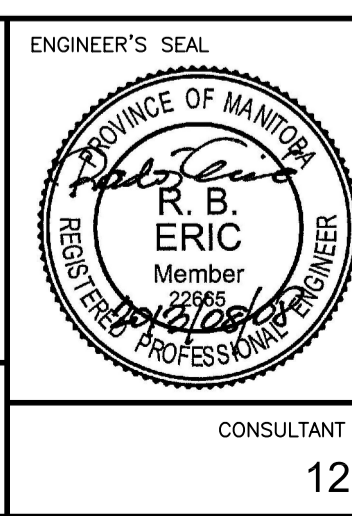


DETAIL B
1:10

APEGM
Certificate of Authorization
Dillon Consulting Limited (MB)
No. 1789 Date: 2013/08/01

UNDERGROUND STRUCTURES	B.M. ELEV.	DESIGNED BY	RE
SUPV. U/G STRUCTURES COMMITTEE	DATE	DRAWN BY	NBG
		CHECKED BY	SSR
		APPROVED BY	MBL
		HOR. SCALE	AS SHOWN
		VERTICAL	
0 ISSUED FOR TENDER	13/08/08	DATE	2013/08/01
NO. REVISIONS	DATE	BY	DATE

RELEASED FOR CONSTRUCTION	DATE
CONSULTANT PROJECT NUMBER	12-6606



THE CITY OF WINNIPEG
PUBLIC WORKS DEPARTMENT

Waverley West Arterial Roads Project (WWARP) PART 3 - CONTRACT 2
ROUTE 90 TO ROUTE 165, OVERPASS (KENASTON BLVD.) AND ASSOCIATED WORKS

STEEL GIRDERS - TYPICAL CROSSFRAME DETAILS

CITY DRAWING NUMBER: B242-13-23
SHEET 23 OF 128
CONSULTANT DRAWING NUMBER

G:\CAD\126606\Contract\contract_2\Current\Struct_Steel_Girders - Crossframe_Details.dwg