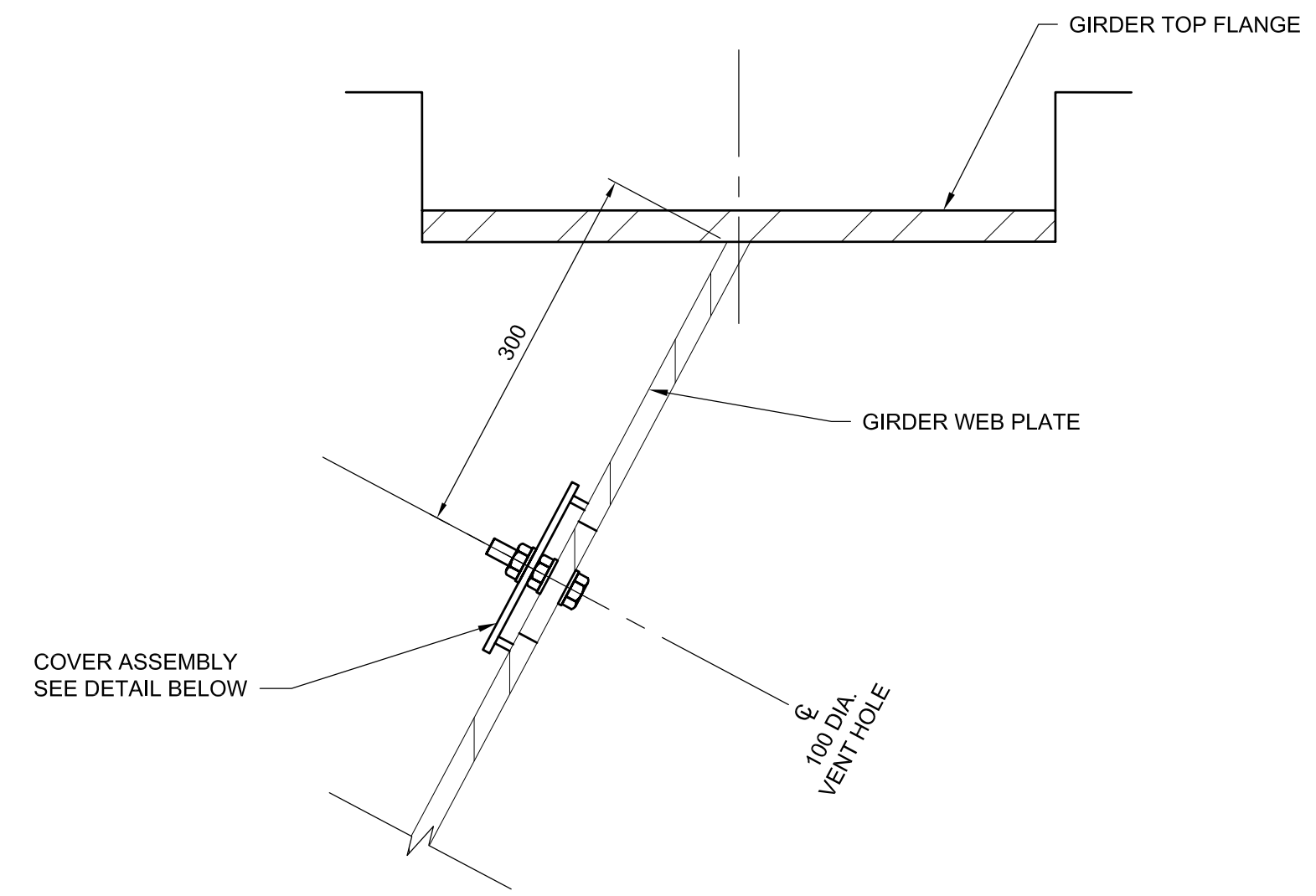
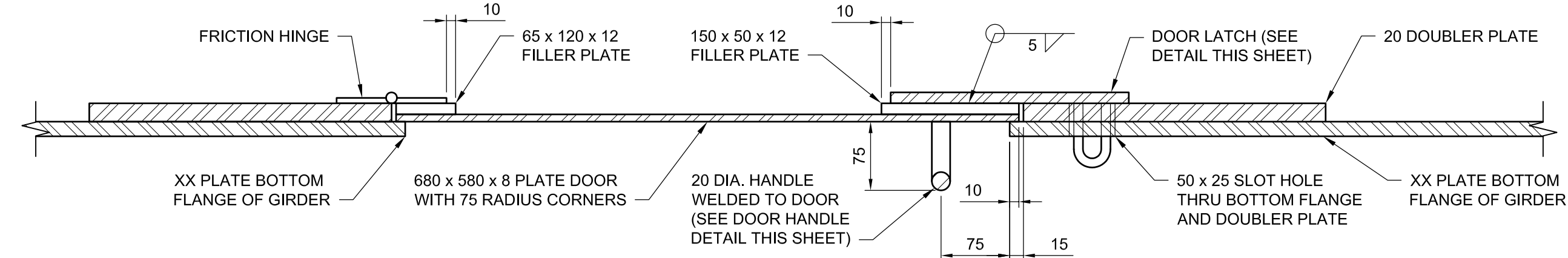


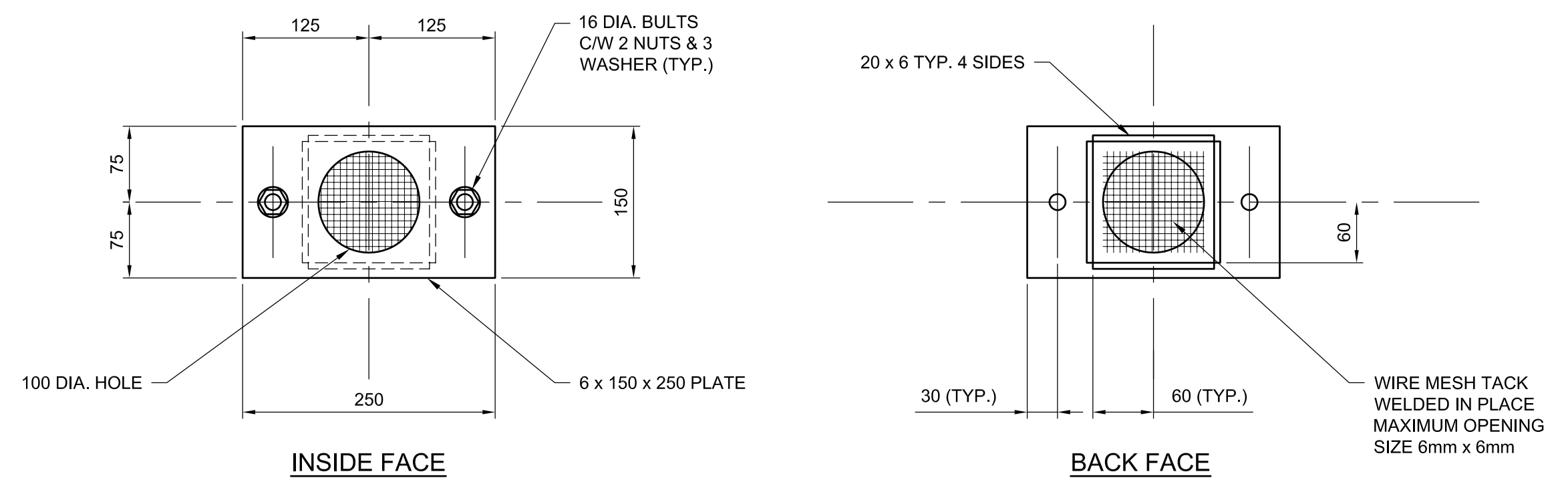
ACCESS HATCH PLAN  
1:20



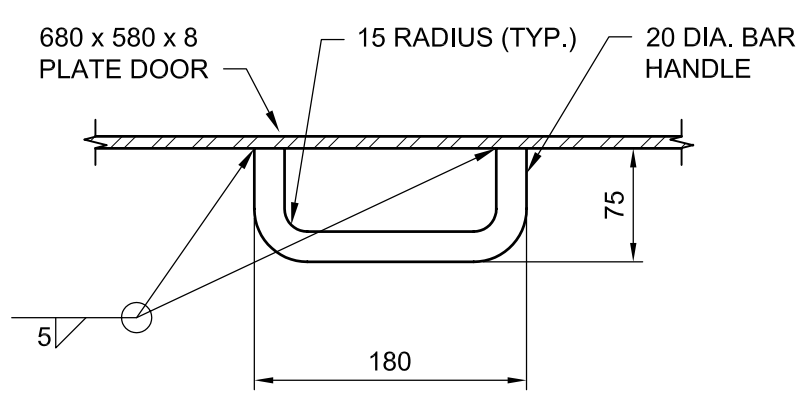
VENT HOLE LOCATION  
1:5



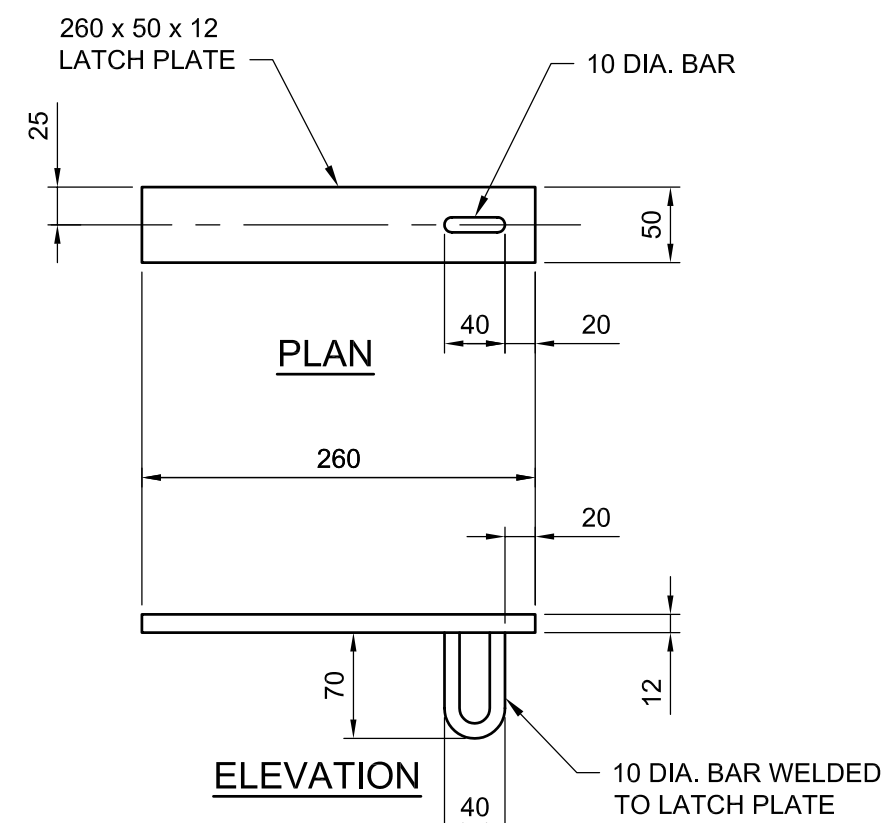
SECTION X-X  
1:5



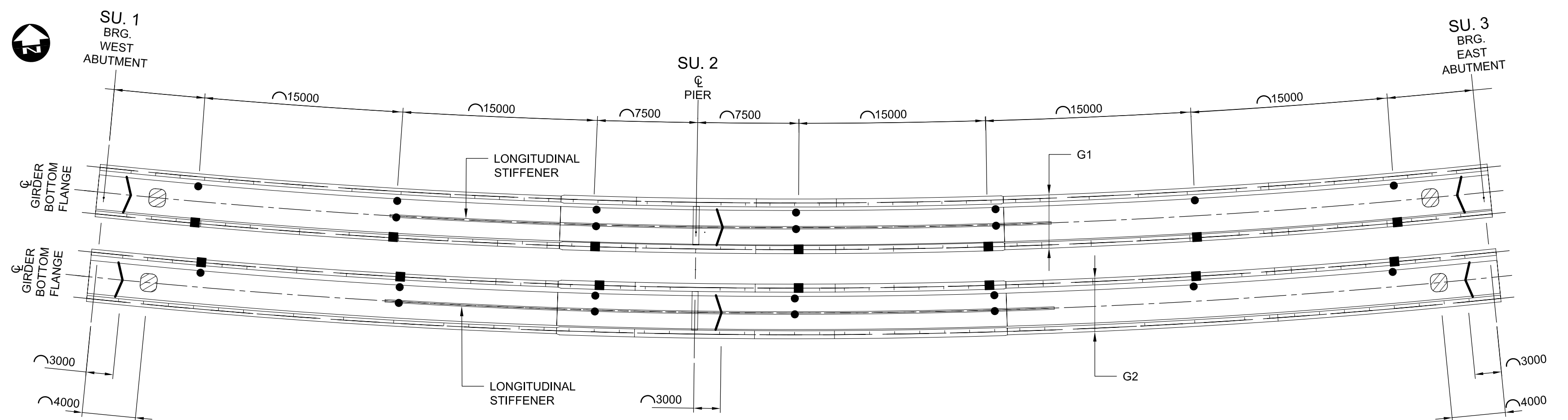
VENT HOLE COVER ASSEMBLY  
1:5



DOOR HANDLE DETAIL  
1:5



DOOR LATCH DETAIL  
1:5



PLAN  
1:250

- LEGEND:
- ACCESS HATCH
  - DRIP TUB
  - DRAIN HOLE
  - VENT HOLE

- NOTES:
- FRICITION HINGE SHALL BE SIZED BASED ON TORQUE PRODUCED DURING LIFTING/LOWERING ACCESS DOOR.
  - IN LIEU OF ACCESS HATCH SHOWN ON THIS SHEET THE CONTRACTOR MAY ELECT TO UTILIZE A PREFABRICATED ACCESS HATCH SUITABLE FOR THIS APPLICATION. IN ADOPTING SUCH OPTION THE CONTRACTOR SHALL SUBMIT ALL REQUIRED INFORMATION TO CONTRACT ADMINISTRATOR FOR HIS/HER APPROVAL.

- NOTES:
- FOR DETAILS OF ACCESS HATCH & VENT HOLE SEE ABOVE DETAILS.
  - FOR DETAILS OF DRAIN HOLE SEE SHEET NO. 19
  - FOR DETAILS OF DRIP TUB SEE SHEET NO. 20
  - VENT HOLE TO BE MOVED A MINIMUM OF 300 IF INTERFERE WITH GIRDER WEB STIFFENER (TYP.).



UNDERGROUND STRUCTURES	B.M. ELEV.	DESIGNED BY	RE
SUPV. U/G STRUCTURES COMMITTEE		DRAWN BY	NBG
		CHECKED BY	SSR
		APPROVED BY	MBL
		HOR. SCALE	AS SHOWN
		VERTICAL	
0 ISSUED FOR TENDER	13/08/08	DATE	2013/08/01
NO. REVISIONS	DATE	BY	DATE

RELEASED FOR CONSTRUCTION

ENGINEER'S SEAL

CONSULTANT PROJECT NUMBER  
12-6606

THE CITY OF WINNIPEG  
PUBLIC WORKS DEPARTMENT

Waverley West Arterial Roads Project (WWARP) Part 3 - Contract 2  
Route 90 to Route 165, Overpass (Kenaston Blvd.) and Associated Works

CITY DRAWING NUMBER  
B242-13-27

SHEET 27 OF 128

CONSULTANT DRAWING NUMBER

STEEL GIRDERS - ACCESS HATCH DETAILS