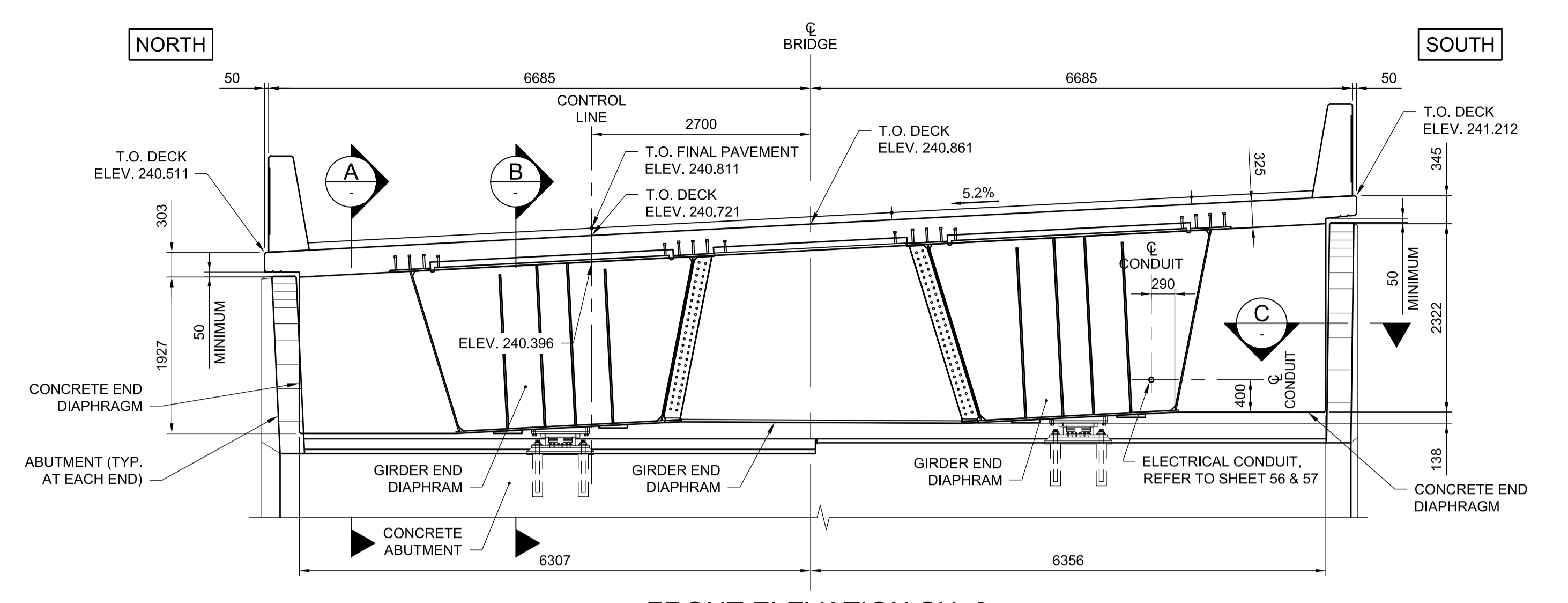
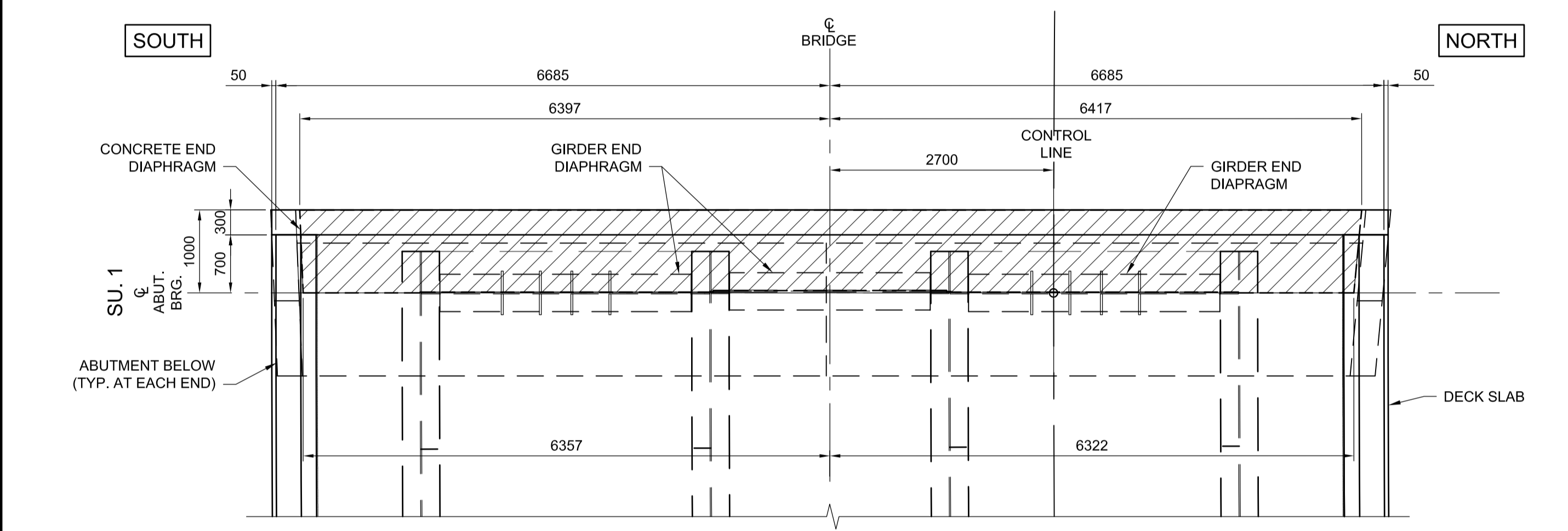


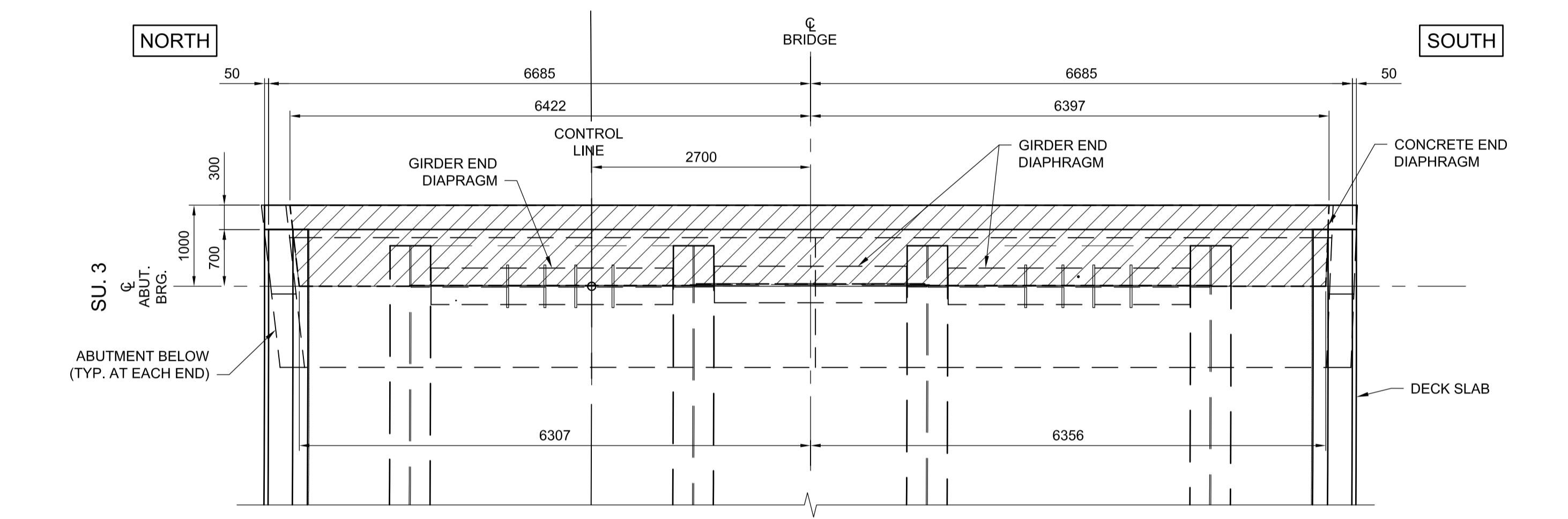
**FRONT ELEVATION SU. 1**  
1:50  
\* ALL ELEVATIONS ARE LOCATED AT C OF BEARING



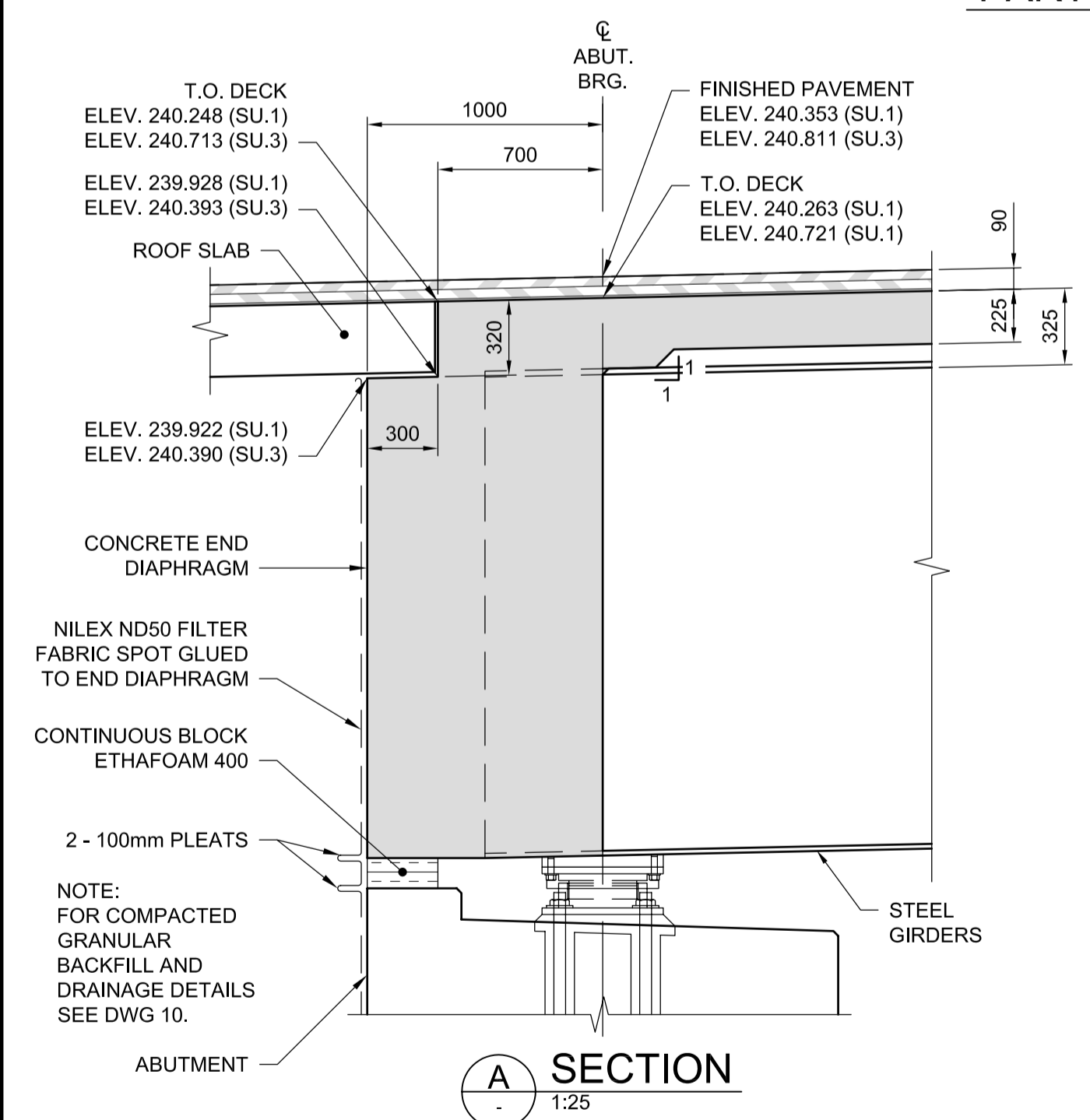
**FRONT ELEVATION SU. 3**  
1:50  
\* ALL ELEVATIONS ARE LOCATED AT C OF BEARING



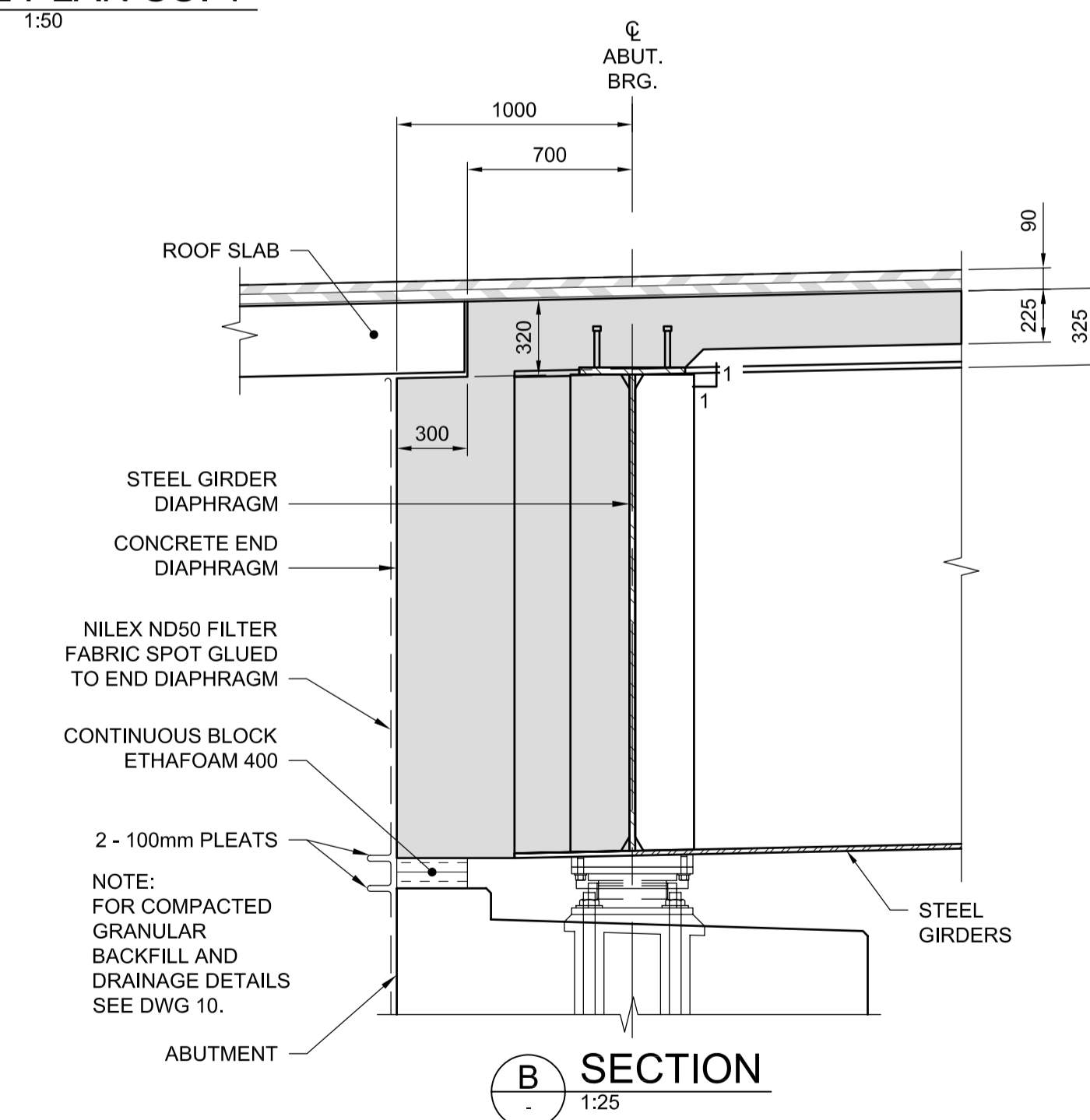
**PARTIAL PLAN SU. 1**  
1:50



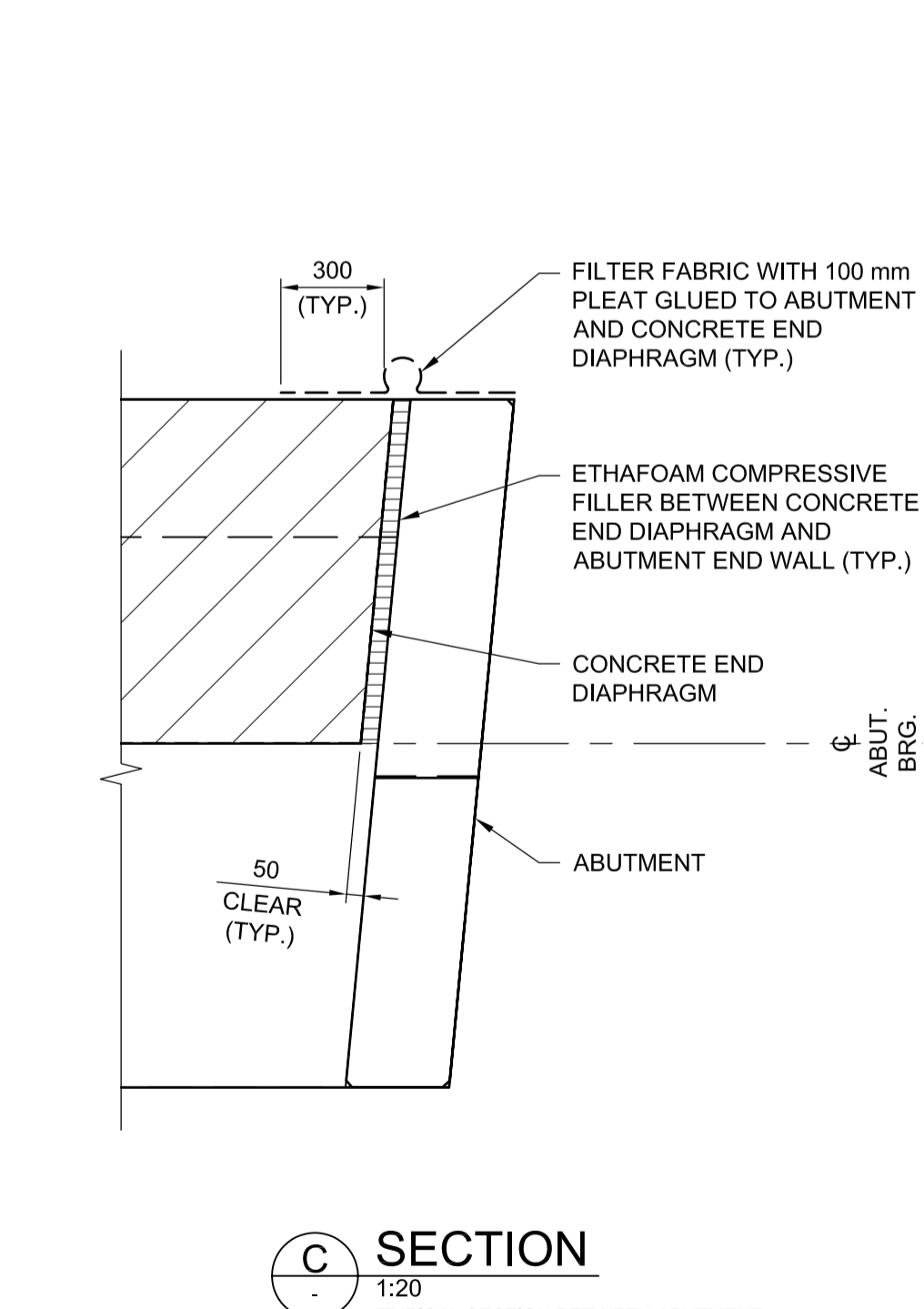
**PARTIAL PLAN SU. 3**  
1:50



**SECTION A**  
1:25  
\* ALL ELEVATIONS ARE LOCATED AT CONTROL LINE



**SECTION B**  
1:25  
\* REFER SECTION A FOR TYPICAL ELEVATIONS



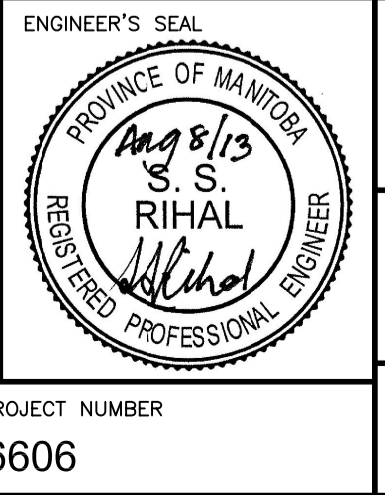
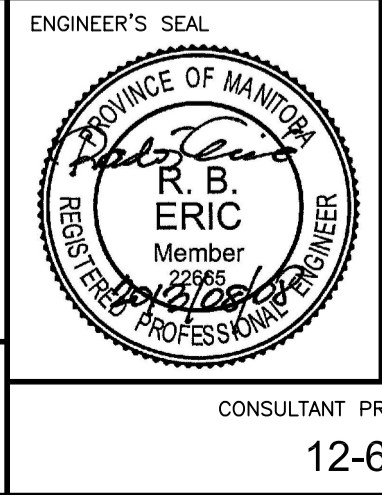
**SECTION C**  
1:20  
(TYPICAL SECTION BETWEEN ABUTMENT AND CONCRETE END DIAPHRAGM)

G:\CAD\126606\Contract\contract\_2\Current\Struct\_Deck\_Cross-Sections.dwg



UNDERGROUND STRUCTURES		B.M. ELEV.
SUPV. U/G STRUCTURES COMMITTEE	DATE	
NOTE: LOCATION OF UNDERGROUND STRUCTURES AS SHOWN ARE BASED ON THE BEST INFORMATION AVAILABLE BUT NO GUARANTEE IS GIVEN THAT ALL EXISTING UTILITIES ARE SHOWN OR THAT THE GIVEN LOCATIONS ARE EXACT. CONFIRMATION OF EXISTENCE AND EXACT LOCATION OF ALL SERVICES MUST BE OBTAINED FROM THE INDIVIDUAL UTILITIES BEFORE PROCEEDING WITH CONSTRUCTION.		
0	ISSUED FOR TENDER	13/08/08 MBL
NO.	REVISIONS	DATE BY

DESIGNED BY	RE
DRAWN BY	TLK
CHECKED BY	SSR
APPROVED BY	MBL
HOR. SCALE	AS SHOWN
VERTICAL	
0	ISSUED FOR TENDER
NO.	REVISIONS



**THE CITY OF WINNIPEG**  
PUBLIC WORKS DEPARTMENT

Waverley West Arterial Roads Project (WWARP) Part 3 - Contract 2  
Route 90 to Route 165, Overpass (Kenaston Blvd.) and Associated Works

CITY DRAWING NUMBER: B242-13-30  
SHEET 30 OF 128  
CONSULTANT DRAWING NUMBER

CONSULTANT PROJECT NUMBER: 12-6606

DECK END DIAPHRAGMS