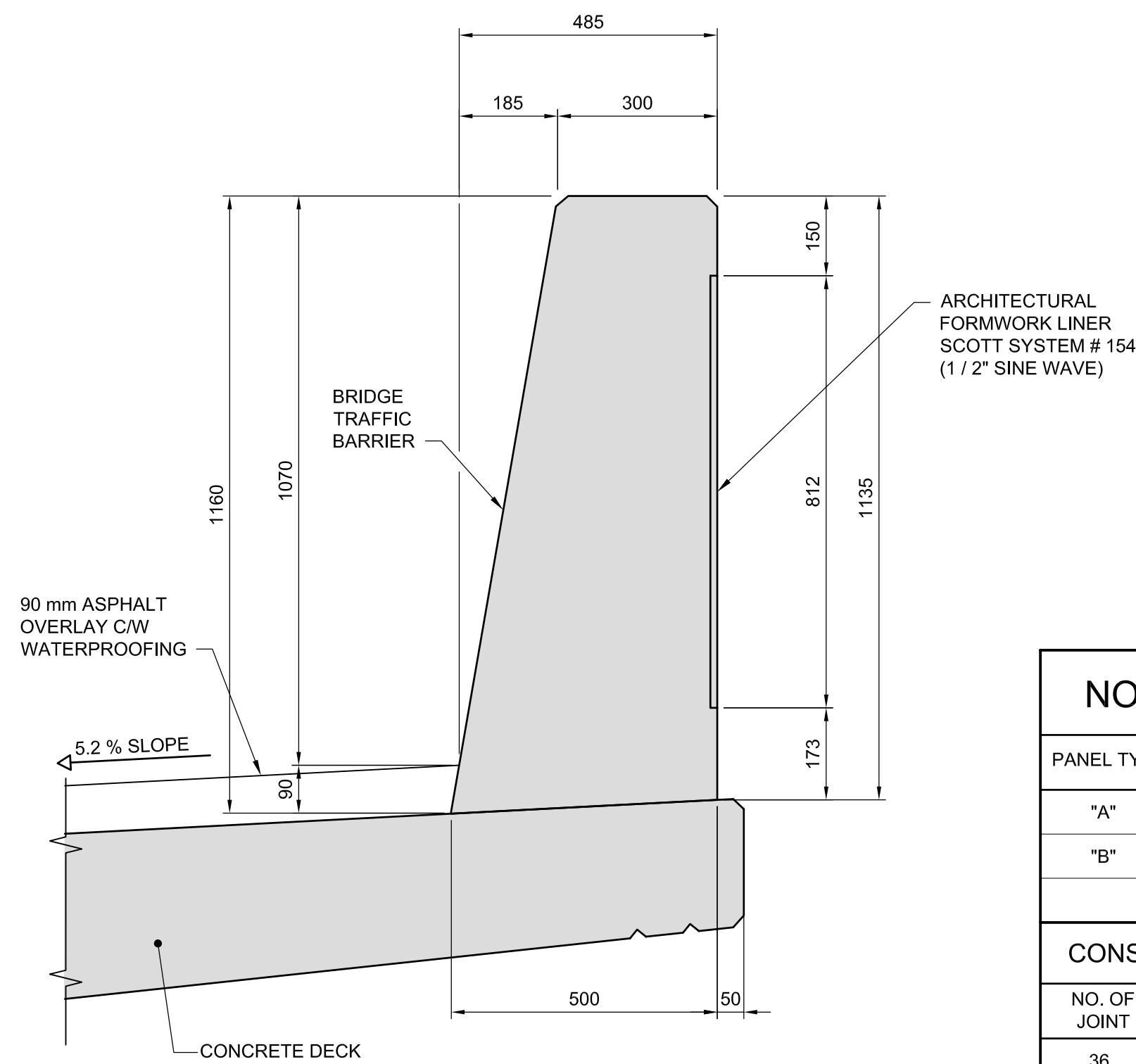


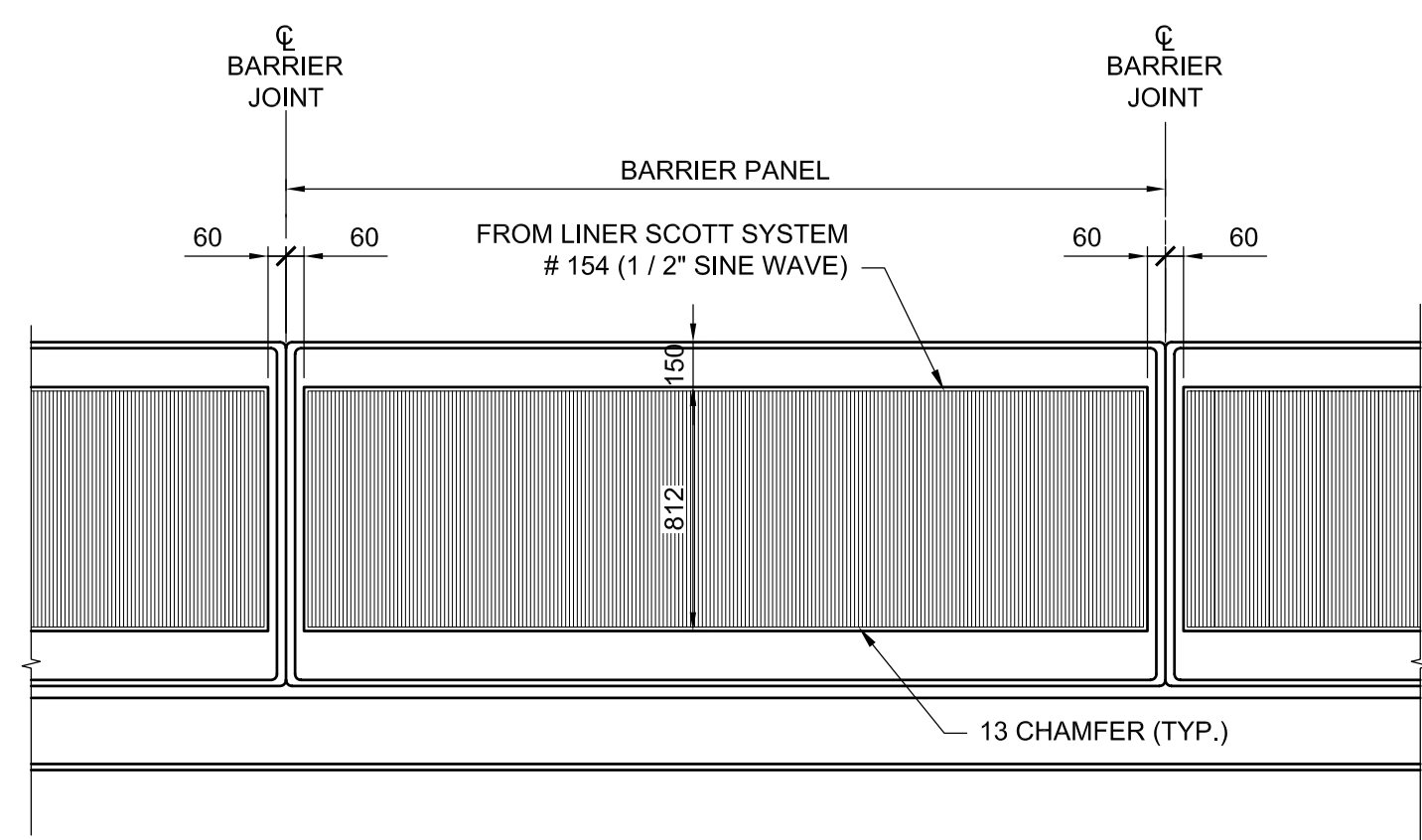
**C SECTION**  
1:10  
NORTH SIDE BRIDGE TRAFFIC BARRIER DETAILS



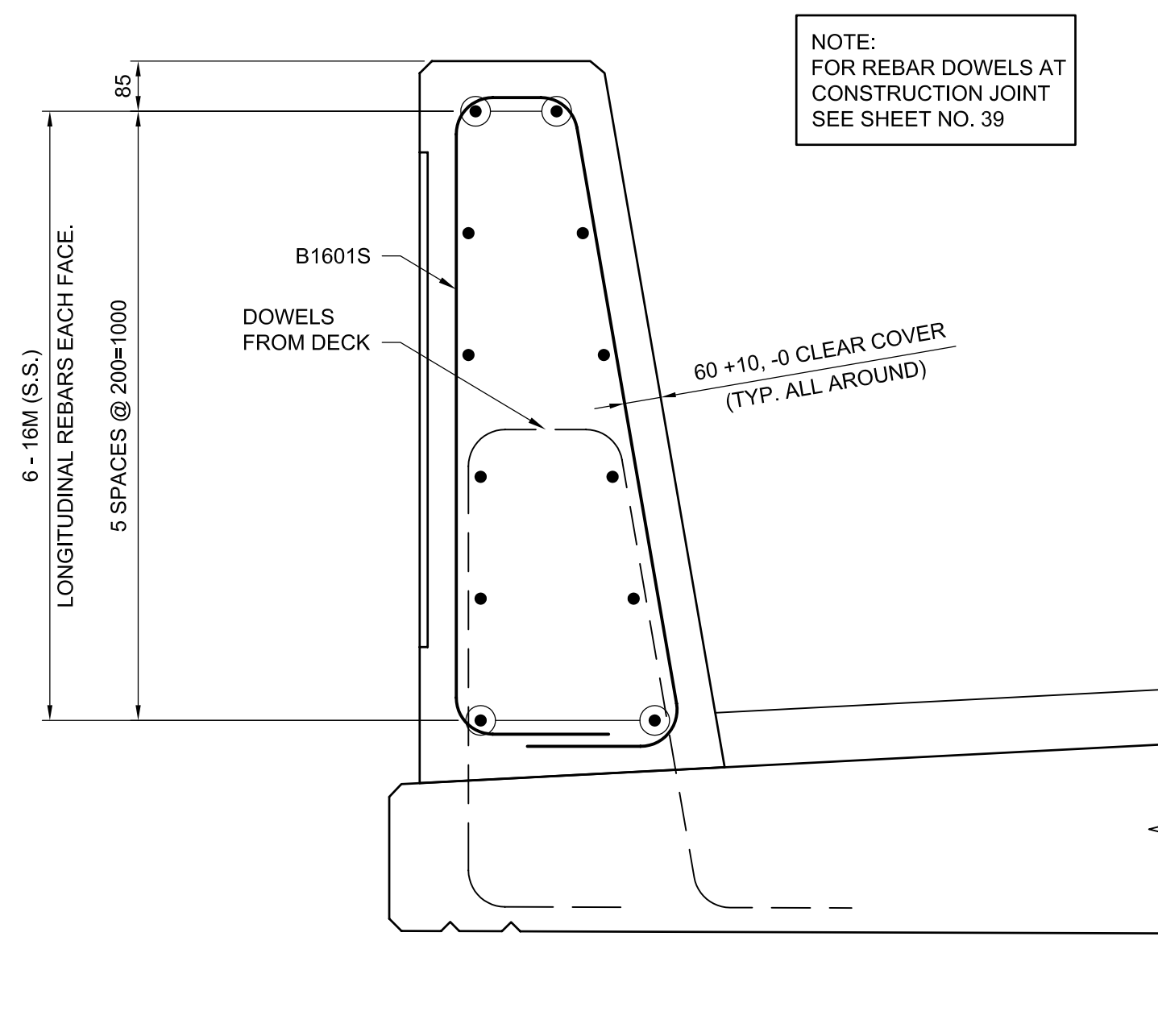
**D SECTION**  
1:10  
SOUTH SIDE BRIDGE TRAFFIC BARRIER DETAILS

NORTH SIDE BRIDGE TRAFFIC BARRIER			
PANEL TYPE	LENGTH ("L")	QUANTITY	REINFORCEMENT (EACH PANEL)
"A"	2988	33	16 - B1601S, 12 - B1602S
"B"	2680	2	15 - B1601S, 12 - B1603S
CONSTRUCTION JOINT DOWELS			
NO. OF JOINT	REBAR DOWELS EACH JOINT		
36	4 - B2501S		

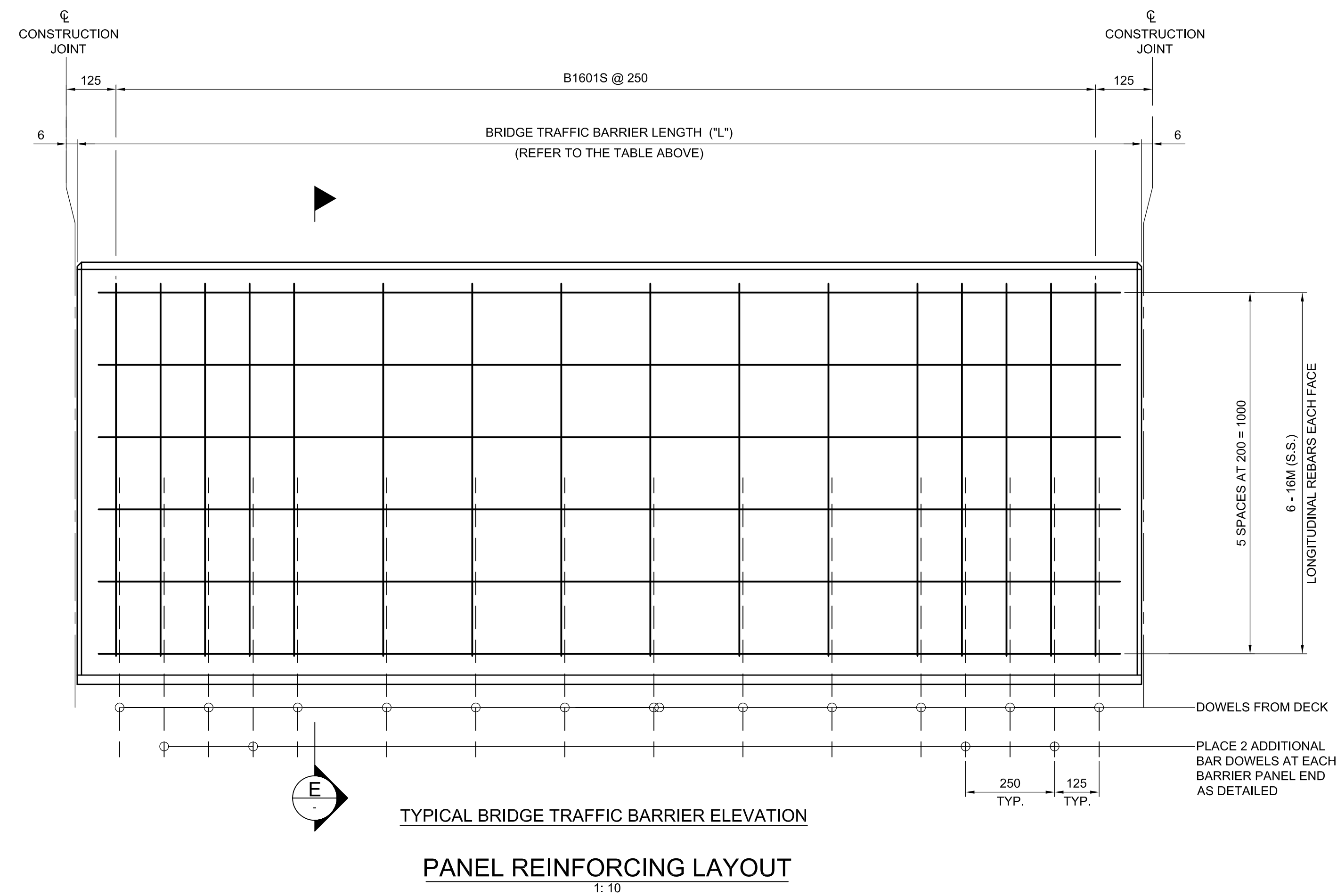
SOUTH SIDE BRIDGE TRAFFIC BARRIER			
PANEL TYPE	LENGTH ("L")	QUANTITY	REINFORCEMENT (EACH PANEL)
"A"	2988	33	16 - B1601S, 12 - B1602S
"C"	3942	2	20 - B1601S, 12 - B1604S
CONSTRUCTION JOINT DOWELS			
NO. OF JOINT	REBAR DOWELS EACH JOINT		
36	4 - B2501S		



**ARCHITECTURAL FEATURE ELEVATION**  
1:25  
BRIDGE TRAFFIC BARRIER SHOWN  
ROADWAY TRAFFIC BARRIER SIMILAR



**E SECTION**  
1:10

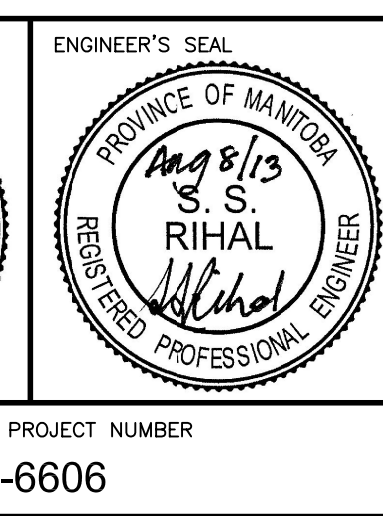
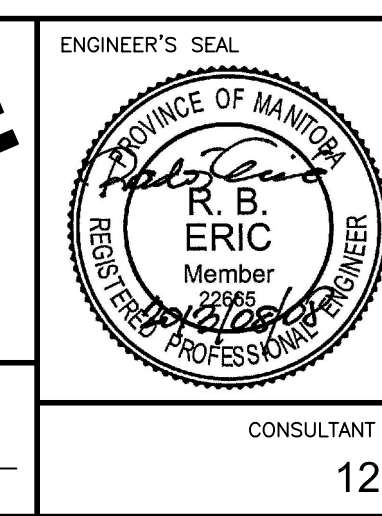


**TYPICAL BRIDGE TRAFFIC BARRIER ELEVATION**  
**PANEL REINFORCING LAYOUT**  
1:10

G:\CAD\126606\Contract\contract\_2\Current\Struct\Concrete Traffic Barrier Details.dwg



UNDERGROUND STRUCTURES		B.M. ELEV.	DESIGNED BY	RE
SUPV. U/G STRUCTURES COMMITTEE	DATE		DRAWN BY	NBG
			CHECKED BY	SSR
			APPROVED BY	MBL
			HOR. SCALE	AS SHOWN
			VERTICAL	
0	ISSUED FOR TENDER	13/08/08	DATE	2013/08/01
NO.	REVISIONS	DATE	BY	DATE



**THE CITY OF WINNIPEG**  
PUBLIC WORKS DEPARTMENT

WAVERLEY WEST ARTERIAL ROADS PROJECT (WWARP) PART 3 - CONTRACT 2  
ROUTE 90 TO ROUTE 165, OVERPASS (KENASTON BLVD.) AND ASSOCIATED WORKS

CITY DRAWING NUMBER: B242-13-40  
SHEET 40 OF 128  
CONSULTANT DRAWING NUMBER

CONSULTANT PROJECT NUMBER: 12-6606  
TRAFFIC BARRIER DETAILS 2 OF 2