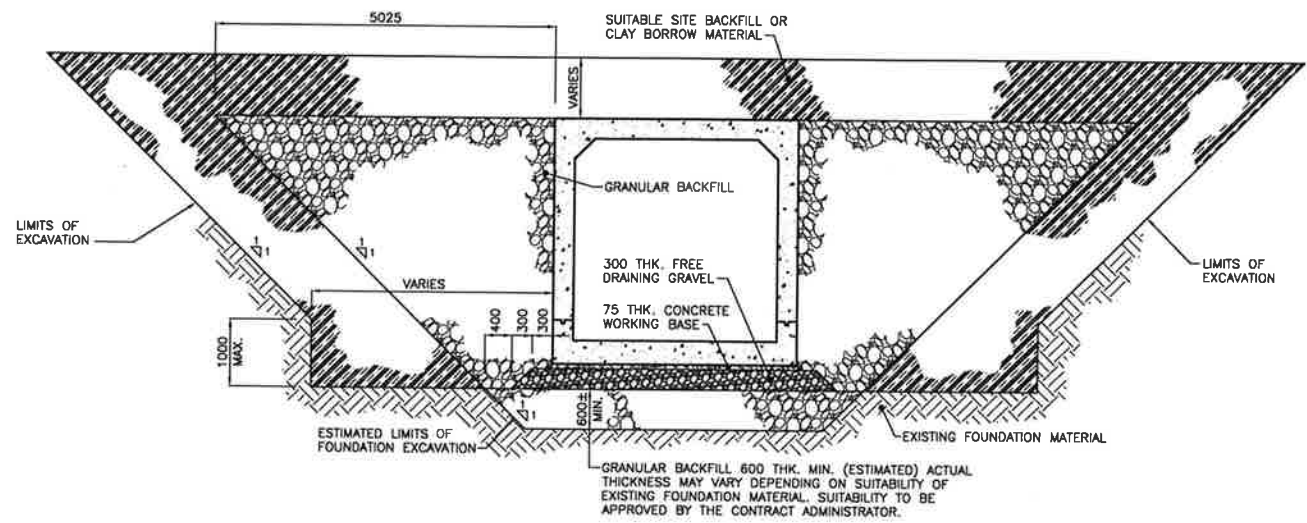
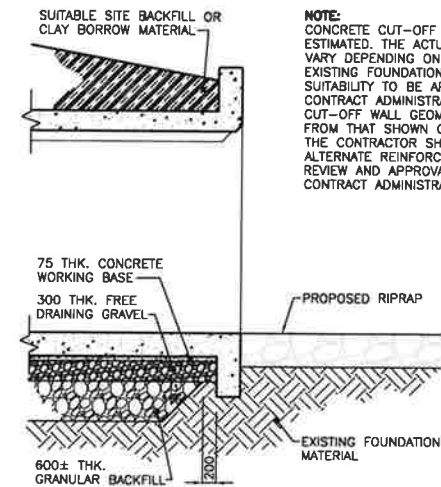


APPENDIX 'B'

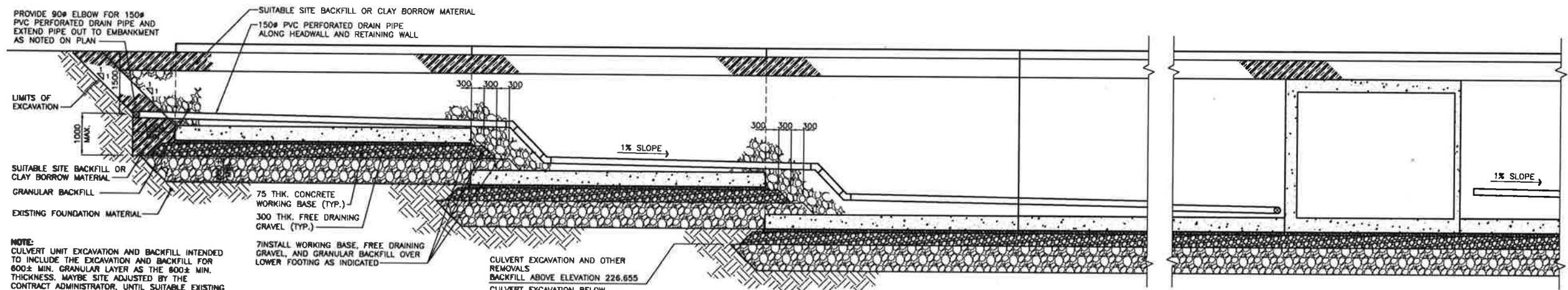
WWARP Part 1 - KENASTON BOULEVARD EXTENSION N.B. LANES CONCRETE CULVERT EXTENSION



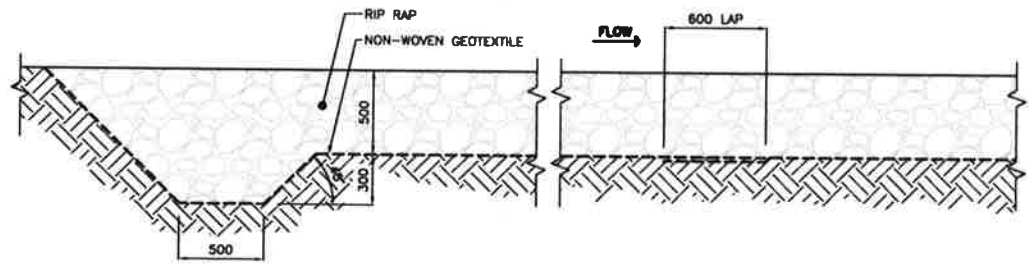
TYP. DETAIL OF CULVERT FILL



DETAIL OF OUTLET FILL



SECTION A-A



EDGE TREATMENT DETAIL

GEOTEXTILE SPLICE DETAIL

RIP RAP DETAILS 1:20

APEGN
 Certificate of Authorization
 Stantec Consulting Ltd.
 No. 1301 Date: _____

LOCATION APPROVED UNDERGROUND STRUCTURES
 SUPV. U/S STRUCTURES COMMITTEE DATE
 NOTE: LOCATION OF UNDERGROUND STRUCTURES AS SHOWN ARE BASED ON THE BEST INFORMATION AVAILABLE BUT NO GUARANTEE IS GIVEN THAT ALL EXISTING UTILITIES ARE SHOWN OR THAT THE GIVEN LOCATIONS ARE EXACT. CONFIRMATION OF EXISTENCE AND EXACT LOCATION OF ALL SERVICES MUST BE OBTAINED FROM THE INDIVIDUAL UTILITIES BEFORE PROCEEDING WITH CONSTRUCTION.

NO.	REVISIONS	DATE	BY
1	ISSUED FOR CONSTRUCTION	11.08.18	K.S.A.
2	ISSUED FOR TENDER	11.07.19	K.S.A.

Stantec Consulting Ltd.
 905 Waverley Street, Winnipeg, Manitoba
 Tel 204-489-5900 Fax 204-453-9012

DESIGNED BY: K.S.A.
 CHECKED BY: B.J.W. / K.S.A.
 DRAWN BY: J.M.G.
 APPROVED BY: K.S.A.

HOR. SCALE: 1:50
 VERTICAL: U.N.O.
 DATE: 09.12.11

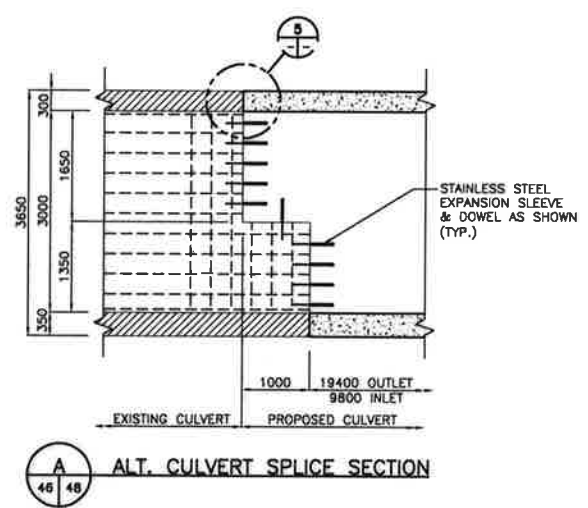
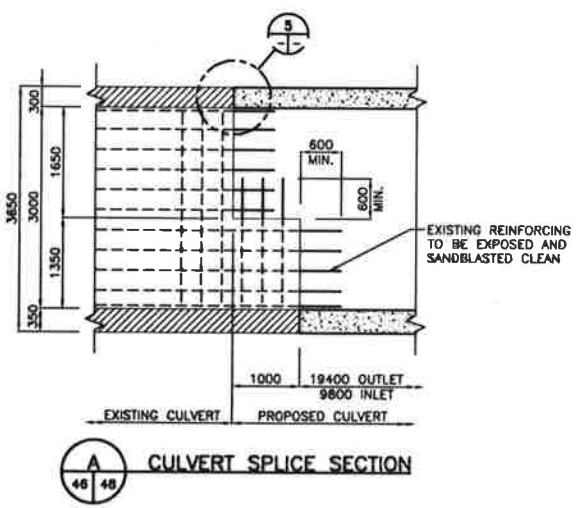
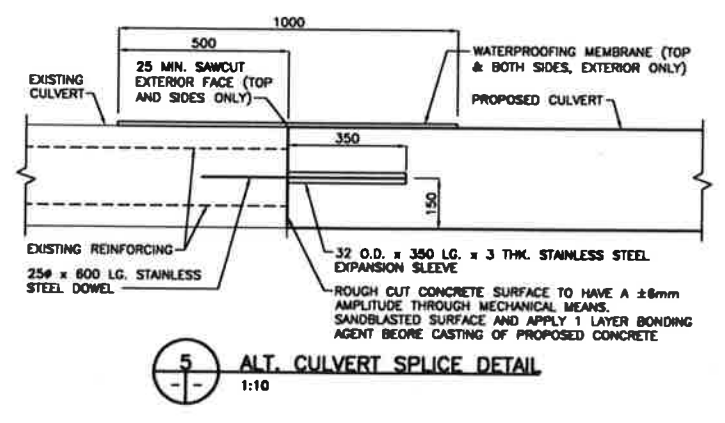
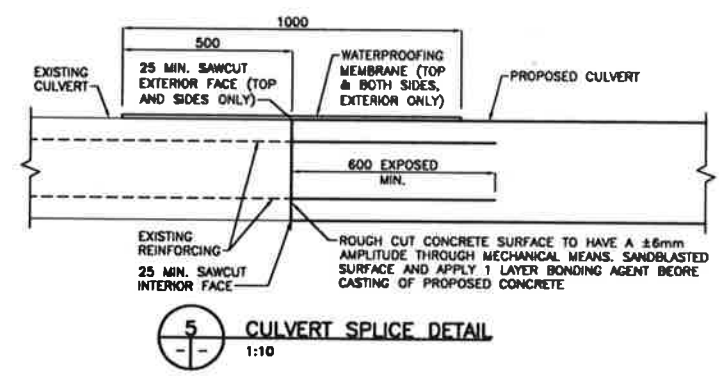
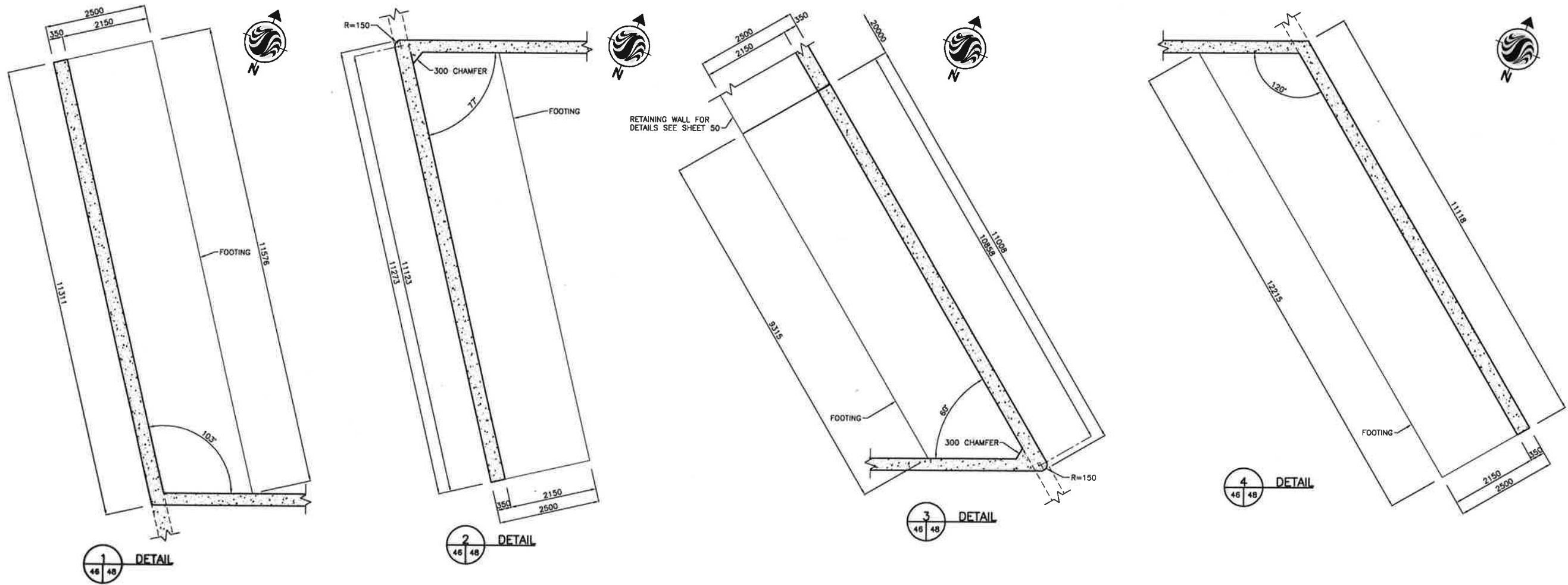
ENGINEER'S SEAL
 ORIGINAL SEALED BY: K.S. AMY
 P. ENG. 2011.05.12
 CONSULTANT DRAWING NO. SS-106

THE CITY OF WINNIPEG
 PUBLIC WORKS DEPARTMENT
 ENGINEERING DIVISION

WWARP PART I
 KENASTON BOULEVARD EXTENSION - N.B. LANES
 NORTH TOWN ROAD TO BISHOP GRANDIN BOULEVARD
 CONCRETE CULVERTS EXTENSION
 EARTHWORK DETAILS - SHEET 2 OF 3

SHEET 44 OF 65
 CAD FILE DRAWING NUMBER: 04840s-106-727.dwg
 CITY DRAWING NUMBER: C375-II-06

W:\1157\warp\1157\04840s-106-727.dwg
 Date: 2011-05-17 11:17:00 AM
 User: kamy



APEGM
Certificate of Authorization
Stantec Consulting Ltd.
No. 1301 Date: _____

LOCATION APPROVED UNDERGROUND STRUCTURES		DATE	
SUPV. U/S STRUCTURES	DATE		
COMMITTEE			
NOTE: LOCATION OF UNDERGROUND STRUCTURES AS SHOWN ARE BASED ON THE BEST INFORMATION AVAILABLE BUT NO GUARANTEE IS GIVEN THAT ALL EXISTING UTILITIES ARE SHOWN OR THAT THE GIVEN LOCATIONS ARE EXACT. CONFIRMATION OF EXISTENCE AND EXACT LOCATION OF ALL SERVICES MUST BE OBTAINED FROM THE INDIVIDUAL UTILITIES BEFORE PROCEEDING WITH CONSTRUCTION.			
NO. REVISIONS	DATE	BY	
1	ISSUED FOR CONSTRUCTION	11.08.18	K.S.A.
0	ISSUED FOR TENDER	11.07.15	K.S.A.

Stantec Consulting Ltd.		ENGINEER'S SEAL	
905 Waverley Street, Winnipeg, Manitoba Tel 204-489-8900 Fax 204-453-9012		ORIGINAL SEALED BY K.S. AMY P. ENG. 2011.05.12	
DESIGNED BY	K.S.A.	CHECKED BY	V.M.M. / K.S.A.
DRAWN BY	J.M.B.	APPROVED BY	K.S.A.
HOR. SCALE: 1:75		RELEASED FOR CONSTRUCTION:	
VERTICAL: U.N.O.		DATE	
DATE 09.12.11		DATE	

CONSULTANT DRAWING NO.
S-103

THE CITY OF WINNIPEG
PUBLIC WORKS DEPARTMENT
ENGINEERING DIVISION

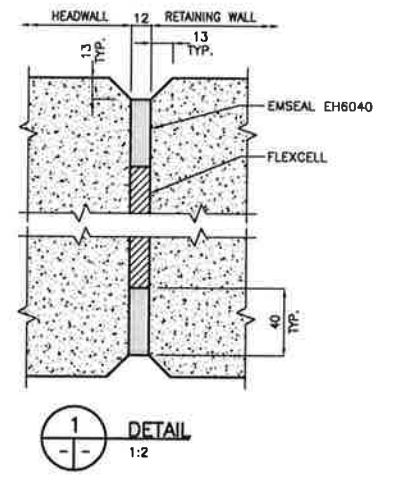
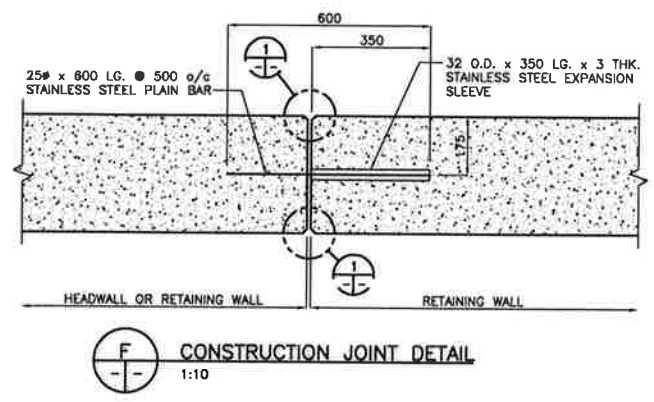
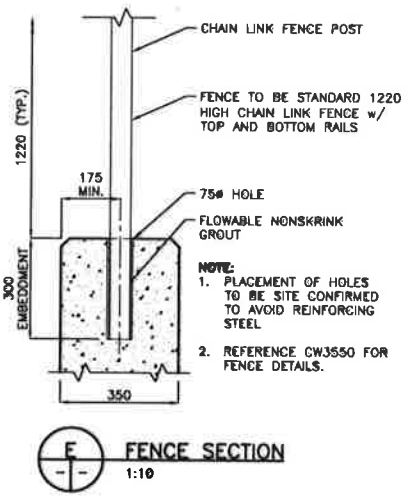
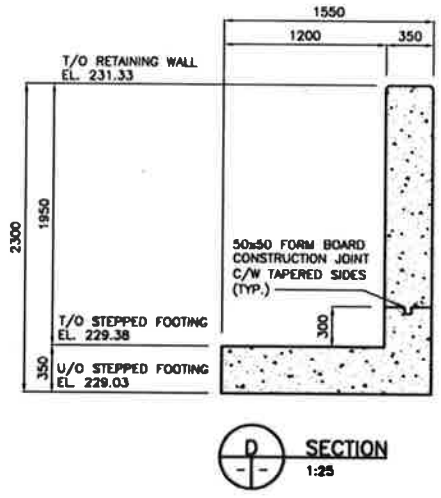
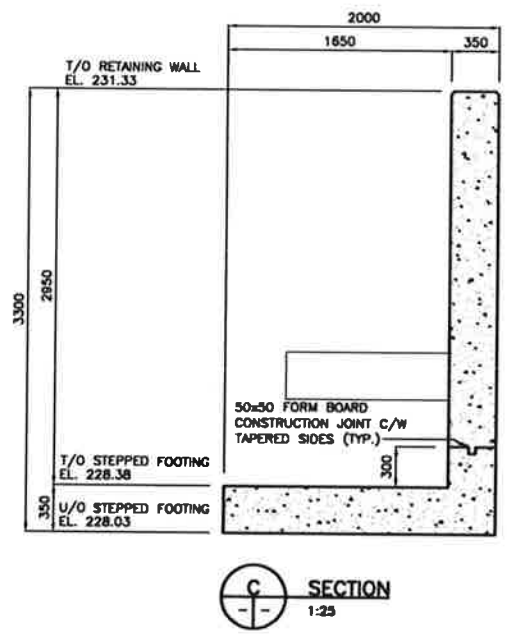
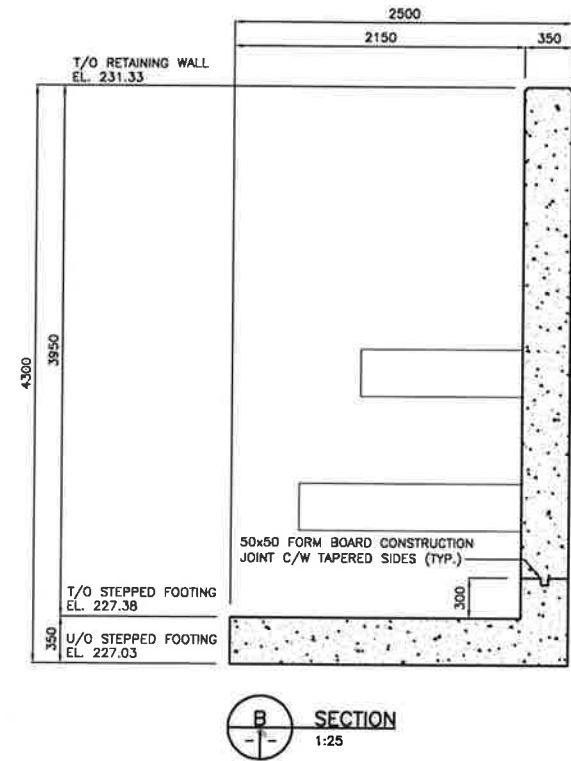
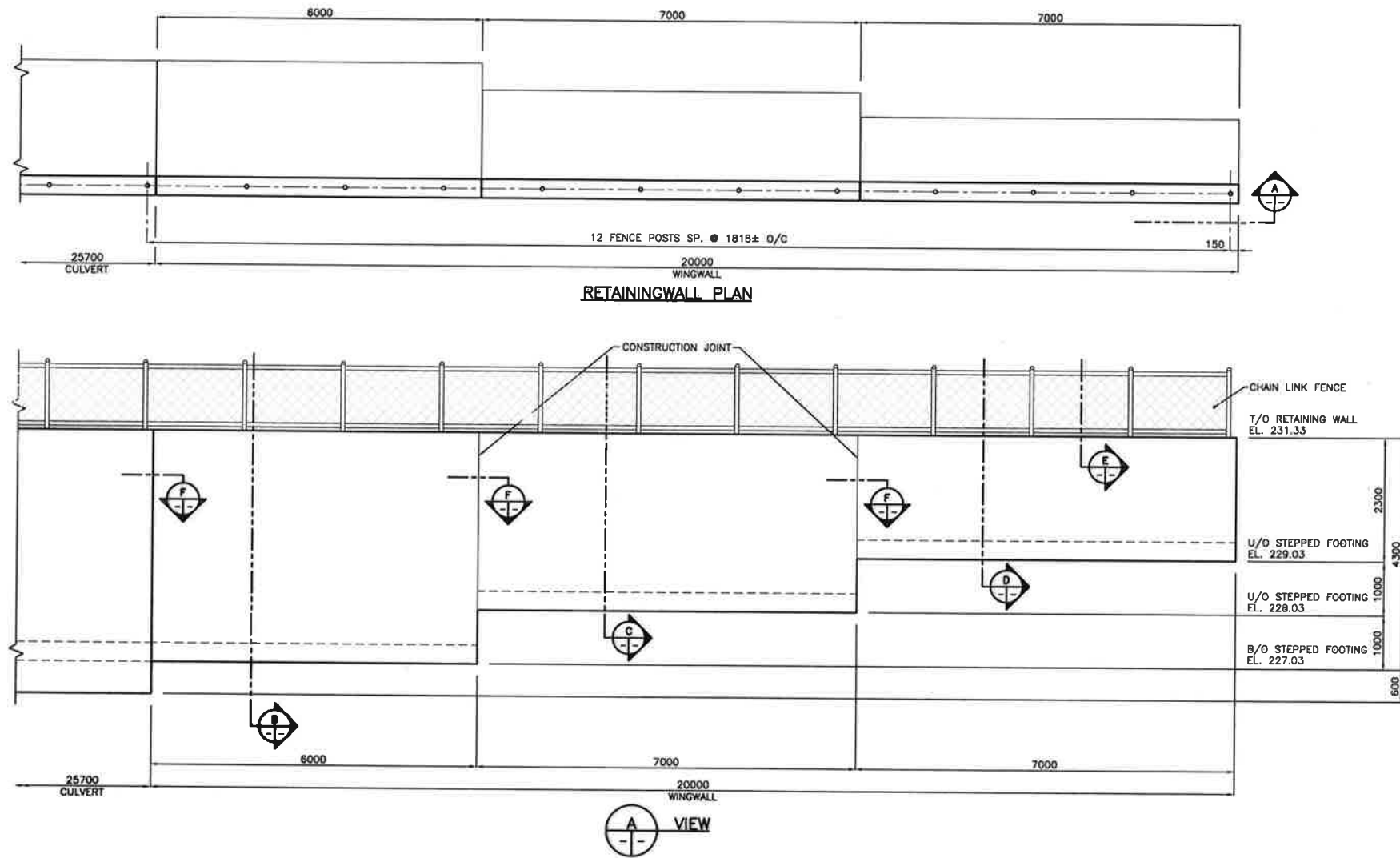
WWARP PART I
KENASTON BOULEVARD EXTENSION - N.B. LANES
NORTH TOWN ROAD TO BISHOP GRANDIN BOULEVARD
CONCRETE PLANS & DETAILS
CONCRETE CULVERT EXTENSION

SHEET OF
48 OF **65**

CAD FILE DRAWING NUMBER
04840a-103-727.dwg

CITY DRAWING NUMBER
C375-II-10

I:\1375\1375-103-727.dwg
 Date: 2011-05-12 12:40:10
 User: kamy



AFCM
Certificate of Authorization
Stantec Consulting Ltd.
No. 1301 Date: _____

LOCATION APPROVED UNDERGROUND STRUCTURES

SUPV. U/O STRUCTURES COMMITTEE	DATE

NOTE:
LOCATION OF UNDERGROUND STRUCTURES AS SHOWN ARE BASED ON THE BEST INFORMATION AVAILABLE BUT NO GUARANTEE IS GIVEN THAT ALL EXISTING UTILITIES ARE SHOWN OR THAT THE GIVEN LOCATIONS AND EXACT CONFIGURATION OF EXISTENCE AND EXACT LOCATION OF ALL SERVICES MUST BE OBTAINED FROM THE INDIVIDUAL UTILITIES BEFORE PROCEEDING WITH CONSTRUCTION.

NO.	REVISIONS	DATE	BY
1	ISSUED FOR CONSTRUCTION	11.08.18	K.S.A.
2	ISSUED FOR TENDER	11.07.19	K.S.A.

Stantec Consulting Ltd.
905 Waverley Street, Winnipeg, Manitoba
Tel: 204-489-3900 Fax: 204-453-9012

DESIGNED BY: K.S.A.	CHECKED BY: V.M.M. / K.S.A.
DRAWN BY: J.M.B.	APPROVED BY: K.S.A.

HOR. SCALE: 1:50
VERTICAL: U.N.O.
DATE: 2010.01.04

ENGINEER'S SEAL
ORIGINAL SEALED BY: K.S. AMY, P. ENG. 2011.05.12
CONSULTANT DRAWING NO. S-105

THE CITY OF WINNIPEG
PUBLIC WORKS DEPARTMENT
ENGINEERING DIVISION

Winnipeg

WWARP PART I
KENASTON BOULEVARD EXTENSION - N.B. LANES
NORTH TOWN ROAD TO BISHOP GRANDIN BOULEVARD
RETAINING WALL CONCRETE DETAILS
CONCRETE CULVERT EXTENSION

SHEET 50 OF 65
CAD FILE DRAWING NUMBER 04840s-105-727.dwg
CITY DRAWING NUMBER C375-II-12

H:\1177\1177.dwg (11/23/2010 11:05:00 AM) User: jk...
 2011-05-11 08:00:00 By: jk...