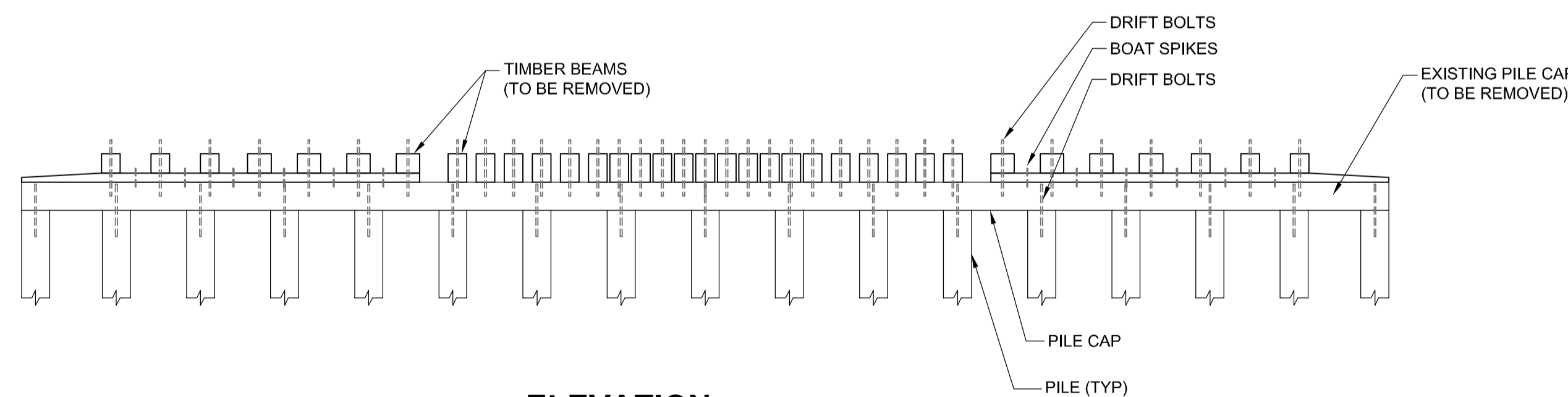
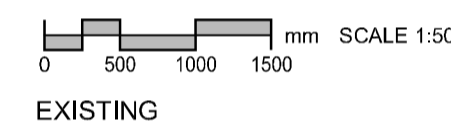
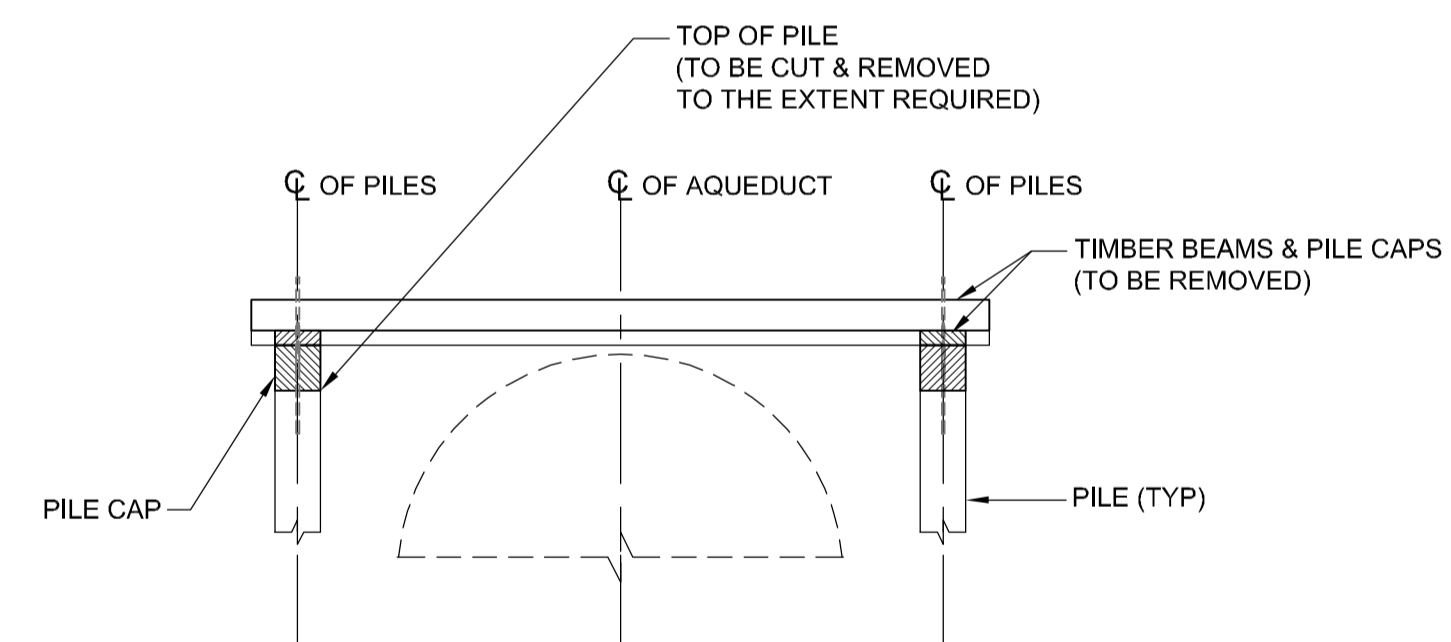
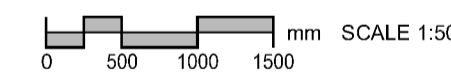


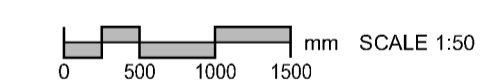
PLAN



ELEVATION



END ELEVATION



NOTES:

1. THE CONTRACTOR TO CONFIRM LOCATION OF AQUEDUCT PIPE BY HAND EXCAVATION OR SOFT DIG METHODS PRIOR TO CONSTRUCTION
2. THE CONTRACTOR IS TO EXERCISE EXTREME CARE TO PREVENT DAMAGE TO THE GWWD AQUEDUCT. ANY DAMAGE TO THE GWWD AQUEDUCT SHALL BE REPORTED TO THE CITY OF WINNIPEG WATER & WASTE DEPARTMENT 24 HOUR EMERGENCY LINE (204) 986-5000.
3. SEE SPECIFICATIONS FOR TRACK REMOVAL AND TIMBER BEAMS / PILE CAP REMOVAL PROCEDURE.
4. THIS DRAWING IS PROVIDED FOR INFORMATION ONLY. THE ACTUAL EXISTING CONDITION MAY DIFFER.
5. REMOVE THE TRACK TO THE EXTENT NECESSARY TO CONSTRUCT THE BRIDGING STRUCTURE.
6. REFER TO THE APPENDIX FOR THE EXISTING DRAWINGS.

METRIC

WHOLE NUMBERS INDICATE MILLIMETRES
DECIMALIZED NUMBERS INDICATE METRES

BM	00-000		
ELEV	200.000m		
C	ISSUED FOR TENDER	13/06/04	KC
B	ISSUED FOR TENDER	11/07/04	EDM
A	ISSUED FOR REVIEW	11/05/27	KC
NO.	REVISIONS	YYMMDD	BY

AECOM			
DESIGNED BY	AP	CHECKED BY	SBB
DRAWN BY	EDM	APPROVED BY	EBL
HOR. SCALE	AS SHOWN	RELEASED FOR CONSTRUCTION	
VERT. SCALE	AS SHOWN		
DATE	D/M/Y	DATE	

PROFESSIONAL'S SEAL
PROVINCE OF MANITOBA
P. Pochanart
P. POCHANART
Member
30017
2013-06-04
REGISTERED PROFESSIONAL ENGINEER

BID OPPORTUNITY NO. 498-2013

THE CITY OF WINNIPEG
WATER & WASTE DEPARTMENT
ENGINEERING DIVISION

GWWD AQUEDUCT BRIDGING STRUCTURE
AT MILE 13.19
SITUATION PLAN

CITY DRAWING NUMBER	D-12474
SHEET	3 OF 7
DRAWING No.	03
REV	C