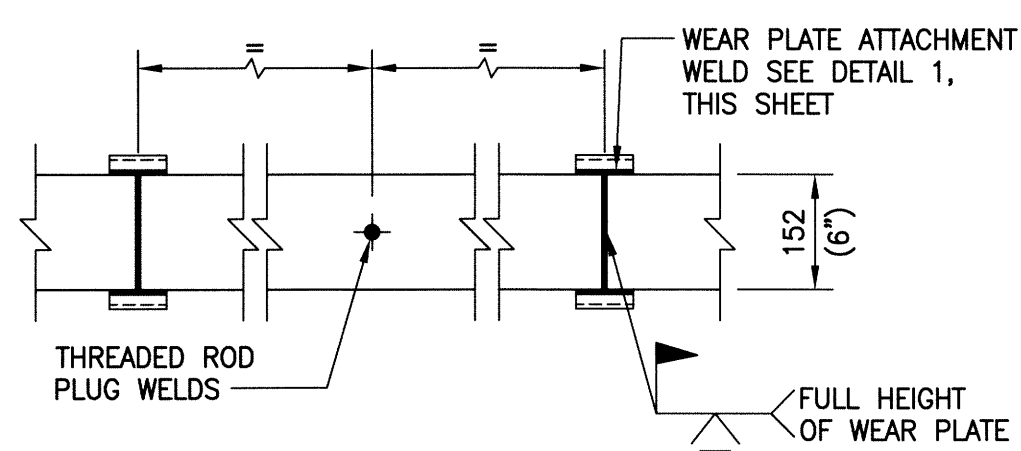
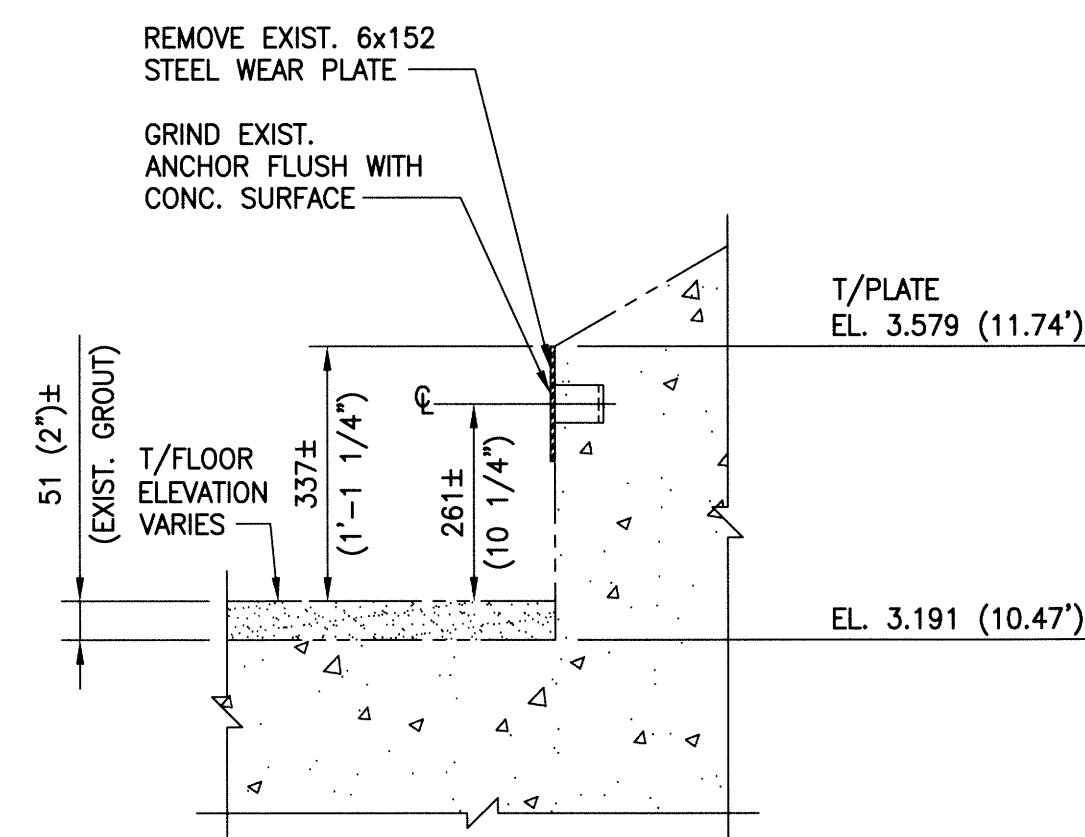


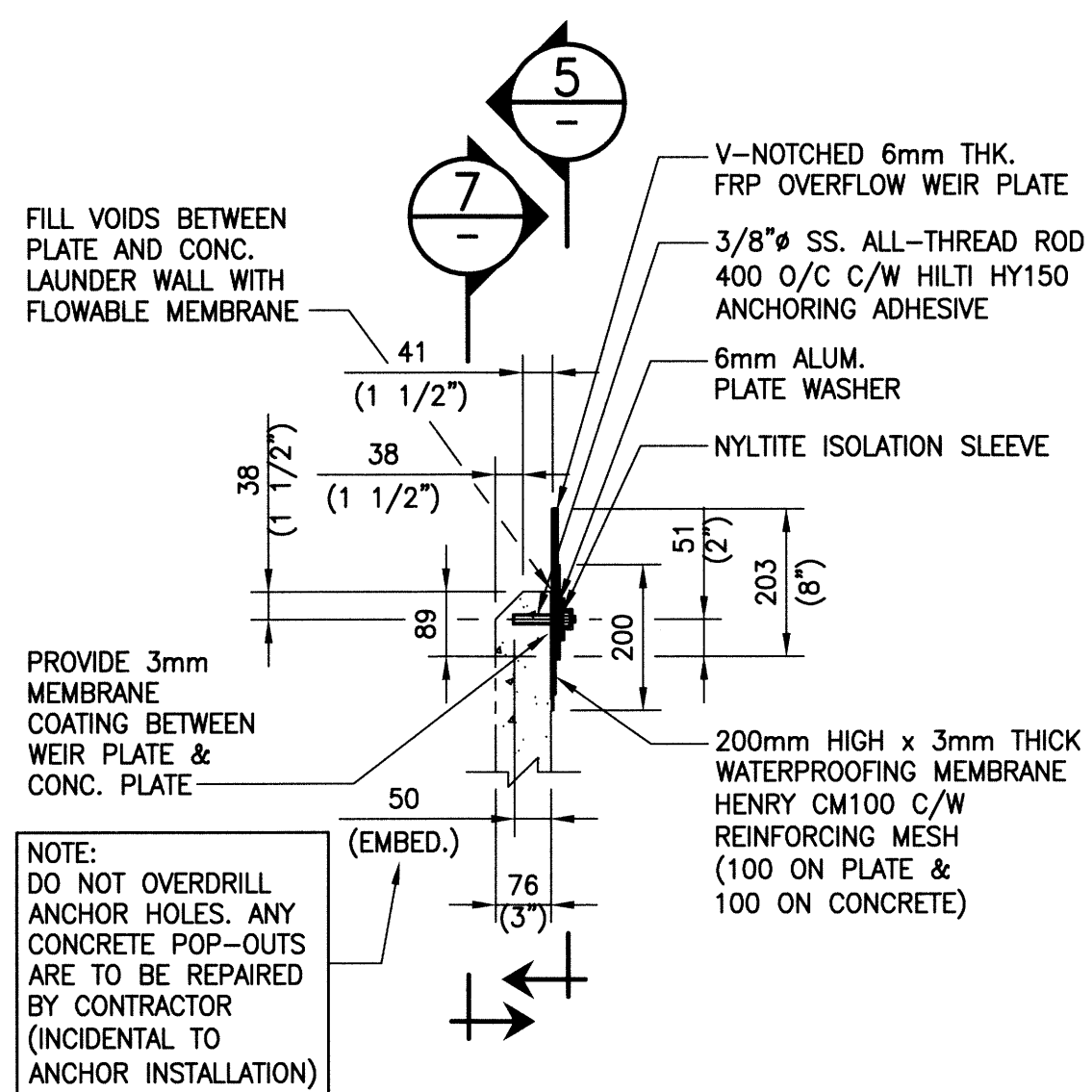
1
S13
**DETAIL - WEAR PLATE
STRAIGHT PORTION OF WALL**
SCALE: 1:10



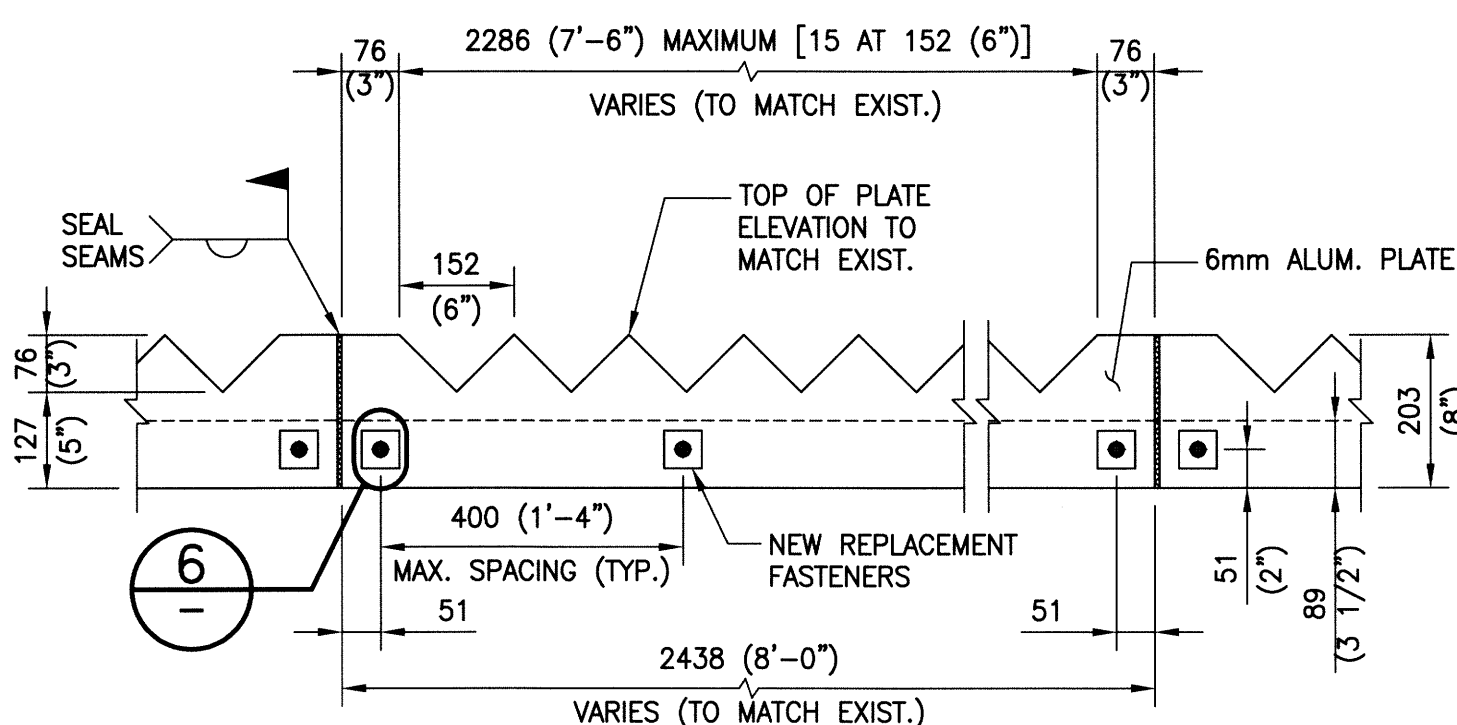
2
S13
**DETAIL - WEAR PLATE
CORNER PORTION OF WALL (EXIST.)**
SCALE: 1:10



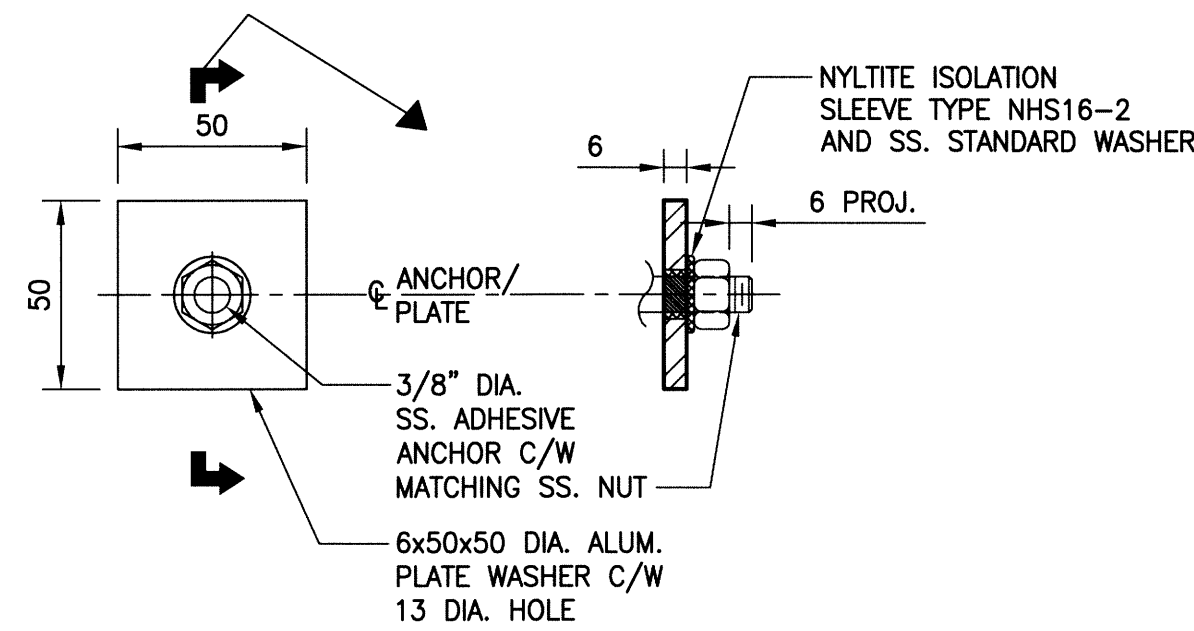
3
S13
**DETAIL - WEAR PLATE
CORNER PORTION OF WALL (NEW)**
SCALE: 1:10



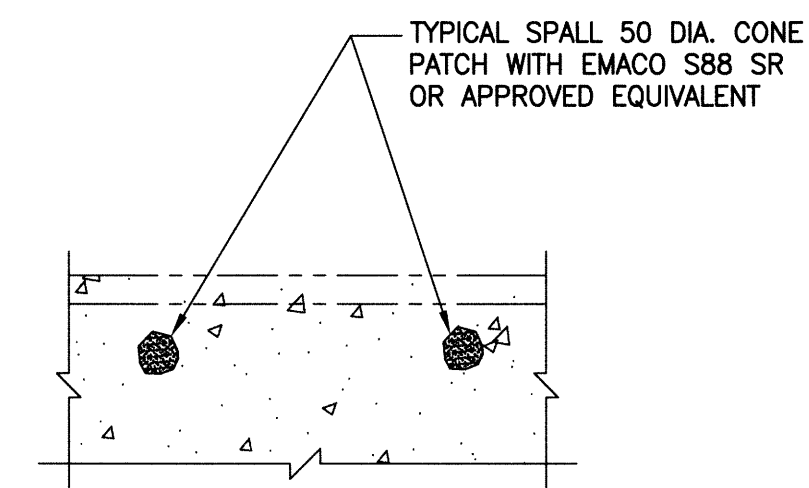
4
S13
DETAIL - OVERFLOW WEIR PLATE
SCALE: 1:10



5
**DETAIL -
TYPICAL OVERFLOW WEIR PLATE**
SCALE: 1:10



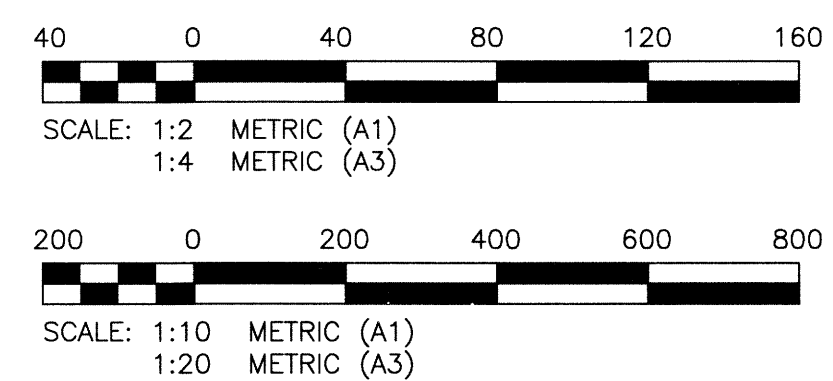
6
DETAIL - PLATE WASHERS
SCALE: 1:2



7
DETAIL - SPALL REPAIRS
SCALE: 1:10

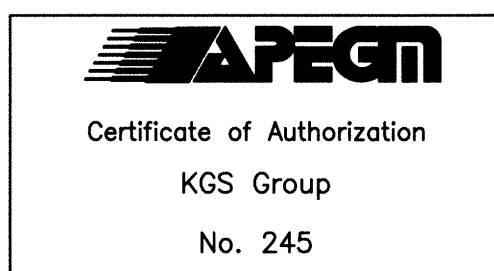
NOTES:

1. WORK THIS DRAWING IN COMBINATION WITH THE PROJECT SPECIFICATIONS.
2. REFER TO DWG. S12 FOR GENERAL NOTES.
3. REFER TO CLARIFIER PLANS TO DETERMINE QUANTITIES.



METRIC

WHOLE NUMBERS INDICATE MILLIMETRES
DECIMALIZED NUMBERS INDICATE METRES



FIELD BOOK #		KGS GROUP CONSULTING ENGINEERS		ENGINEER'S SEAL C.M. SIEPMAN Member 20813 REGISTERED PROFESSIONAL ENGINEER	
POSTED TO LBIS		DESIGNED BY KRD	CHECKED BY CMS	S14	
		DRAWN BY FBV	APPROVED BY		
		HDR. SCALE AS NOTED	RELEASED FOR CONSTRUCTION		
0 ISSUED FOR CONSTRUCTION	13/06/13	VERTICAL AS NOTED	DATE 2013 04 18		
NO. REVISIONS	DATE	BY	DATE		

THE CITY OF WINNIPEG
WATER AND WASTE DEPARTMENT

NEWPCC
SECONDARY CLARIFIERS 1 TO 6 REHABILITATION
WEIR & WEAR PLATES
DETAILS

SHEET 4 OF 9
CITY DRAWING NUMBER
1-0101S-S0014-001