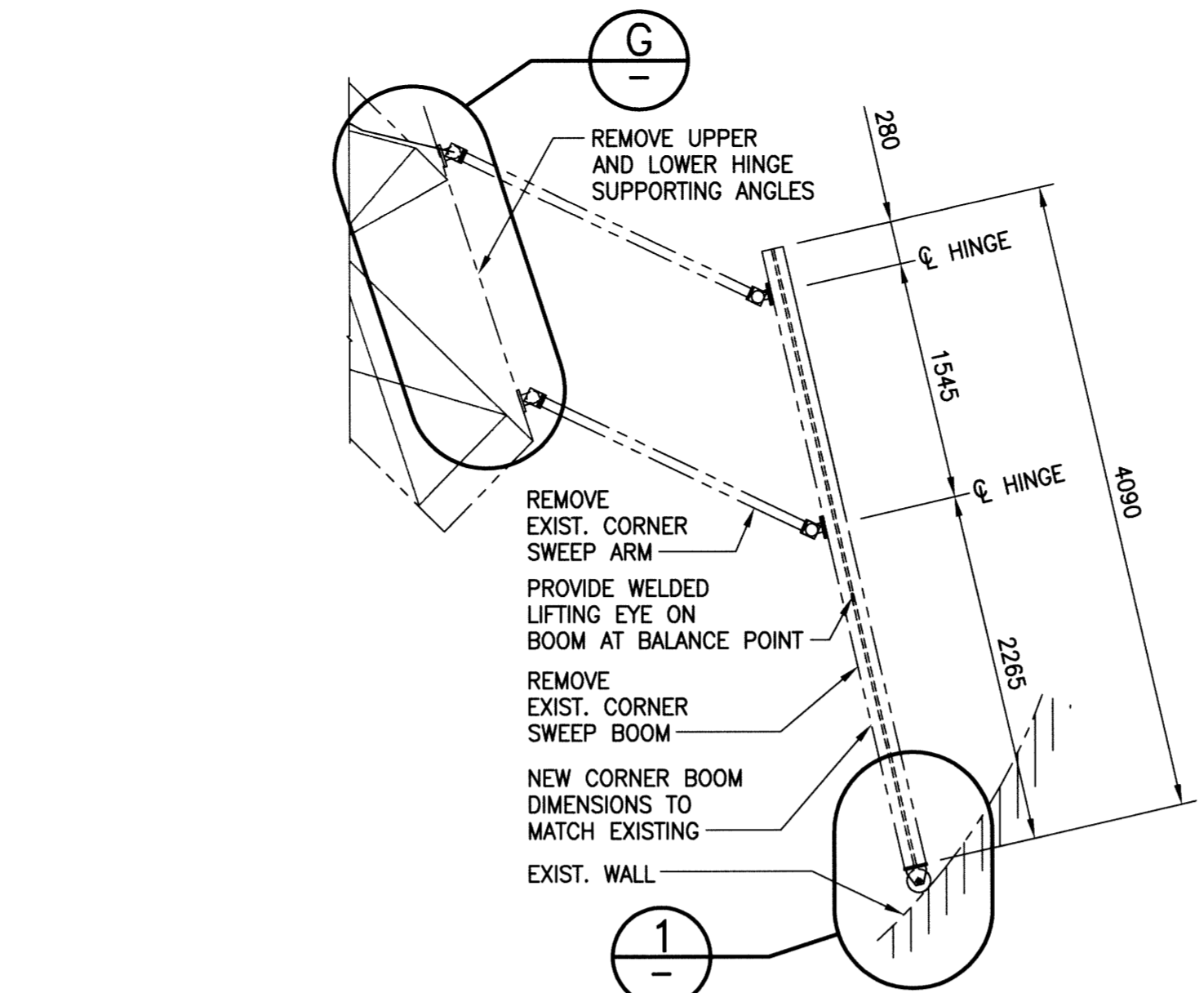
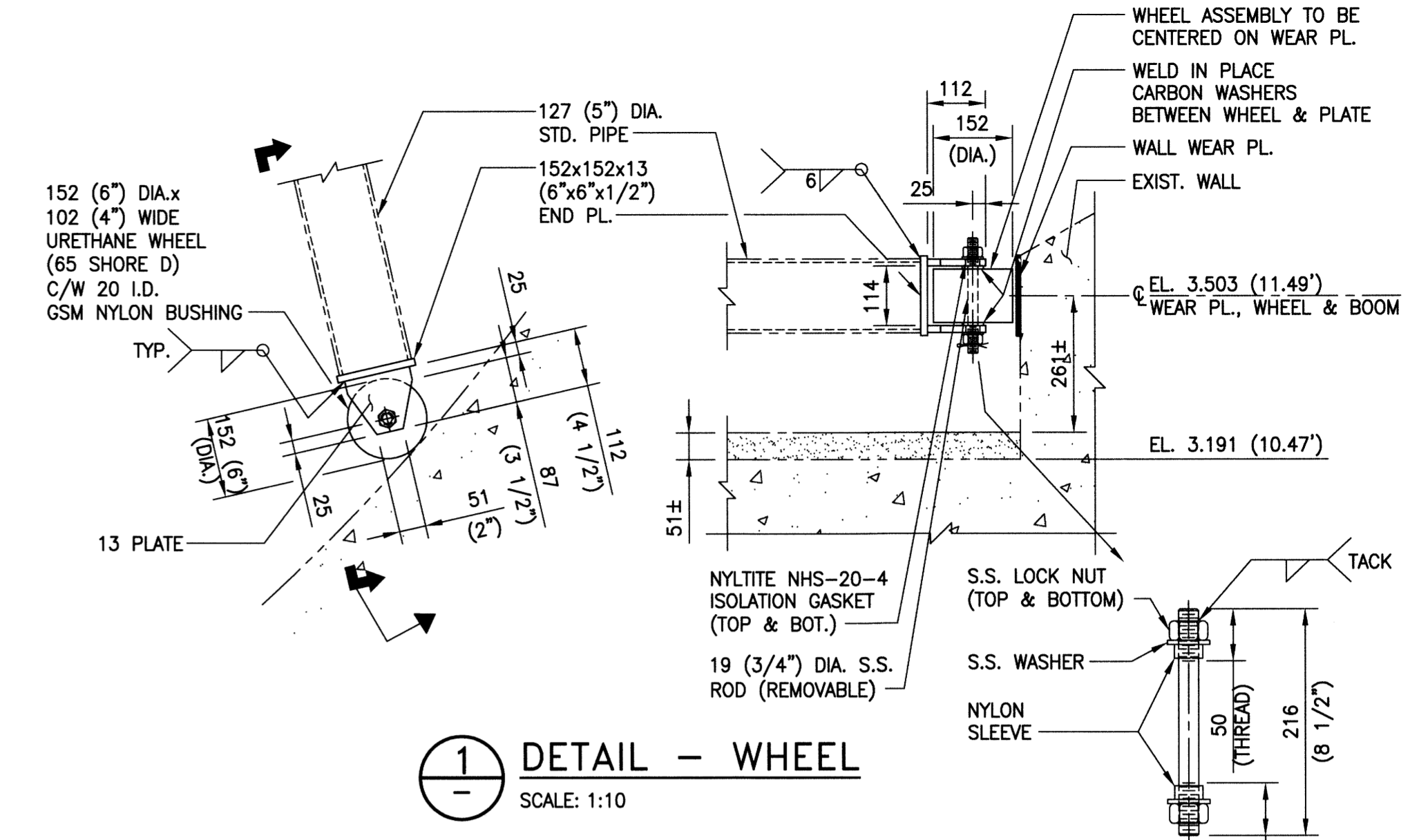


PLAN - SLUDGE COLLECTOR
SCALE: 1:100

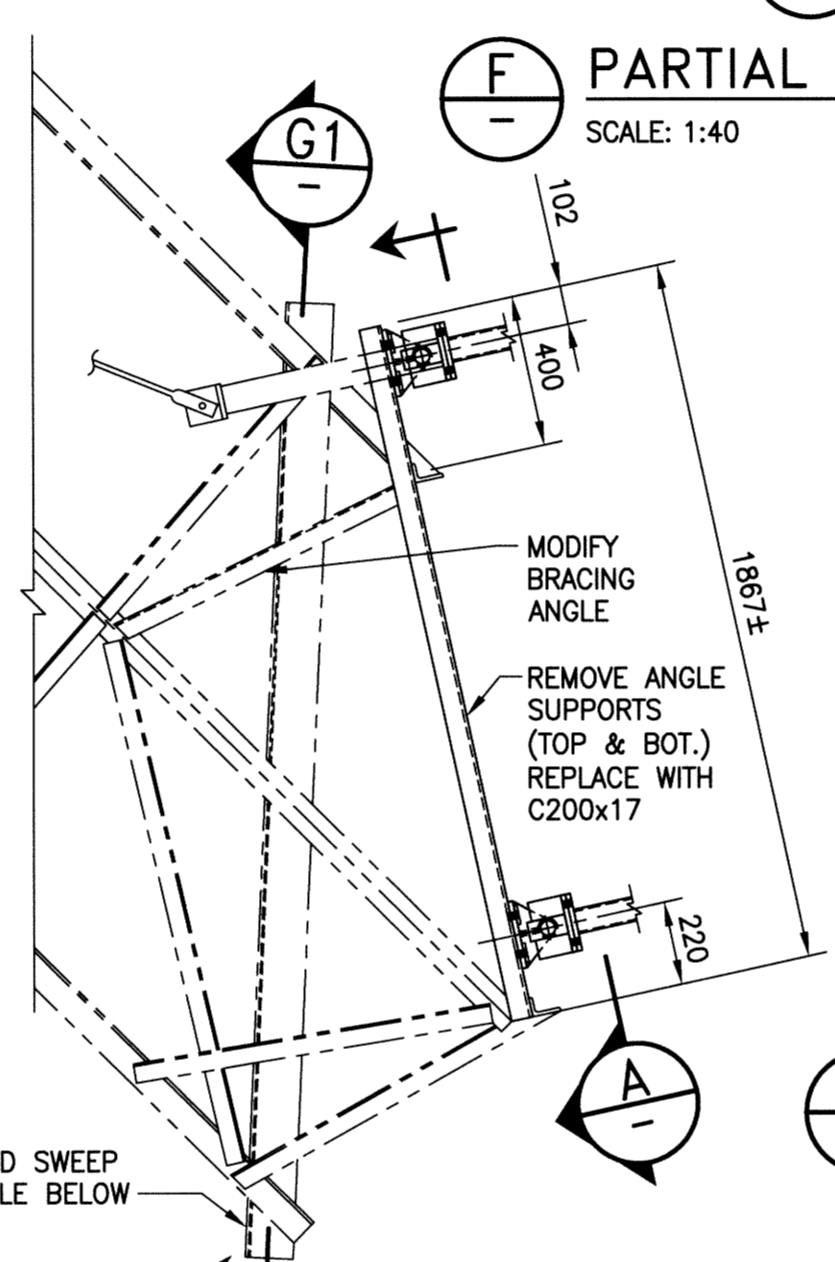


PARTIAL PLAN - CORNER SWEEP (EXIST.)
SCALE: 1:40

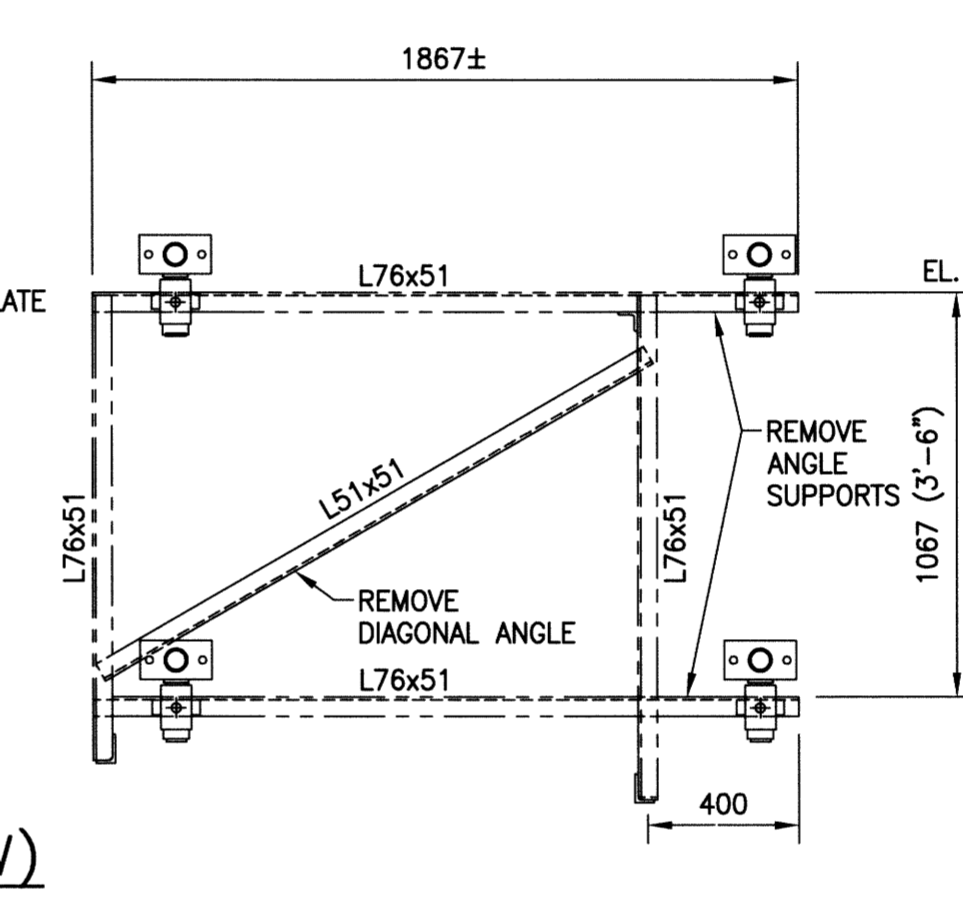


1 - WHEEL
SCALE: 1:10

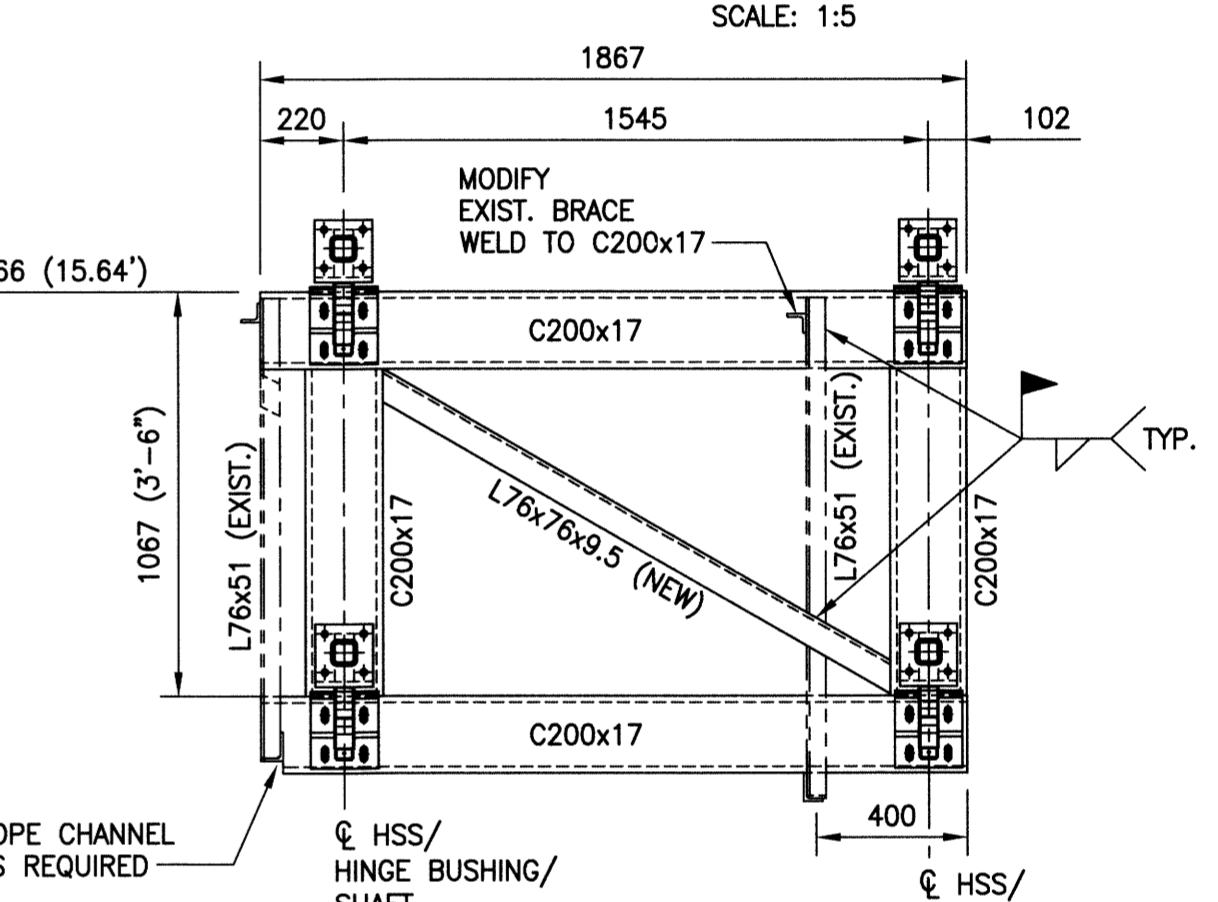
WHEEL SHAFT
SCALE: 1:5



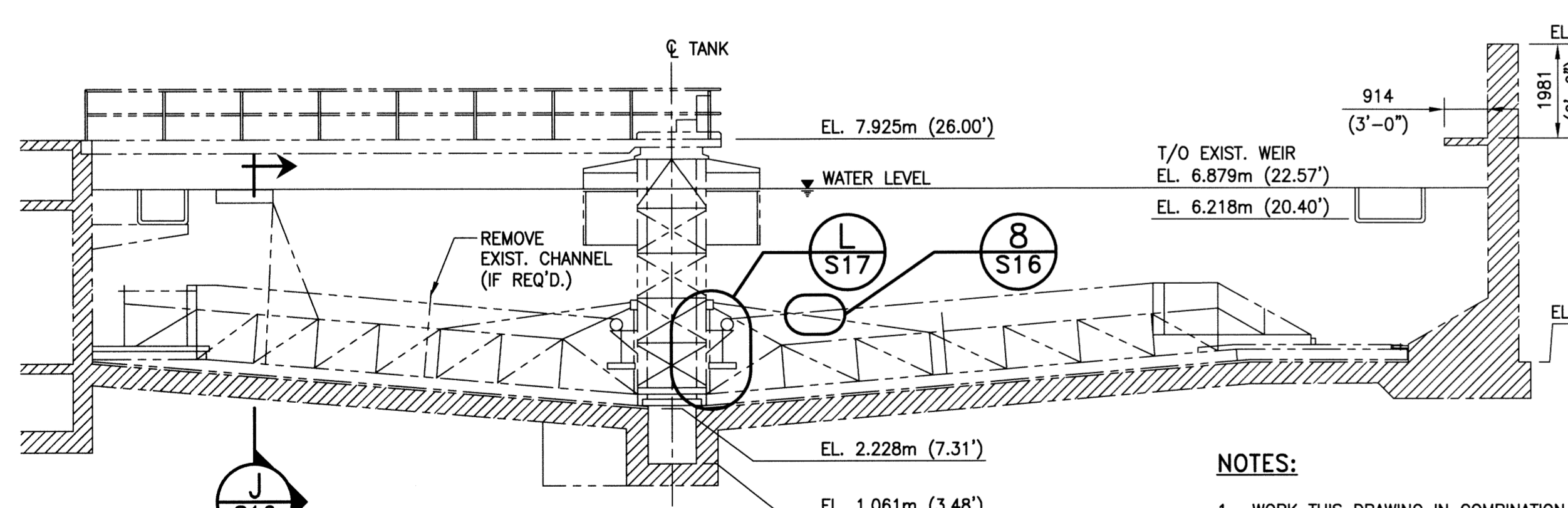
DETAIL - SQUEEGEE (NEW)
SCALE: 1:20



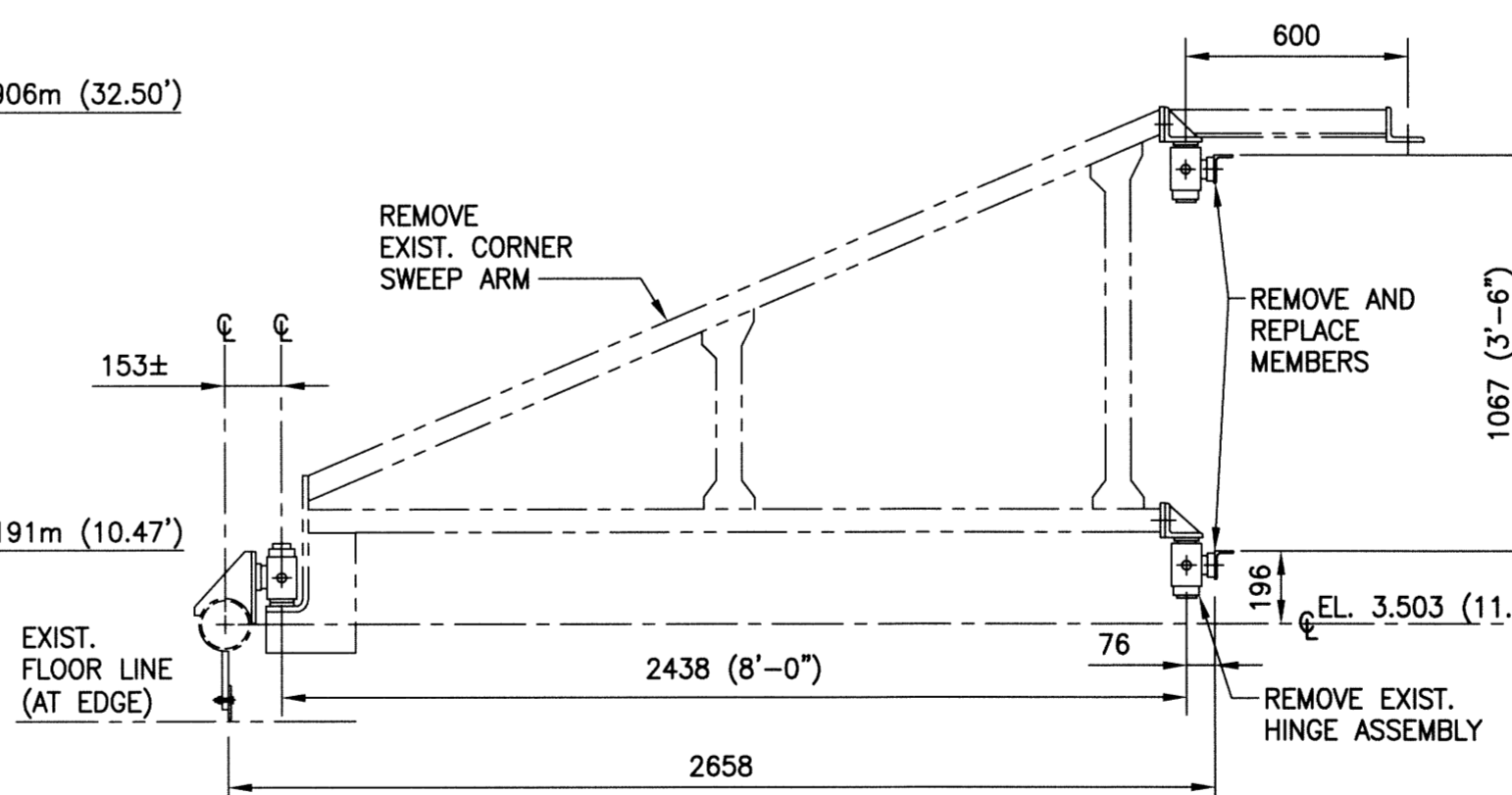
A1 - PIVOT SUPPORT MEMBERS (EXIST.)
SCALE: 1:20



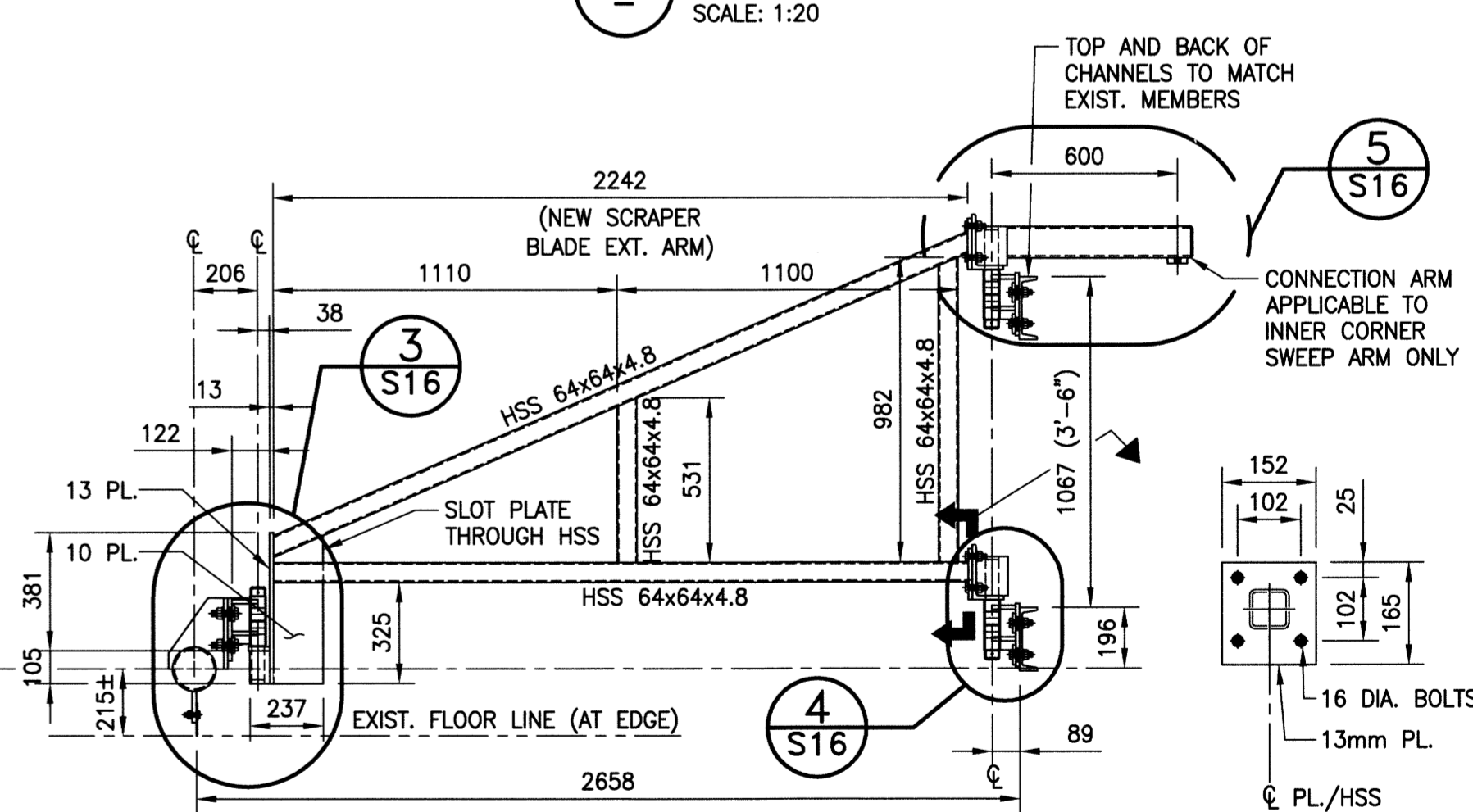
A1 - PIVOT SUPPORT MEMBERS (NEW)
SCALE: 1:20



E - SECTION - SLUDGE COLLECTOR
SCALE: 1:100

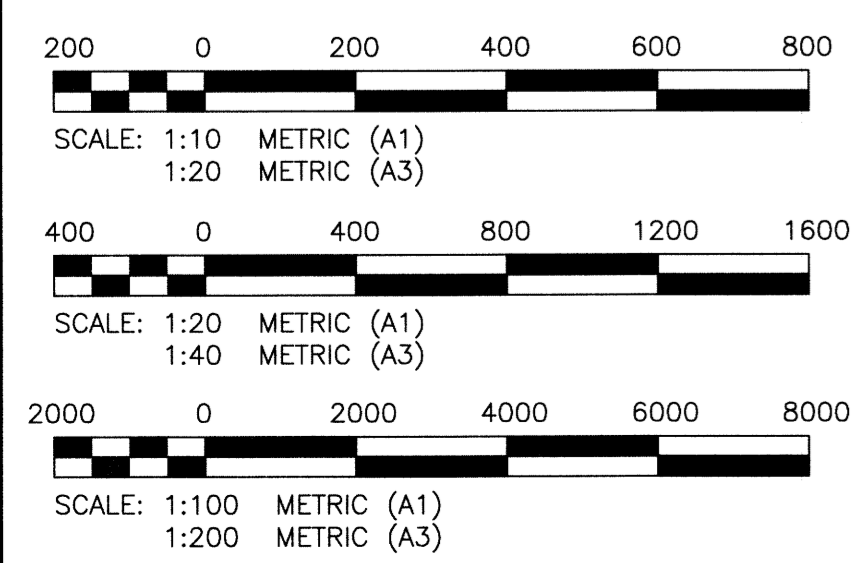


H - SECTION - CORNER SWEEP ARM (EXIST.)
SCALE: 1:20

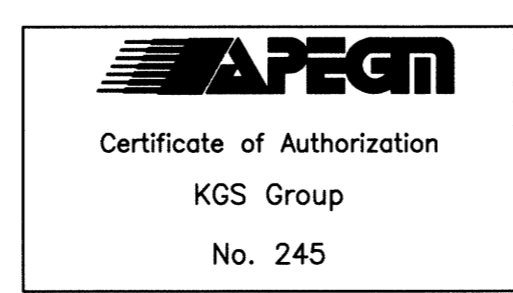


H - SECTION - CORNER SWEEP ARM (NEW)
SCALE: 1:20

- NOTES:**
1. WORK THIS DRAWING IN COMBINATION WITH THE PROJECT SPECIFICATIONS.
 2. REFER TO DWG. S12 FOR GENERAL NOTES.
 3. REPAIR LOCATIONS, DIMENSIONS AND QUANTITIES ARE APPROXIMATE AND ARE TO BE FIELD CONFIRMED BY THE CONTRACTOR AND APPROVED BY THE CONTRACT ADMINISTRATOR.



METRIC
WHOLE NUMBERS INDICATE MILLIMETRES
DECIMALIZED NUMBERS INDICATE METRES



FIELD BOOK #:		KGS GROUP CONSULTING ENGINEERS	
POSTED TO LBIS	DESIGNED BY KRD	CHECKED BY CMS	ENGINEER'S SEAL
	DRAWN BY FBV	APPROVED BY	C.M. SIEPMAN Member 2015 Professional Engineer
	HDR. SCALE: AS NOTED	RELEASED FOR CONSTRUCTION	
0 ISSUED FOR CONSTRUCTION	13/06/13	VERTICAL: AS NOTED	S15
NO. REVISIONS	DATE	BY	DATE 2013 04 18

THE CITY OF WINNIPEG
WATER AND WASTE DEPARTMENT

NEWPCC
SECONDARY CLARIFIERS 1 TO 6 REHABILITATION
SLUDGE COLLECTOR
PLAN, SECTIONS & DETAILS

SHEET 5 OF 9
CITY DRAWING NUMBER
1-0101S-S0015-001