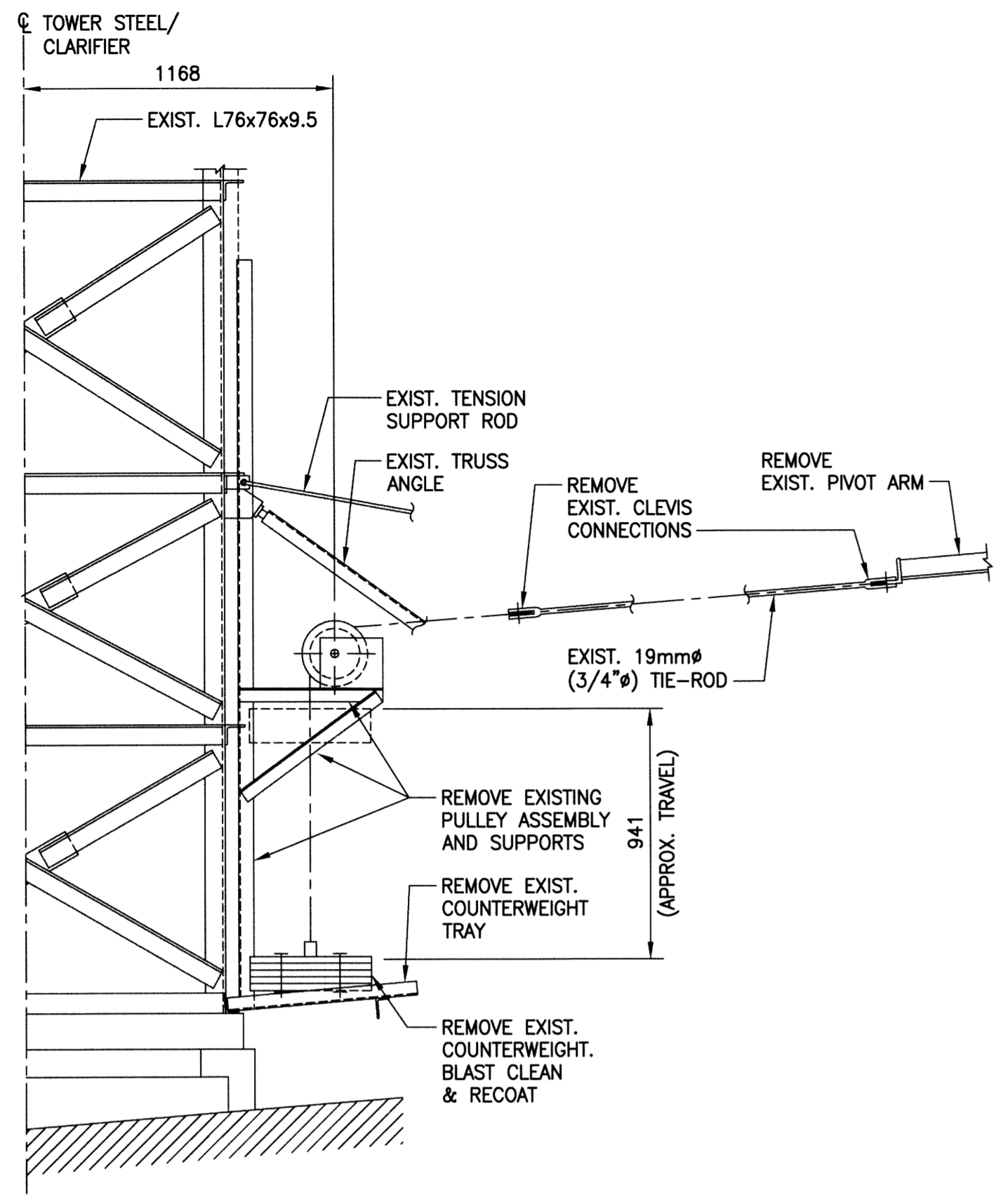
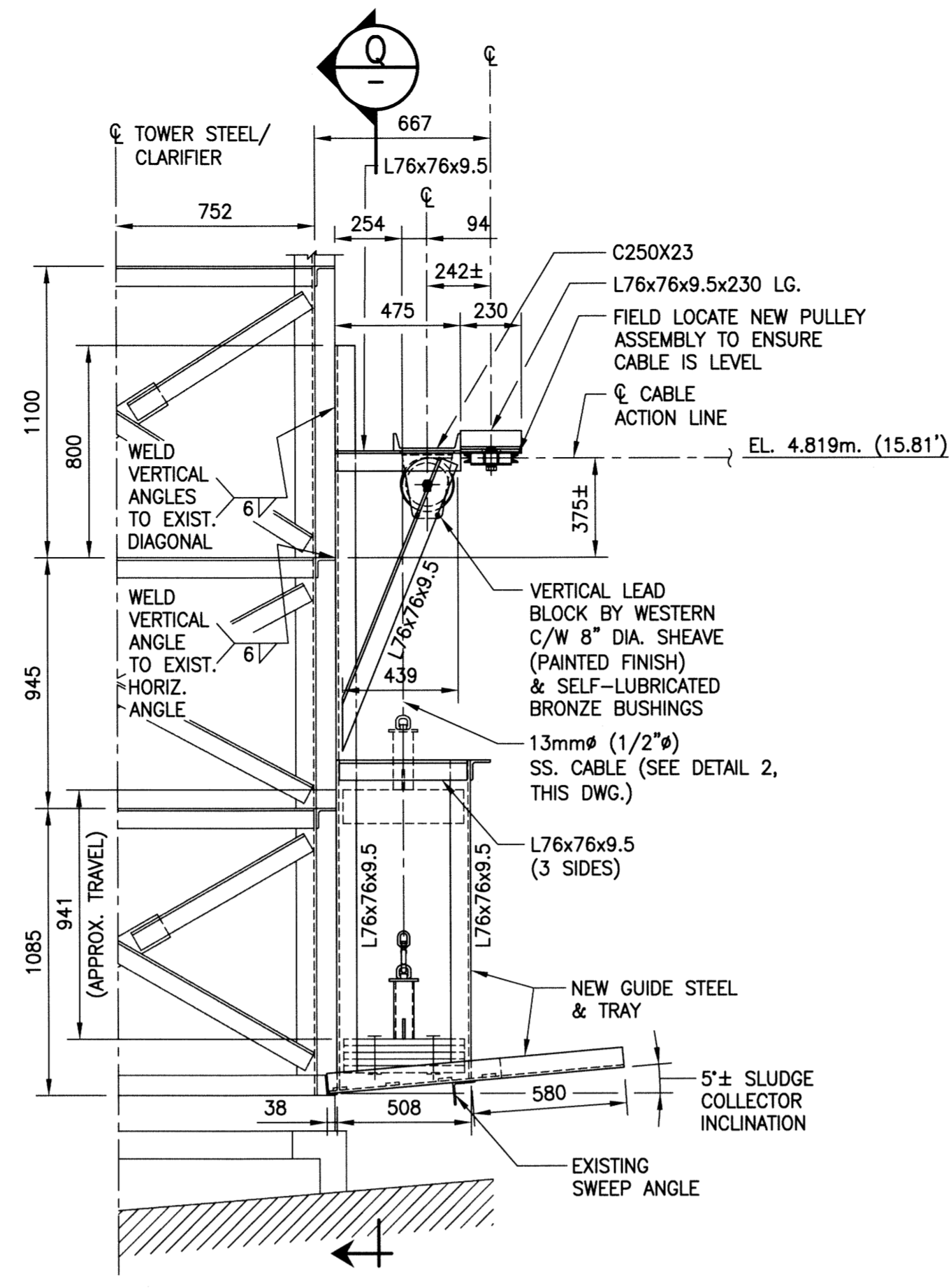


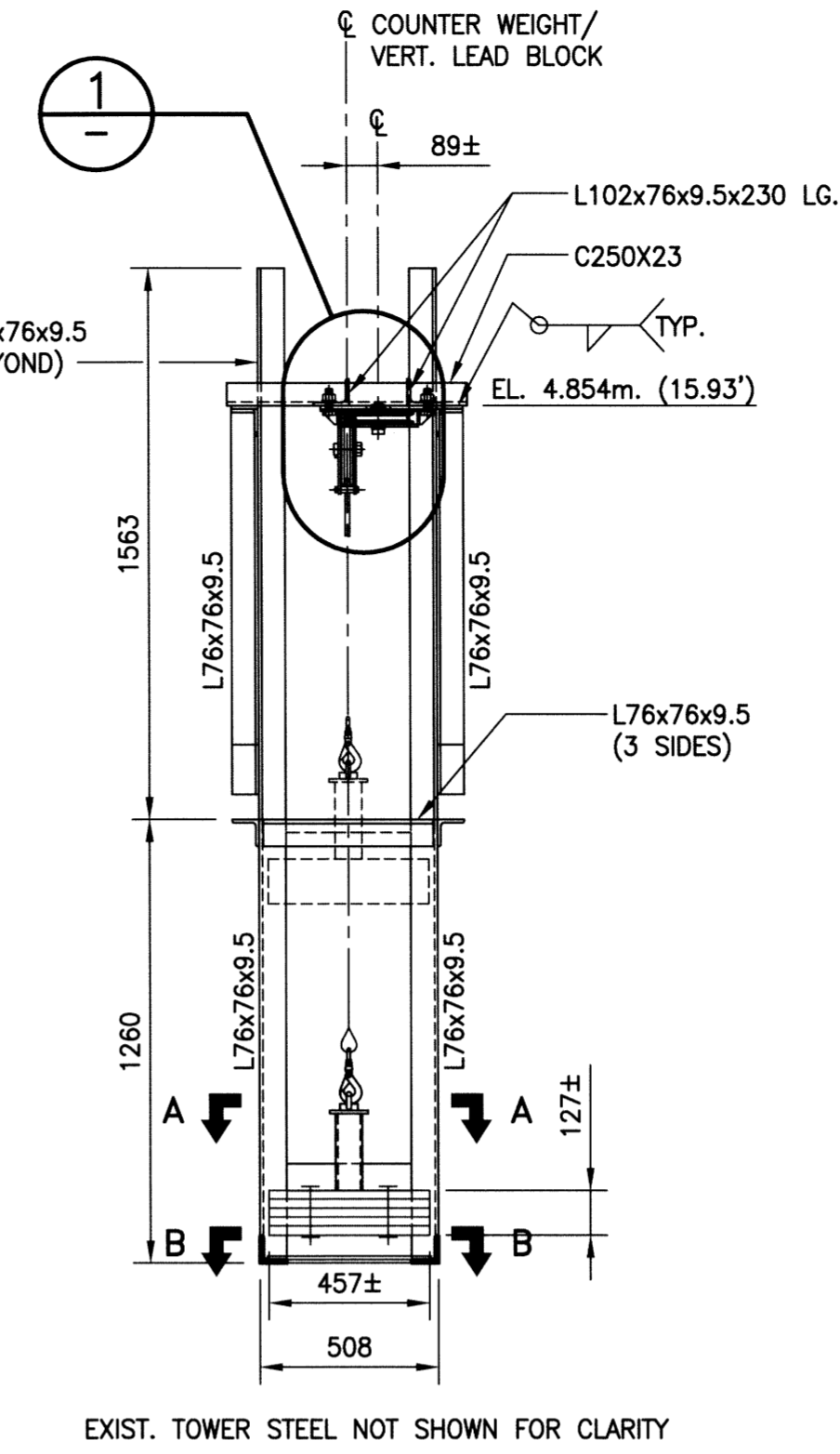
File Name: \\k-file-4\p-data\Projects\2011\11-0107-31\Doc\Control\ToBeIssued\DWG\1-0101S-S0017-001_Rev_0.dwg - Tab: S17 Plotted By: Dderoche 06/13/2013 [Thu 2:11pm]



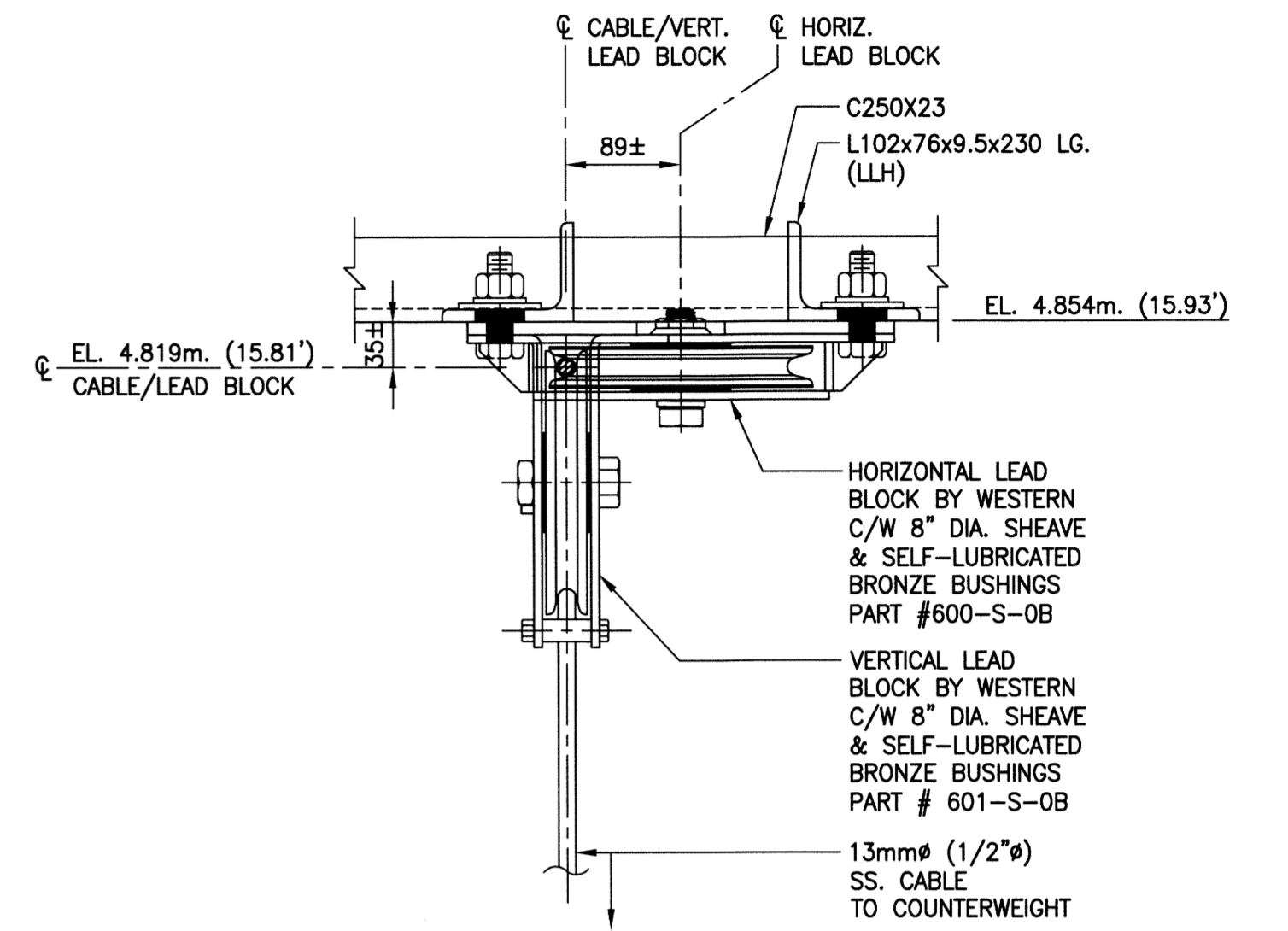
L **DETAIL - COUNTER WEIGHT TRAY (EXIST.)**
SCALE: 1:20



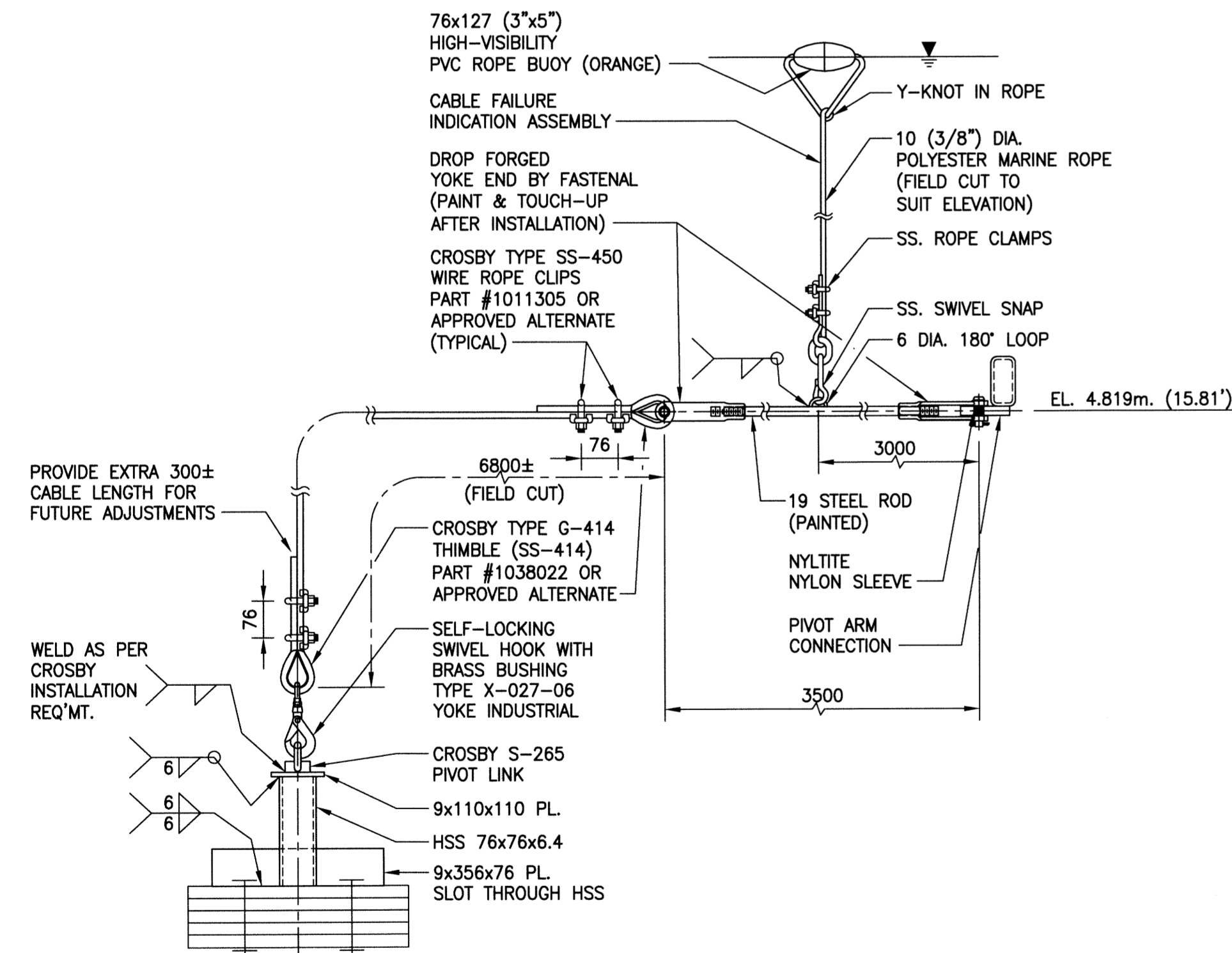
L **DETAIL - COUNTER WEIGHT TRAY (NEW)**
SCALE: 1:20



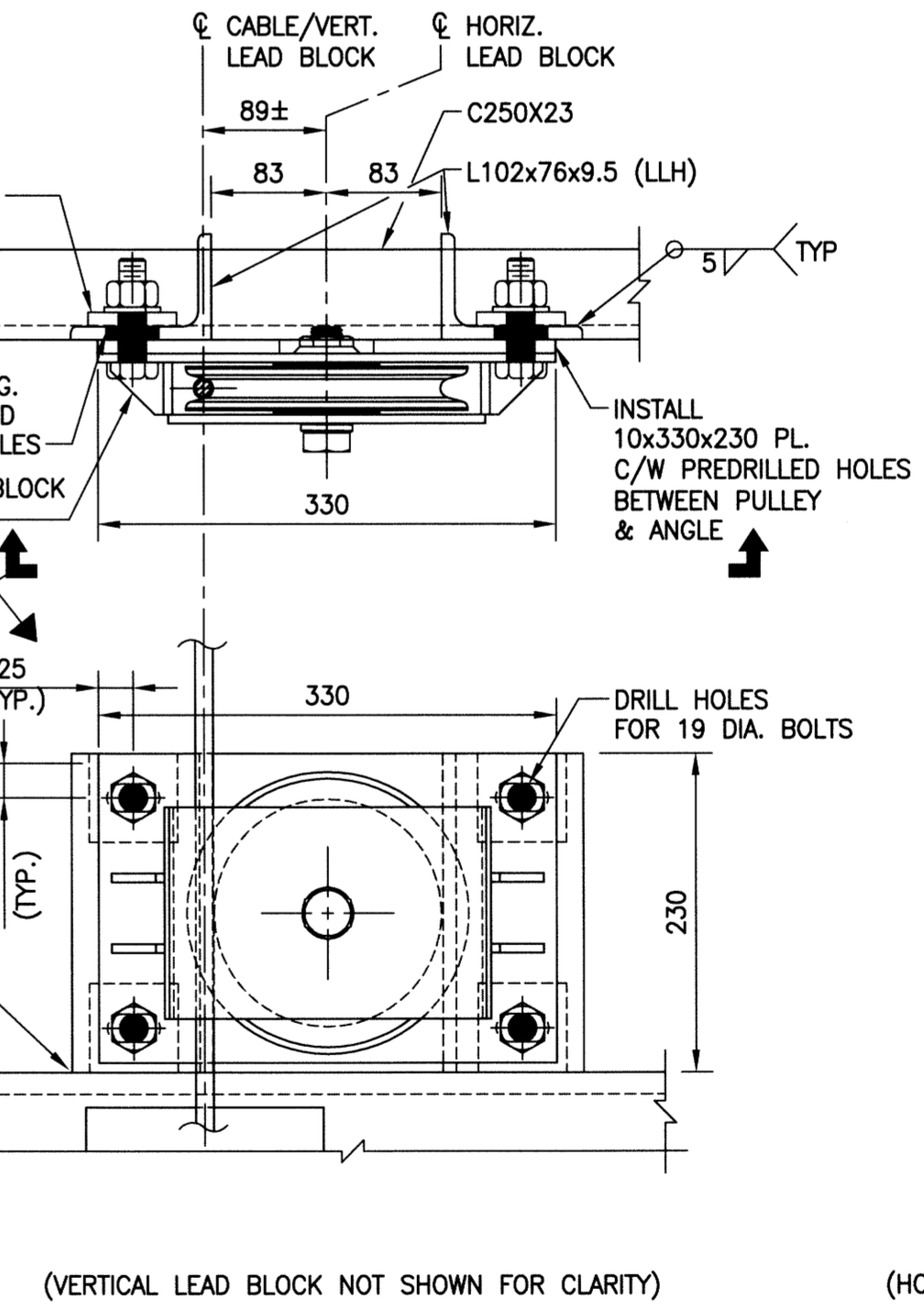
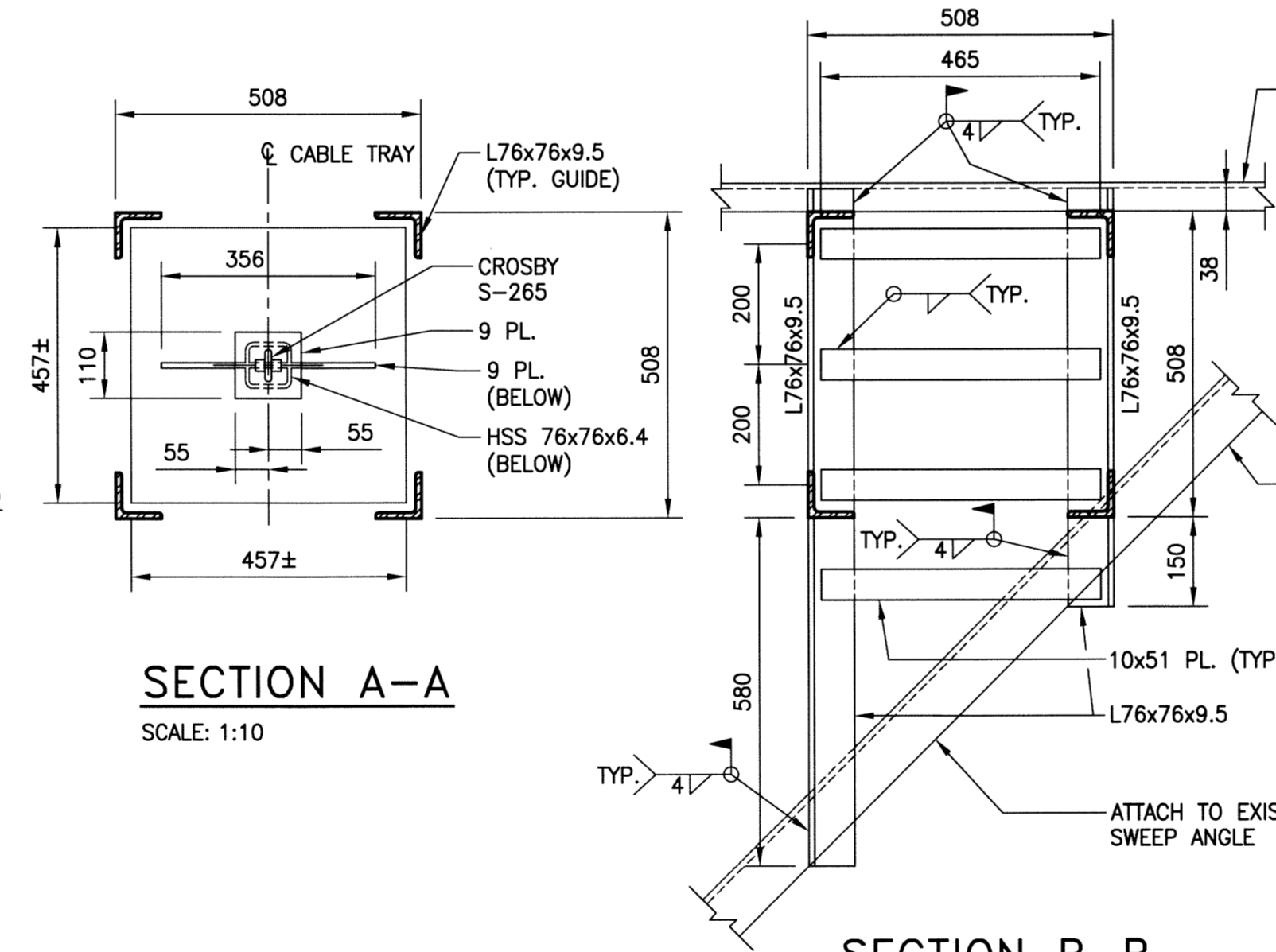
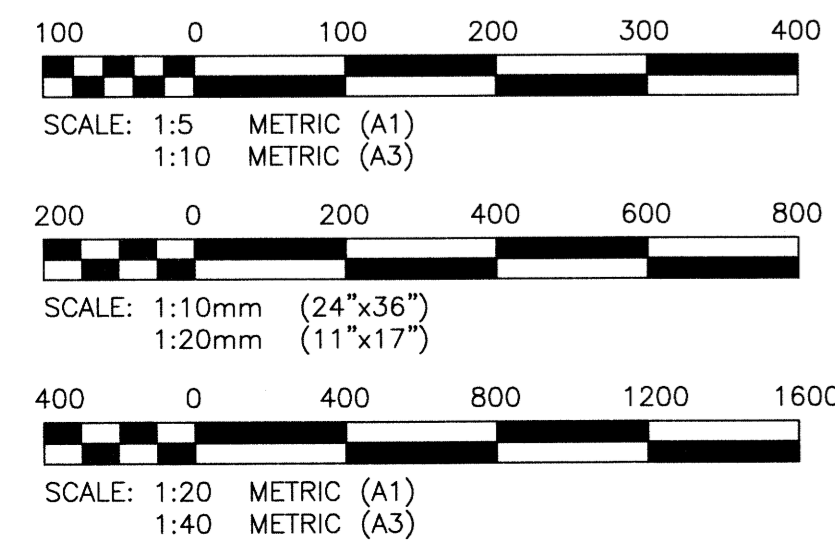
Q **SECTION**
SCALE: 1:20



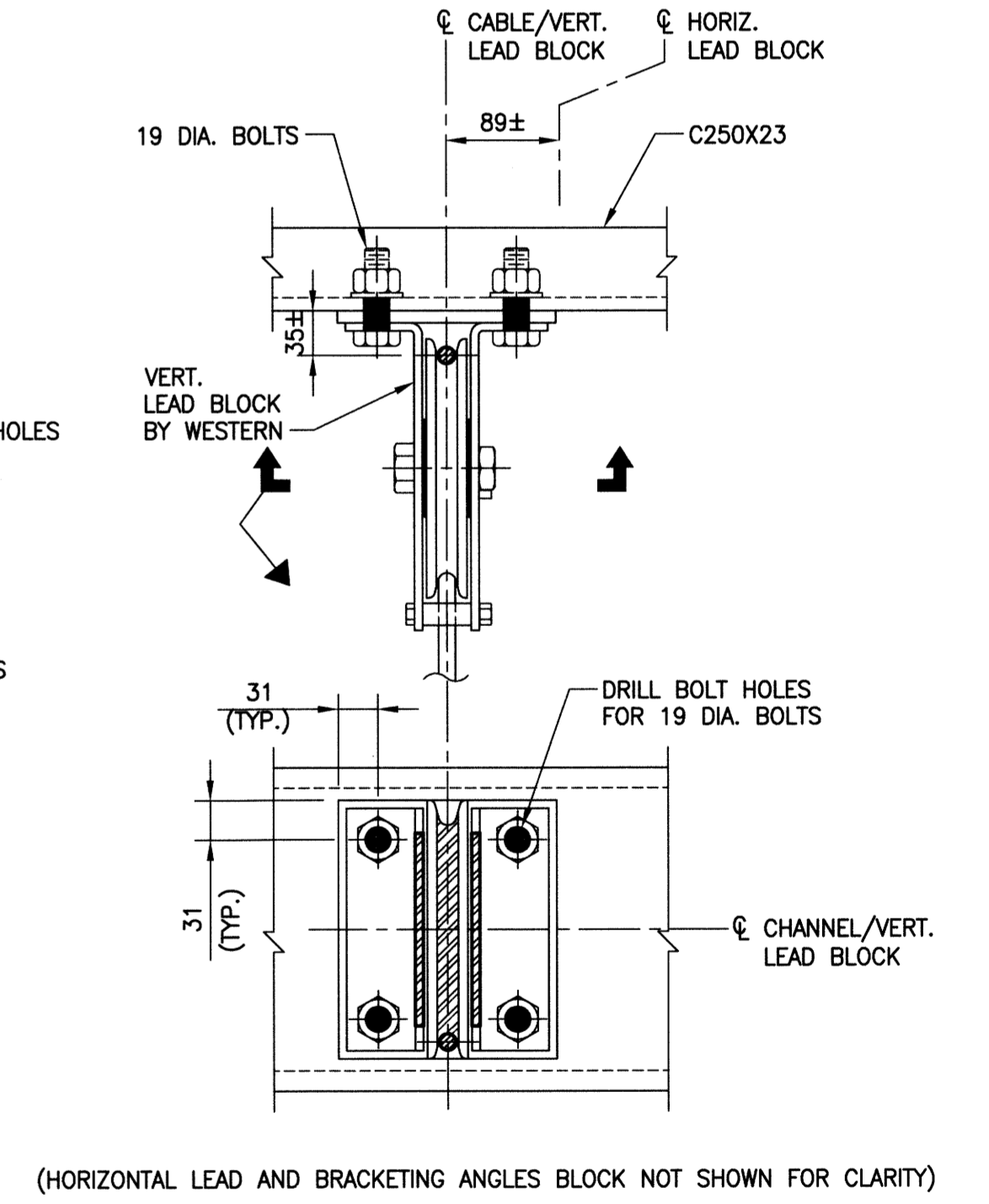
1 **DETAIL - PULLEY ASSEMBLY**
SCALE: 1:5



2 **DETAIL - COUNTER WEIGHT CONNECTION**
SCALE: 1:10



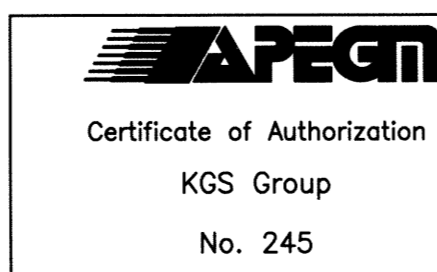
1A **DETAIL**
SCALE: 1:5



1B **DETAIL**
SCALE: 1:5

NOTES:

- WORK THIS DRAWING IN COMBINATION WITH THE PROJECT SPECIFICATIONS.
- REFER TO DWG. S12 FOR GENERAL NOTES.
- REPAIR LOCATIONS, DIMENSIONS AND QUANTITIES ARE APPROXIMATE AND ARE TO BE FIELD CONFIRMED BY THE CONTRACTOR AND APPROVED BY THE CONTRACT ADMINISTRATOR.



FIELD BOOK #	
POSTED TO LBIS	
DESIGNED BY	KRD
CHECKED BY	CMS
DRAWN BY	FBV
APPROVED BY	
HDR. SCALE	AS NOTED
VERTICAL SCALE	AS NOTED
ISSUED FOR CONSTRUCTION	13/06/13
DATE	2013 04 18
NO. REVISIONS	DATE BY

KGS GROUP
 CONSULTING ENGINEERS
 ENGINEER'S SEAL
 C.M. SIEPMAN
 Member
 20813
 RELEASED FOR CONSTRUCTION
 DATE

S17

THE CITY OF WINNIPEG
 WATER AND WASTE DEPARTMENT
 NEWPCC
 SECONDARY CLARIFIERS 1 TO 6 REHABILITATION
COUNTERWEIGHT ASSEMBLY
 SECTIONS & DETAILS
 SHEET 7 OF 9
 CITY DRAWING NUMBER
 1-0101S-S0017-001