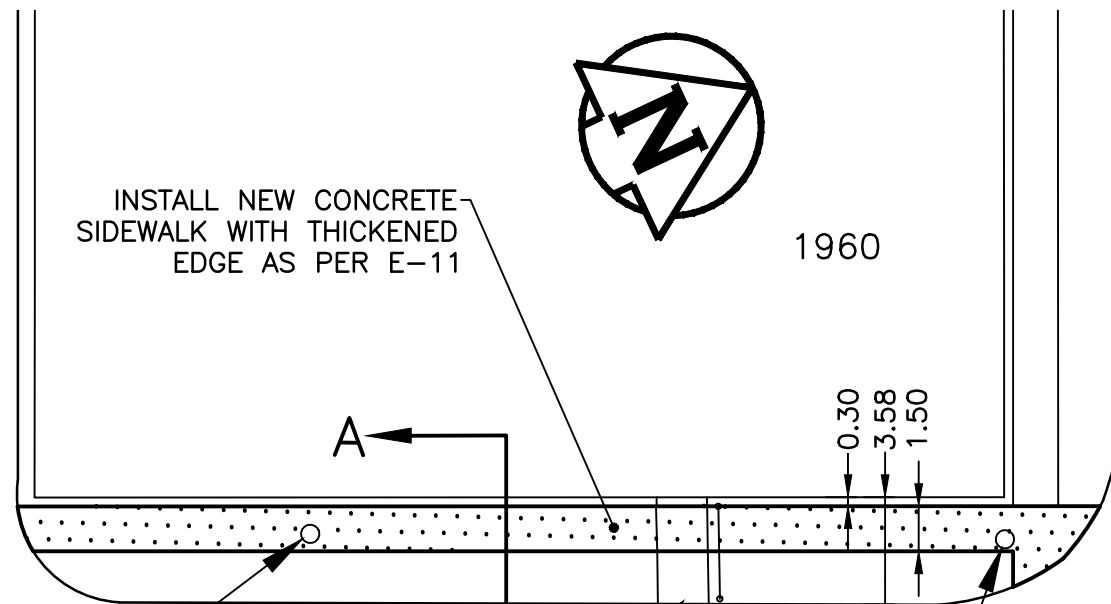
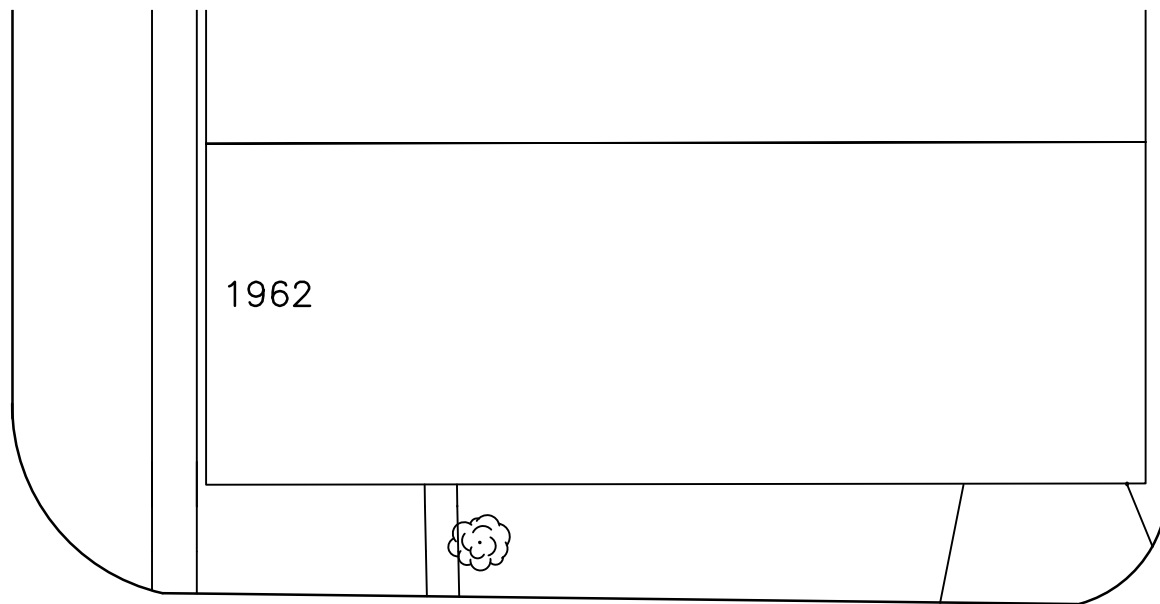


BANNATYNE AVENUE WEST



WILLIAM AVENUE WEST

ODDY STREET

ADJUST MANHOLE TO GRADE

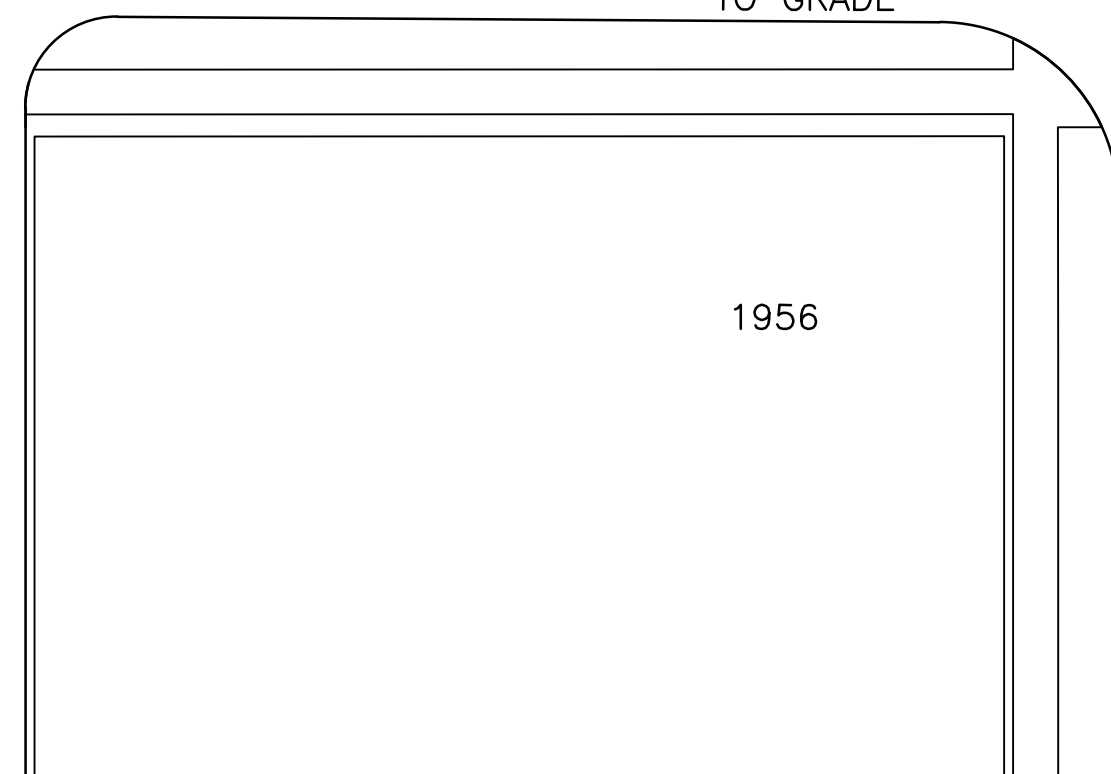
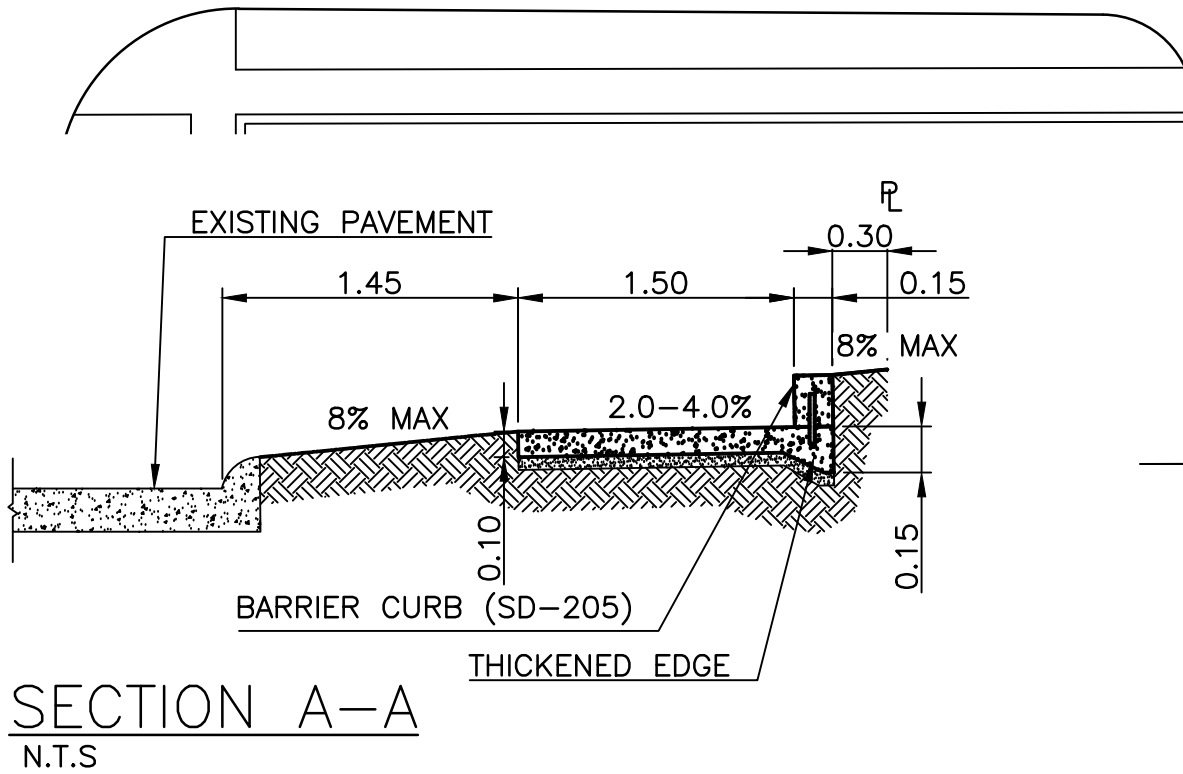
REMOVE EXISTING WALK AND HANDRAIL

ADJUST MANHOLE TO GRADE

INSTALL NEW CONCRETE SIDEWALK WITH THICKENED EDGE AS PER E-11

1960

0.30
3.58
1.50



1956



THE CITY OF WINNIPEG
PUBLIC WORKS DEPARTMENT
ENGINEERING DIVISION
TECHNOLOGY SERVICES BRANCH
106 - 1155 PACIFIC AVE

ODDY STREET

FROM BANNATYNE AVENUE WEST TO WILLIAM AVENUE WEST
NEW SIDEWALK AND ASSOCIATED WORKS

DATE:
2013-07-23

DRAWING NO.
SE-13-51

DRAWN BY:
C.H.

SCALE:
N.T.S.