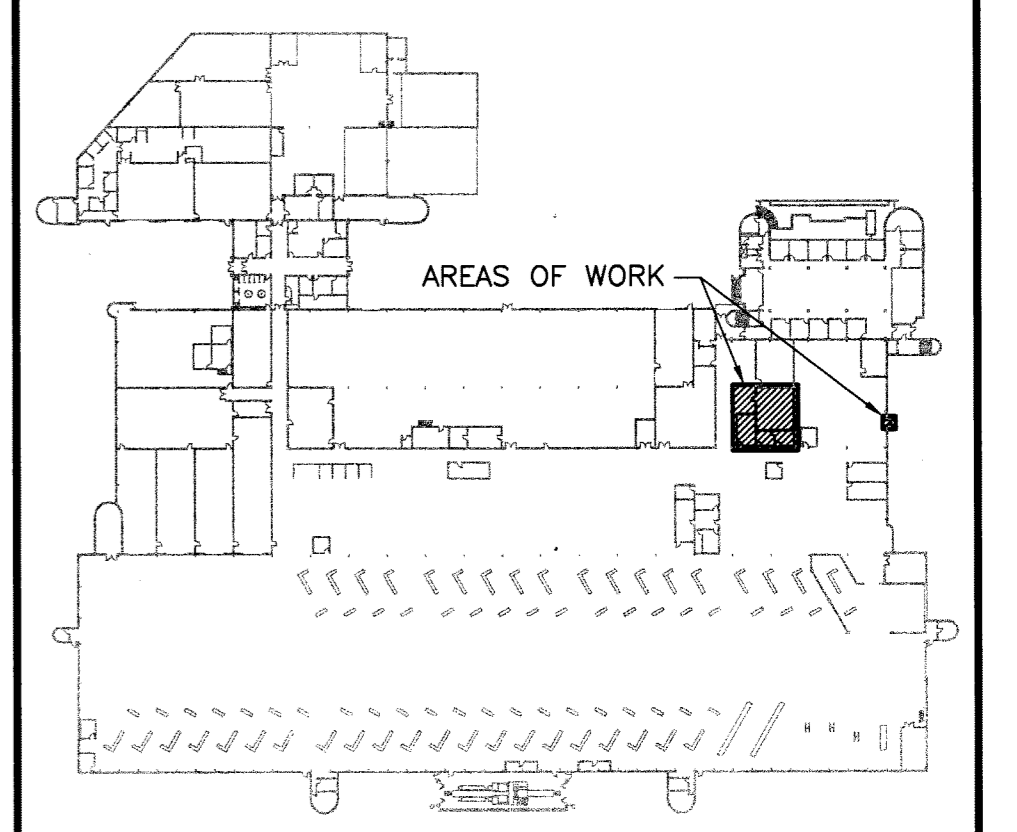
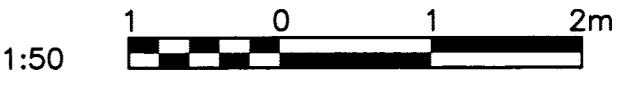


| REFERENCE DRAWINGS | |
|--------------------|-------------|
| NO. | DESCRIPTION |
| | |
| | |
| | |
| | |
| | |
| | |
| | |
| | |
| | |
| | |

NOTE:
REFER TO DRAWING S0002 FOR GENERAL NOTES.



KEY PLAN

| NO. | DATE | DESCRIPTION | PREPARED | REVIEW | DESIGN | AUTHORIZED |
|-----|----------|-------------------------|----------|--------|--------|-------------|
| 00 | 13.06.27 | ISSUED FOR CONSTRUCTION | EV | CM | CM | [Signature] |

| | | |
|-------------------------------|--------------------|--------------------|
| DESIGNED BY: CM | PREPARED BY: EV | REVIEWED BY: CM |
| AUTHORIZED BY: [Signature] | DATE: 13.05.14 | SCALE: AS NOTED |

PROVINCE OF MANITOBA
C.P. MOTA
Member
24320
REGISTERED PROFESSIONAL ENGINEER

APEGM
Certificate of Authorization
TETRA TECH WEI Inc.
No. 5313 Date: April 30, 2014

THE CONTENT OF THIS DOCUMENT IS NOT INTENDED FOR THE USE OF, NOR IS IT INTENDED TO BE RELIED UPON BY ANY PERSON, FIRM OR CORPORATION OTHER THAN THE CLIENT AND TETRA TECH WEI INC. (Tetra Tech). TETRA TECH WEI INC. (Tetra Tech) DENIES ANY LIABILITY WHATSOEVER TO OTHER PARTIES FOR DAMAGES OR INJURY SUFFERED BY SUCH THIRD PARTY ARISING FROM THE USE OF THIS DOCUMENT BY THEM, WITHOUT THE EXPRESSED WRITTEN AUTHORITY OF TETRA TECH WEI INC. (Tetra Tech) AND OUR CLIENT. THIS DOCUMENT IS SUBJECT TO FURTHER RESTRICTIONS IMPOSED BY THE CONTRACT BETWEEN THE CLIENT AND TETRA TECH WEI INC. (Tetra Tech) AND THESE PARTIES PERMISSION MUST BE SOUGHT REGARDING THIS DOCUMENT IN ALL OTHER CIRCUMSTANCES.

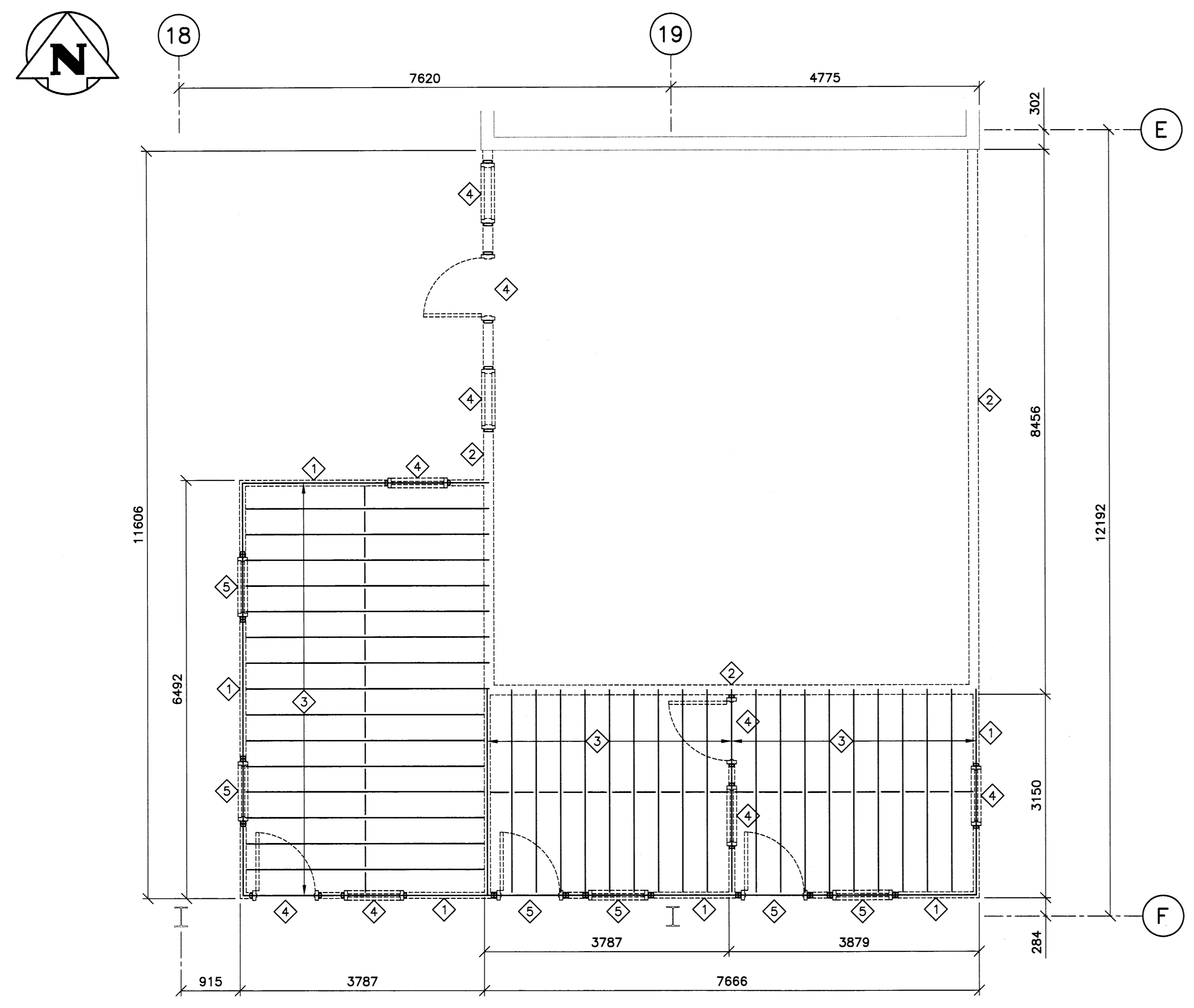
CLIENT:
**CITY OF WINNIPEG
TRANSIT DEPARTMENT**

TETRA TECH

PROJECT NAME:
**ELECTRICAL SECTION RENOVATION AT THE
WINNIPEG TRANSIT GARAGE, 421 OSBORNE STREET**

DRAWING DESCRIPTION:
**STEEL STUD FRAMING PLAN,
AND DETAILS**

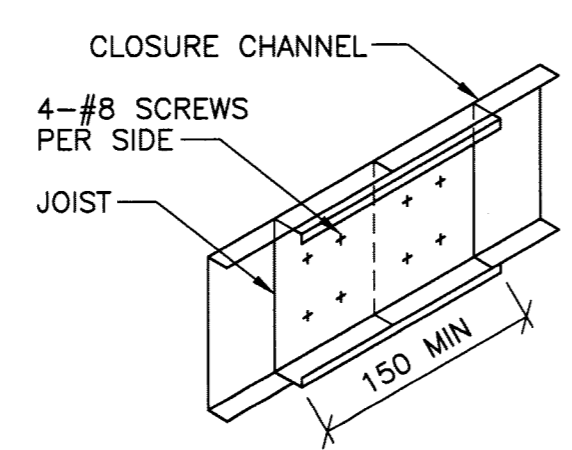
| | |
|-------------------------------------|------------|
| DRAWING NO. 1329720200-DWG-S0001 | REV. 00 |
|-------------------------------------|------------|



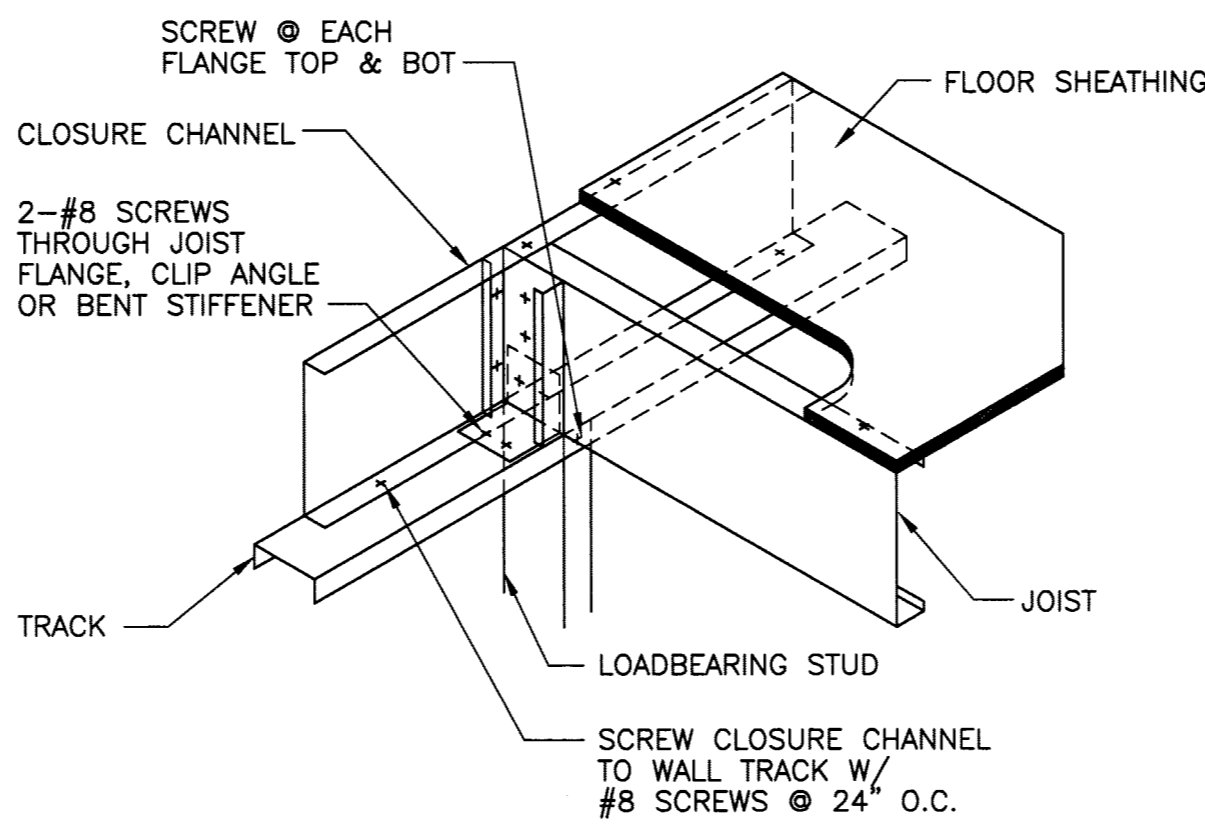
1 STEEL STUD FRAMING PLAN
1 : 50

COLD FORM STEEL FRAMING:

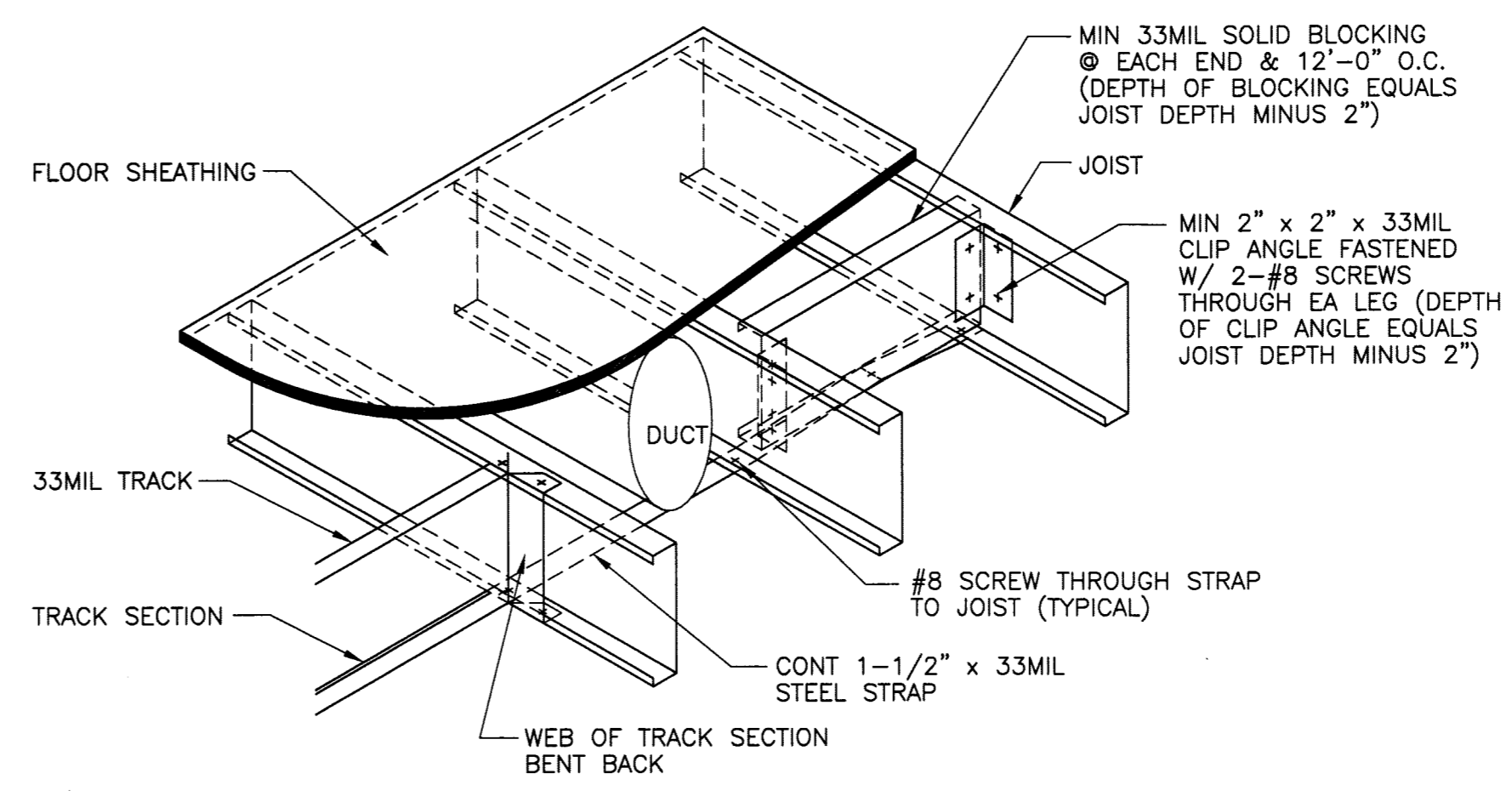
- ① 92 DP WITH 40 FLANGE X 1.09 THK STEEL STUDS @ 400 O.C.
- BRACE @ 1200mm MAX
(LINE UP UNDER CEILING STUDS)
- ② 152 DP WITH 40 FLANGE X 0.84 THK STEEL STUDS @ 400 O.C.
- BRACE @ 1200mm MAX
- ③ 203 DP WITH 51 FLANGE X 1.37 THK CEILING STUDS @ 400 O.C.
- BRIDGE OR BLOCKING MIDSPAN
- ④ PROVIDE DOUBLE RIM JOISTS OVER AND DOUBLE NESTED STUDS EACH SIDES OF DOORWAY/WINDOW
- ⑤ PROVIDE TWO NESTED STUDS EACH SIDE OF DOORWAY/WINDOW



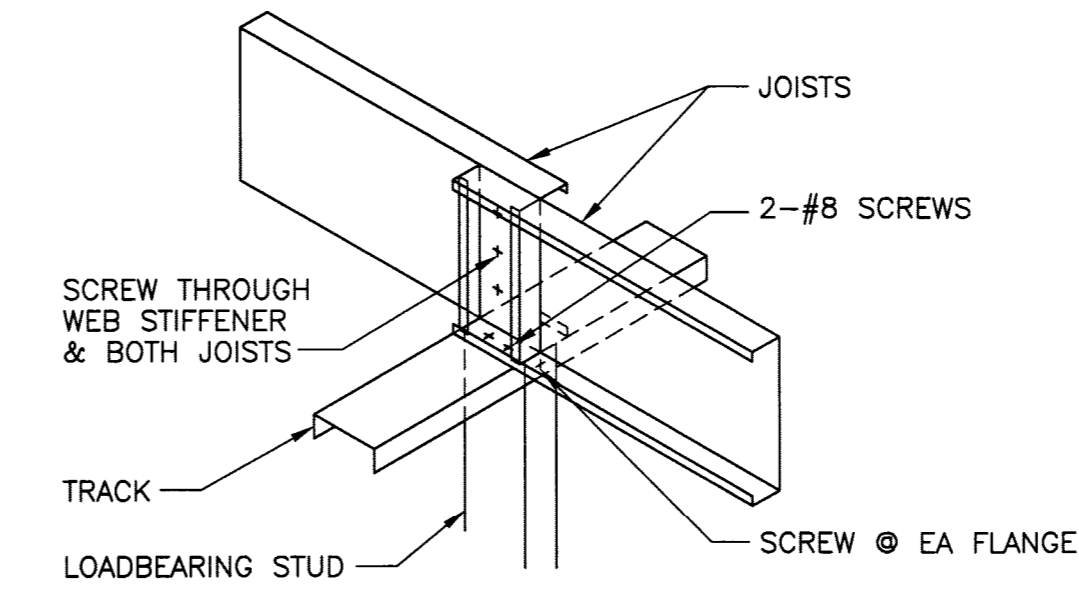
5 CLOSURE CHANNEL SPLICE
N.T.S.



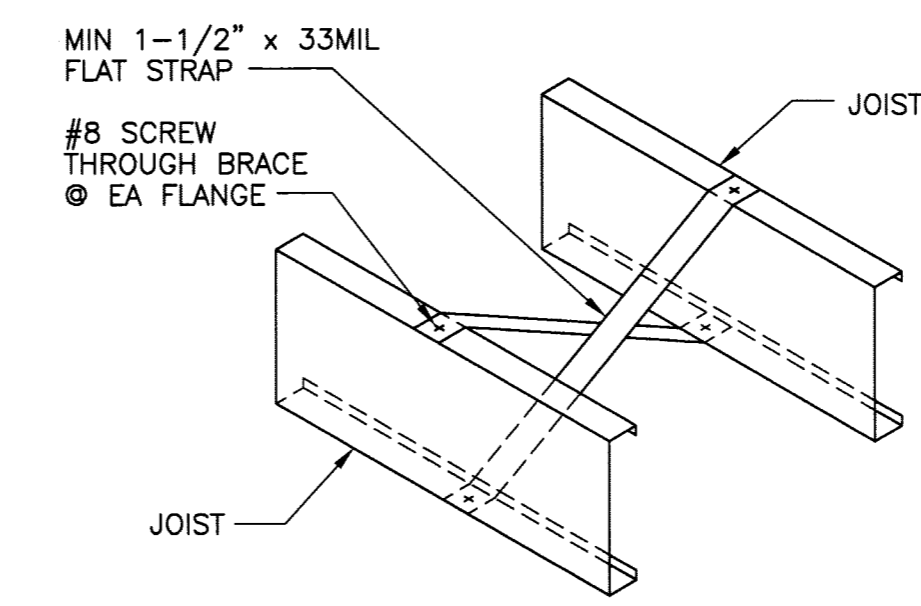
6 JOIST DETAIL AT EXTERIOR WALL
N.T.S.



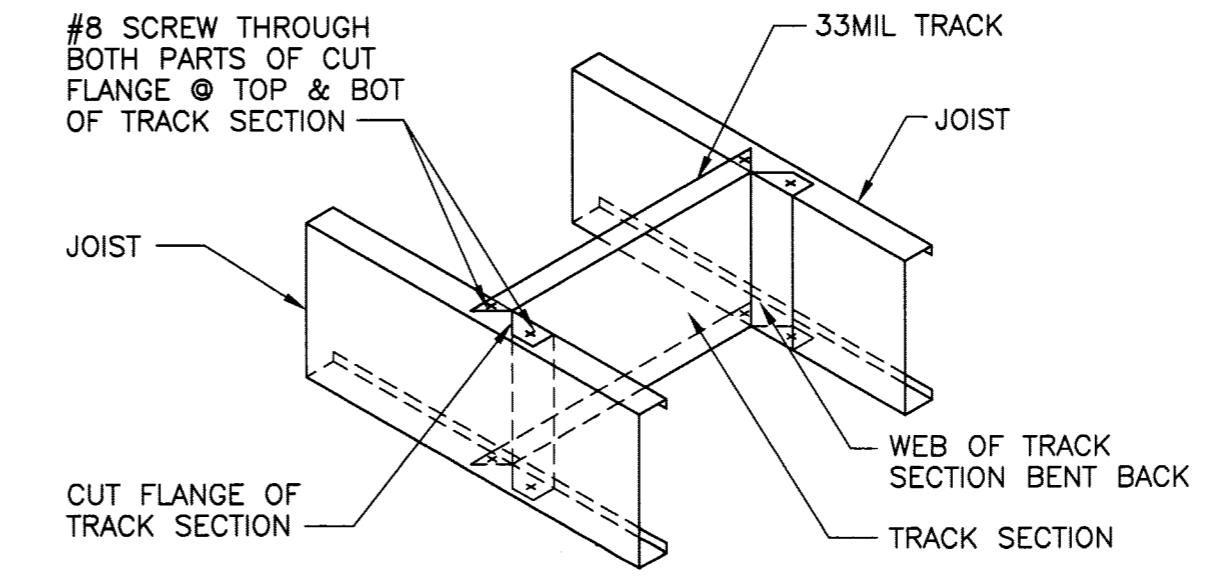
2 BLOCKING DETAIL AT MECHANICAL DUCTS
N.T.S.



3 LAPPED JOISTS ON LOADBEARING STUD WALL
N.T.S.



4 JOIST BLOCKING (STRAP)
N.T.S.



7 JOIST BLOCKING
N.T.S.